

# Dinamička adaptivna zaštita distributivnih mreža primjenom metoda inteligentnoga pretraživanja

---

Tošić, Josip

Doctoral thesis / Disertacija

2023

*Degree Grantor / Ustanova koja je dodijelila akademski / stručni stupanj:* **University of Zagreb, Faculty of Electrical Engineering and Computing / Sveučilište u Zagrebu, Fakultet elektrotehnike i računarstva**

*Permanent link / Trajna poveznica:* <https://urn.nsk.hr/urn:nbn:hr:168:309696>

*Rights / Prava:* [In copyright](#)/[Zaštićeno autorskim pravom.](#)

*Download date / Datum preuzimanja:* **2024-10-09**



*Repository / Repozitorij:*

[FER Repository - University of Zagreb Faculty of Electrical Engineering and Computing repository](#)





Sveučilište u Zagrebu  
FAKULTET ELEKTROTEHNIKE I RAČUNARSTVA

JOSIP TOŠIĆ

**DINAMIČKA ADAPTIVNA ZAŠTITA  
DISTRIBUTIVNIH MREŽA PRIMJENOM METODA  
INTELIGENTNOGA PRETRAŽIVANJA**

DOKTORSKI RAD

Zagreb, 2023.



Sveučilište u Zagrebu  
FAKULTET ELEKTROTEHNIKE I RAČUNARSTVA

JOSIP TOŠIĆ

**DINAMIČKA ADAPTIVNA ZAŠTITA  
DISTRIBUTIVNIH MREŽA PRIMJENOM METODA  
INTELIGENTNOGA PRETRAŽIVANJA**

DOKTORSKI RAD

Mentor: Prof. dr. sc. Ante Marušić

Zagreb, 2023.



University of Zagreb

FACULTY OF ELECTRICAL ENGINEERING AND COMPUTING

JOSIP TOŠIĆ

**DYNAMIC ADAPTIVE PROTECTION FOR  
DISTRIBUTION NETWORKS USING INTELLIGENT  
SEARCH METHODS**

DOCTORAL THESIS

Supervisor: Professor Ante Marušić, PhD

Zagreb, 2023



Doktorski rad izrađen je na Sveučilištu u Zagrebu, Fakultetu elektrotehnike i računarstva,  
na Zavodu za visoki napon i energetiku.

Mentor: Prof. dr. sc. Ante Marušić

Doktorski rad ima: 157 stranica

Doktorski rad br.: \_\_\_\_\_

## O mentoru

**Ante Marušić** rođen je 22. lipnja 1952. godine u Dubrovniku Osnovnu školu i srednju tehničku školu polazio je u Dubrovniku Diplomirao je Elektrotehničkom fakultetu Sveučilišta u Zagrebu na smjeru Elektroenergetika 1976. godine Magistrirao je 1986. g obranom teze: "Analiza algoritama digitalne distantne zaštite visokonaponskih vodova". Za navedenu magistarsku tezu dobio je iste godine u Ljubljani (SLO) nagradu "Prof. dr. Vratislav Bedjanič". Doktorsku disertaciju pod naslovom: "Analiza zaštite sinkronog generatora pri prijelaznim asinkronim stanjima" uspješno brani na ETF u Zagrebu 1994. godine. Od 1977. radi kao asistent u Zavodu za visoki napon i energetiku ETF-a u Zagrebu, od 1995. kao docent, u prosincu 2000. izabran je u zvanje izvanrednog profesora, a u siječnju 2006. u zvanje redovitog profesora. Do sada je kao nastavnik uspješno vodio mnoge diplomske i magistarske radove te nekoliko doktorskih disertacija. Sudjelovao je u izvođenju dodiplomske nastave na Tehničkom fakultetu u Rijeci, te poslijediplomske nastave na Elektrotehničkom fakultetu u Osijeku i Fakultetu elektrotehnike u Tuzli, BIH. Kao predavač, sudjeluje u predavanjima na raznim seminarima u organizaciji ETF - Zagreb, EDZ - Zagreb, HD MIPRO - Rijeka, HO CIGRÉ – Zagreb i HO CIRED – Zagreb.

## About the Supervisor

**Ante Marušić** was born on June 22, 1952 in Dubrovnik. He attended primary and secondary technical school in Dubrovnik. He graduated from the Faculty of Electrical Engineering, University of Zagreb with a degree in Electrical Engineering in 1976. digital remote protection of high voltage lines ". In the same year in Ljubljana (SLO) he received the "Prof. Dr. Vratislav Bedjanič" award for this master's thesis. Doctoral dissertation entitled: "Analysis of the protection of a synchronous generator in transient asynchronous states" in the ETF dam-successful Zagreb in 1994. Since 1977 he has been working as an assistant at the Institute for High Voltage and Energy of the ETF in Zagreb, since 1995 as an assistant professor, in December 2000 he was elected associate professor, and in January 2006 full professor. So far, as a teacher, he has successfully led many graduate and master's theses and several doctoral dissertations. He participated in undergraduate classes at the Technical Faculty in Rijeka, and postgraduate classes at the Faculty of Electrical Engineering in Osijek and the Faculty of Electrical Engineering in Tuzla, BIH. As a lecturer, he participates in lectures at various seminars organized by ETF - Zagreb, EDZ - Zagreb, HD MIPRO - Rijeka, HO CIGRÉ - Zagreb and HO CIRED - Zagreb.

## **Zahvale**

*Zahvaljujem se mentoru prof. dr. sc. Anti Marušiću na pomoći, savjetima i strpljenju tijekom izrade ovog rada.*

*Zahvaljujem se svojoj obitelji na strpljenju, ljubavi i beskrajnoj potpori.*

## Sažetak

U ovom doktorskom radu biti će istražena primjena naprednih metoda upravljanja i zaštite distributivnih mreža. Zbog razvoja i učestalih promjena u distribucijskoj mreži, potrebno je unaprijediti postojeće metode. Cilj ovoga istraživanja je razviti metode i algoritme koji imaju sposobnost automatizirati procese vođenja i zaštite u mreži na optimalan način i time skratiti vrijeme bez napajanja. Primjenom metoda inteligentnog pretraživanja razviti će se metoda adaptivne zaštite u okviru naprednih mreža. Predložiti će se novi algoritam za rješenje problema optimalne koordinacije i udešenje adaptivne zaštite, te algoritam za optimalnu rekonfiguracije mreže. Na osnovu rezultata algoritma optimalne koordinacije zaštite i algoritma optimalne rekonfiguracije mreže, predložit će se model dinamičke adaptivnosti zaštite i algoritam samo-obnavljajuće mreže za zaštitu i vođenje srednjenaponskih mreža u stvarnom vremenu. Na izrađenom laboratorijskom modelu napredne mreže napraviti će se simulacije primjene adaptivne zaštite i samoobnavljajuće mreže u različitim pogonskim uvjetima. Primjenom adaptivne zaštite povećava se selektivnost zaštite i raspoloživost sustava, te da se smanjuje vrijeme trajanja i učestalost prekida, i vrijeme isklopa zaštite.

**Ključne riječi:** napredna distribucijska mreža, smart grid, upravljanje po dubini mreže, adaptivna zaštita, samo-obnavljajuća mreža, optimizacija, roj čestica, umjetne neuronske mreže, IEC 61850, HEP Koprivnica

---

# **DYNAMIC ADAPTIVE PROTECTION FOR DISTRIBUTION NETWORKS USING INTELLIGENT SEARCH METHODS**

In recent years, we have witnessed great changes in the power sector. From the once centralized and vertically integrated systems that used a small number of power plants of large production, to today when a large number of producers of all sizes are represented on the market, many of them are based on renewable sources. The trend is to decentralize production as well as consumption. At the same time, the changes were accompanied by communication and digital technology, which enable new opportunities in the electric power system (EES), but also raise possible problems with the security of access to the system and exposure to cyber security problems. In the form of EU goals and requirements for climate change, the energy sector plays a key role in the integration of renewable sources and the inclusion of customers as active participants in the network. These trends require a comprehensive approach to the problem of electricity supply. It is necessary to satisfy technical, economic and political objectives.

Traditional technical solutions will not be able to follow all the changes in power systems. It is necessary to apply new modern solutions based on communication technologies and digitalization. By applying smart grid technologies, it is possible to run the power system in a more efficient way, enable the integration of renewable energy resources in the greatest possible number, but at the same time maintain the stability of the system and the quality of the electricity supply. This is precisely why it is important to manage the power system in an efficient manner, minimize unnecessary power interruptions and provide the highest quality electricity supply.

Modern life in the 21st century requires electricity supply in every place, at every time, with a high quality supply. Digital transformation, decarbonization of economies and environmental protection policy are the direction of the energy transition of modern societies. The energy transition is based on the following goals: decarbonization, decentralization and digitalization. In each of these goals, the influence on the operations of distribution system operators, as well as their role as mediators in the transformation towards an advanced network, is highlighted. Decarbonization requires the massive integration of renewable energy sources, which are already drastically changing the distribution network by introducing two-way power flows, the demand for better monitoring and management, the need for flexibility, etc. Decentralization will increase the role of system operators, who will have to integrate different distributed sources, such as rooftop solar power plants, electric vehicles, home battery systems, smart heat pumps into their distribution network. Finally, digitalization provides the final impetus for overall system optimization by integrating different energy sectors, enabling producers and consumers to actively participate in energy markets and enabling better coordination of transmission and distribution

---

system operators.

One of the key roles in the transition is played by distribution system operators (DSO), who are responsible for delivering electricity to end customers. As part of the legislative package Clean Energy (EU Clean Energy Package - CEP) for all members of the European Union, system operators play an important role in the European energy market, but also as innovators who initiate the transition of the energy system towards a more sustainable future. Due to the fact that electricity consumption is increasing year by year, the share of distributed generation in the network is increasing, and that the regulatory conditions on the quality and reliability of supply are becoming stricter, distribution system operators are under increasing pressure to keep the network stable with as few interruptions as possible. In case of impossibility of energy delivery due to interruptions in the network, financial penalties are possible for operators, and at the same time critical consumers may be left without network power (eg hospitals, military facilities, data centers, etc.).

Electric power systems in the past were centralized and vertically organized, the flow of energy and information was one-way, from large centralized power plants, through the transmission network to consumers in the distribution network. Only one principle prevailed: production follows consumption. Today, in the midst of the energy transition, a lot is changing in the energy sector. Energy from RES is produced in a decentralized manner, power and information flows are two-way, the electricity market is developing rapidly. Energy is most often delivered to the medium and low voltage network, and in some cases directly to the high voltage network. As one of the main characteristics of RES is their stochastic nature, this has a major impact on grid management.

In the future, electricity consumption will follow production (unlike today). One example is electric cars, which are charged overnight at a time when the cheapest electricity is produced from wind farms. This means a complete change of the previous concept. Two-way energy flow and two-way communication replace the previous principles. Therefore, it is necessary to develop a new approach, and new intelligent and flexible solutions for network protection and management.

Energy production and use contribute more than 75% of greenhouse gas emissions in the EU. Decarbonization of the EU energy system is one of the EU's goals until 2030 in the climate change package and the long-term strategy for the EU to become carbon-neutral by 2050. The goals and strategy of the EU are clearly defined in the document European Green Deal (EGD) [1].

Some of the main goals of the EU that will define the trends in the energy sector are:

- 
- build a unique connected energy system and modern infrastructure
  - to suppress energy efficiency and the design of environmentally friendly products and solutions
  - decarbonization of the gas sector
  - development of offshore wind farms in Europe

The EGD, presented at the end of 2019, provides a blueprint for climate, energy and environmental activities for the years to come. It is a comprehensive strategy that includes not only the reduction of net CO<sub>2</sub> emissions by 2050, but separates economic growth from the use of natural resources and aims to achieve a transition that is sustainable not only for the environment but also for society. Clean energy and sustainable mobility are two of the ten main goals set out in the EGD, and European DSOs are key to both goals.

The EGD directive defines a clear role of DSOs as key drivers of innovation in the electricity market. Apart from traditional roles such as ensuring the reliability of electricity supply, they are also responsible for integrating renewable energy sources, electric vehicles and distributed sources into the system and setting the appropriate network charge for the same. System operators are already considering advanced technologies to manage their electricity grids, new large-scale distributed renewable energy sources while meeting regulatory constraints.

In the implementation of all EU directives, system operators will have to report and monitor key data and indicators such as: number of customers, network typology (LV, MV, HV), ratio between number of customers and used area, ratio between delivered energy and used area, length of underground cables and overhead lines, reliability indices (SAIDI and SAIFI) and much more.

Some interruptions and failures in the network simply cannot be prevented, but when they occur, it is necessary to minimize the impact on the quality of supply, in such a way that there are as few interruptions as possible in the network, and the duration of interruptions is as short as possible. In order to realize these requirements, a new approach to network management and protection is needed. By applying advanced grid technologies (eng. smartgrid) such as adaptive protection, the grid becomes more stable and adaptable to all conditions in the grid. The duration of interruptions is reduced compared to conventional methods, and new opportunities for optimal network management and protection are introduced.

Relay protection in EES is used to protect the system from malfunctions and potentially dangerous situations. The task of relay protection is to eliminate the fault and isolate the part of the network where it occurred. For protection to work properly, it must be selective, sensitive and reliable. In order to achieve the requested requirements for protection, it is necessary to

---

make a study of the occurrence of protection for each part of the network that wants to be protected. The coordination of protective relays is defined as the process of selecting the settings or time delay characteristics of protective relays in such a way that the operation of the relays will go in a certain order to minimize the impact on network users, the number of interruptions, damage to equipment, potential injuries to people, etc.

The thesis will present the application of adaptive protection methods in the framework of advanced networks. The influence of the static setting of the relay protection on the selectivity of the protection will be determined, and a new algorithm will be proposed for the solution of the problem of optimizing the coordination parameters and the creation of adaptive protection. A model of dynamic protection adaptability and a self-healing network algorithm will be proposed for the protection and management of medium voltage networks in real time. Applying adaptive protection increases the selectivity of the protection and the availability of the system, and reduces the time duration and frequency of interruptions, and the time the protection is switched off.

On the created laboratory model of the advanced network, simulations of the application of adaptive protection and self-healing network in different operating conditions will be made. In cooperation with HEP ODS Elektra Koprivnica, a research simulation will be made on the real part of the network.

The doctoral thesis consists of nine chapters. After the introduction describing the research objectives, the second chapter 2 describes the operation and structure of the classic distribution medium voltage network. An overview of the types and structures of distribution networks is given, and typical failures in the distribution network are described, which have an impact on the operation of the network itself, as well as indicators of power supply reliability. The chapter further describes the method of managing the depth of the network and the influence of distributed sources on the network.

In the third chapter 3 the work of relay protection in the distribution network is described. An overview of traditional protection methods and the impact of static protection on the selectivity and coordination of protective relays is given. The operation of overcurrent protection and time grading are described.

The fourth chapter 4 describes the operation of an advanced distribution network with a high degree of automation. In the network, it is possible to apply adaptive protection in different system architectures. Models of the self-healing network are presented.

In the fifth chapter 5, the optimal coordination algorithm of adaptive protection is presen-



---

ted, which has the ability to optimally coordinate relay protection devices along the radial line using intelligent search methods, using particle swarm methods. The algorithm was tested on the network model, and the results were compared with the results from the literature, which verified the model.

In the sixth chapter 6, the optimal network reconfiguration algorithm is presented, which has the ability to optimally reconfigure the network depending on the given objective functions and constraints, using intelligent search methods. Optimization is done using artificial neural networks. The algorithm was tested on the network model, and the results were compared with the results from the literature, which verified the model.

In the seventh chapter 7, a model of dynamic adaptability of protection is presented, which has the ability to detect and isolate a fault and reconfigure the network with regard to the current state. The model uses both algorithms from chapters 5 and 6 and uses the communication infrastructure to exchange information between the device and the control center. The method was tested on a network model. The results were compared with the results of the laboratory model from the next chapter.

In the eighth chapter 8 the laboratory model of the presented model of dynamic adaptability of protection is described. As part of the research, a laboratory model was developed using "hardware-in-the-loop", that is, using real relay protection devices and simulating the operation of the method. The results were compared with the simulation from chapter 7, which verified the method. Following on from the laboratory model, a real project of the self-healing HEP ODS Elektra Koprivnica network was created, in which the modified MDAZU method was applied. The results of the real tests were compared with the simulation ones, which once again verified the MDAZU method.

In the last ninth chapter 9, concluding considerations on the presented results are presented and an overview of the achieved scientific contributions of the dissertation is given. At the end of the chapter, guidelines for further improvements of the optimization model and future research are given.

In view of the mentioned changes in the EES, one of the goals of this research is to improve the methods of advanced control and protection of the distribution system based on advanced networks and digitalization. The proposed solutions will reduce the time of interruptions in supply and will enable a better supply of electricity for producers and consumers.

The thesis will investigate the application of adaptive protection methods in the framework of advanced networks. The influence of the static setting of the relay protection on the selec-

---

tivity of the protection will be determined, and a new algorithm will be proposed for solving the problem of optimizing the coordination parameters and the occurrence of adaptive protection with regard to different target functions using intelligent search methods. Based on the calculation results, a model of dynamic adaptability of protection and a self-healing network algorithm will be proposed for the protection and management of medium voltage networks in real time. On the created laboratory model of the advanced network, simulations of the application of adaptive protection and self-healing network in different operating conditions will be made. Applying adaptive protection increases the selectivity of the protection and the availability of the system, and reduces the time duration and frequency of interruptions, and the time the protection is switched off.

The goals and contributions of this research are:

- Develop a coordination algorithm for adaptive protection of distribution networks using intelligent search methods. (Chapter 5)
- Develop a control algorithm for the reconfiguration of distribution networks (Chapter 6)
- Develop a method of dynamic protection adaptability with the purpose of improving the reliability and availability of distribution networks. By applying the method, it is possible to detect and determine the location of the fault, and automatically isolate the fault and restore the power supply. (Chapter 7)
- Create a laboratory model of an advanced network for verification of the model of dynamic adaptability of the protection of distribution networks. (Chapter 8)

**Keywords:** smart distribution network, remote control, adaptive protection, self-healing grid, optimization, particle swarm, artificial neural networks, IEC 61850, HEP Koprivnica

# Sadržaj

<b>1. Uvod</b>	<b>1</b>
1.1. Trendovi i promjene u EES	.1
1.2. Motivacija	.4
1.3. Cilj istraživanja	.5
<b>2. Distribucijska srednjenaponska mreža</b>	<b>7</b>
2.1. Uvod	.7
2.2. Srednjenaponska mreža	.7
2.3. Aktivna distribucijska mreža	.14
2.4. Upravljanje po dubini mreže	.15
2.5. Utjecaj distribuirane proizvodnje na mrežu	.19
<b>3. Relejna zaštita u distribucijskoj mreži</b>	<b>25</b>
3.1. Uvod	.25
3.2. Tradicionalna rješenja relejne zaštite	.25
3.3. Utjecaj statičkog podešenja relejne zaštite na selektivnost zaštite	.27
3.4. Koordinacija nadstrujnih releja	.30
3.5. Nadstrujna zaštita i vremensko stupnjevanje	.31

<b>4. Napredna distribucijska mreža</b>	<b>36</b>
4.1. Uvod	.36
4.2. Automatizacija distribucijske mreže	.36
4.3. Adaptivna zaštita	.37
4.4. Arhitektura sustava	.40
4.5. Model samoobnavljajuće mreže	.42
<b>5. Algoritam optimalne koordinacije adaptivne zaštite</b>	<b>48</b>
5.1. Uvod	.48
5.2. Modeliranje karakteristike nadstrujnog releja	.49
5.3. Matematička formulacija problema	.50
5.4. Metode optimizacije i inteligentnog pretraživanja	.52
5.5. Optimizacijska metoda rojem čestica	.54
5.6. Algoritam optimalne koordinacije zaštite	.60
5.7. Simulacija AOKZ algoritma	.62
5.8. Zaključak poglavlja	.67
<b>6. Algoritam optimalne rekonfiguracije mreže</b>	<b>68</b>
6.1. Uvod	.68
6.2. Algoritam optimalne rekonfiguracije mreže	.70
6.3. Matematička formulacija problema	.71
6.4. Algoritam optimalne rekonfiguracije mreže - AORM	.73
6.5. Simulacija AORM algoritma	.75
6.6. Verifikacija	.79

6.7. Zaključak poglavlja . . . . .	.82
<b>7. Metoda dinamičke adaptivnosti zaštite . . . . .</b>	<b>83</b>
7.1. Uvod . . . . .	.83
7.2. Metoda dinamičke adaptivnosti zaštite i upravljanja - MDAZU . . . . .	.84
7.3. Simulacija MDAZU . . . . .	.87
7.4. Zaključak poglavlja . . . . .	.96
<b>8. Laboratorijski model - Samoobnavljajuća mreža HEP Koprivnica . . . . .</b>	<b>98</b>
8.1. Uvod . . . . .	.98
8.2. Simulacijski model – mreža HEP ODS Elektre Koprivnica . . . . .	.98
8.3. Laboratorijski model . . . . .	.101
8.4. Samoobnavljajuća mreža HEP Koprivnica . . . . .	.106
8.5. Ispitivanje i puštanje u rad . . . . .	.117
8.6. Usporedba rezultata . . . . .	.119
8.7. Zaključak poglavlja . . . . .	.120
<b>9. Zaključak . . . . .</b>	<b>121</b>
<b>Literatura . . . . .</b>	<b>125</b>
<b>Životopis . . . . .</b>	<b>145</b>
<b>Biography . . . . .</b>	<b>147</b>

# Poglavlje 1

## Uvod

### 1.1 Trendovi i promjene u EES

Posljednjih godina svjedočimo velikim promjenama u elektroenergetskom sektoru. Od nekad centraliziranih i vertikalno integriranih sustava koji koriste mali broj elektrana velike proizvodnje, do danas kada je na tržištu zastupljeno veliki broj proizvođača svih veličina, mnogi od njih su bazirani na obnovljivim izvorima. Smjer je u decentraliziranju proizvodnje ali i potrošnje. U isto vrijeme promjene je pratila komunikacijska i digitalna tehnologija koja omogućuju nove prilike u elektroenergetskom sustavu (EES), ali isto tako postavljaju moguće probleme sa sigurnosti pristupa sustavu i izlaganju problemima kibernetičke sigurnosti. U vidu EU ciljeva i zahtjeva za klimatskim promjenama, energetska sektor igra ključnu ulogu u integraciju obnovljivih izvora i uključivanju kupaca kao aktivnih sudionika u mreži. Ovi trendovi nalažu sveobuhvatni pristup problemu opskrbe električnom energijom. Potrebno je zadovoljiti tehničke, ekonomske i političke ciljeve.

Tradicionalna rješenja neće moći pratiti sve promjene u EES. Potrebno je primijeniti nova moderna rješenja bazirana na komunikacijskim tehnologijama i digitalizaciji. Primjenom tehnologija naprednih mreža (eng. Smart grid) moguće je voditi EES na efikasniji način, omogućiti integraciju OIE u što većem broju, ali pri tome zadržati stabilnost sustava i kvalitetu opskrbe električnom energijom. Upravo je zato bitno na efikasan način upravljati EES, minimizirati nepotrebne prekide napajanja i pružiti što kvalitetniju opskrbu električnom energijom.

Moderni život 21. stoljeća zahtjeva električnu energiju na svakom mjestu, u svako vrijeme, uz visoku kvalitetu opskrbe. Digitalna transformacija, dekarbonizacija gospodarstva i politika zaštite okoliša smjer su energetske tranzicije modernih društava. Energetska tranzicija temelji

se na sljedećim ciljevima: dekarbonizaciji, decentralizaciji i digitalizaciji. U svakom od ovih ciljeva istaknut je utjecaj na poslovanje operatora distribucijskog sustava, ali i njihova uloga kao posrednika u transformaciji prema naprednoj mreži. Dekarbonizacija zahtijeva masovnu integraciju obnovljivih izvora energije, koji već drastično mijenjaju distribucijsku mrežu uvođenjem dvosmjernih tokova snaga, zahtjevom za boljim nadzorom i upravljanjem, potrebom za fleksibilnošću itd. Decentralizacija će povećati ulogu operatora sustava, koji će morati integrirati različite distribuirane izvore, kao što su krovne sunčane elektrane, električna vozila, kućne baterijske sustave, pametne dizalice topline u njihovu distribucijsku mrežu. Konačno, digitalizacija daje konačan poticaj za cjelokupnu optimizaciju sustava integriranjem različitih energetske sektora, omogućujući proizvođačima i potrošačima aktivno sudjelovanje na energetskim tržištima i omogućujući bolju koordinaciju operatora prijenosnog i distribucijskog sustava.

Jednu od ključnih uloga u tranziciji imaju operatori distribucijskog sustava (ODS) koji su odgovorni za isporuku električne energije do krajnjih kupaca. Kao dio zakonodavnog paketa Čista energija (eng. EU Clean Energy Package - CEP) za sve članove Europske unije, operatori sustava imaju važnu ulogu na europskom energetskom tržištu, ali i kao inovatori koji pokreću tranziciju energetskog sustava prema održivijoj budućnosti. Zbog činjenice da iz godine u godinu raste potrošnja električne energije, raste udio distribuirane proizvodnje u mreži, te da su regulatorni uvjeti na kvalitetu i pouzdanost opskrbe sve stroži, na operatorima distribucijskih sustava je sve veći pritisak da mrežu održavaju stabilnom uz što manje prekida. U slučaju nemogućnosti isporuke energije zbog prekida u mreži, moguće su financijske kazne operatorima, a istovremeno kritični potrošači mogu ostati bez mrežnog napajanja (npr. bolnice, vojni objekti, data centri i sl.).

Elektroenergetski sustavi u prošlosti bili su centralizirani i vertikalno organizirani, tok energije i informacija bio je jednosmjernan, od velikih centraliziranih elektrana, preko prijenosne mreže do potrošača u distribucijskoj mreži. Prevladao je samo jedan princip: proizvodnja prati potrošnju. Danas, u jeku energetske tranzicije, mnogo toga se mijenja u energetskom sektoru. Energija iz OIE proizvodi se decentralizirano, tokovi snaga i informacija su dvosmjerni, tržište električne energije se brzo razvija. Energija se najčešće predaje u sredjenaponsku i niskonaponsku mrežu, u nekim slučajevima i direktno u visokonaponsku mrežu. Kako je jedna od glavnih karakteristika OIE njihova stohastička narav, to ima veliki utjecaj na upravljanje mrežom.

U budućnosti, potrošnja električne energije pratit će proizvodnju (za razliku od danas). Jedan od primjera su električni automobili, koji se pune preko noći u vrijeme kada je najjeftinija električna energija proizvedena iz vjetroelektrana. To znači potpuna izmjena dosadašnjeg koncepta. Dvosmjerni tok energije i dvosmjerna komunikacija zamjenjuju dosadašnje principe.

Stoga, potrebno je razviti novi pristup, te nova inteligentna i fleksibilna rješenja za zaštitu i upravljanje mrežom.

Proizvodnja i korištenje energije doprinosu više od 75% emisije stakleničkih plinova u EU. Dekarbonizacija EU energetskeg sustava je jedan od ciljeva EU do 2030 u paketu klimatskih promjena i dugoročne strategije da EU postane karbon-neutralna do 2050. Ciljevi i strategija EU jasno su definirani u dokumentu European Green Deal (EGD) [1].

Neki od glavnih ciljeva EU koji će definirati i trendove u energetskeg sektoru su:

- izgraditi jedinstveni povezani energetskeg sustav i modernu infrastrukturu
- potisati energetskeg u činkovitost i dizajn ekološki prihvatljivih proizvoda i rješenja
- dekarbonizacija plinskog sektora
- razvoj pu činskih vjetroelektrana u Europi

EGD, predstavljen krajem 2019., pruža nacrt klimatskih, energetskeg i ekoloških aktivnosti za godine koje dolaze. To je sveobuhvatna strategija koja uključuje ne samo smanjenje neto emisije CO<sub>2</sub> do 2050. godine, već odvaja ekonomski rast od korištenja prirodnih resursa i ima za cilj ostvariti tranziciju koja je održiva ne samo za okoliš nego i za društvo. Čista energija i održiva mobilnost dva su od deset glavnih ciljeva navedenih u EGD, a europski ODS-i ključni su za oba cilja.

EGD direktiva definira jasnu ulogu ODS-ova kao ključnih pokretača inovacija na tržištu električne energije. Osim tradicionalnih uloga kao što je osiguravati pouzdanost napajanja električnom energijom, oni su također zaduženi za integraciju obnovljivih izvora energije, električnih vozila i distribuiranih izvora u sustav te postavljanje odgovarajuće mrežne naknade za isto. Operatori sustava već razmatraju napredne tehnologije za upravljanje svojim električnim mrežama, nove velike distribuirane izvore energije iz obnovljivih izvora a istovremeno da se zadovolje regulatorna ograničenja.

U provođenju svih EU direktiva, operatori sustava će morati izvještavati i pratiti ključne podatke i indikatore kao što su: broj kupaca, tipologija mreže (NN, SN, VN), omjer između broja kupaca i korištene površine, omjer između isporučene energije i korištene površine, duljinu podzemnih kabela i nadzemnih vodova, indekse pouzdanosti (SAIDI i SAIFI) i još mnogo toga.

Neke prekide i kvarove u mreži jednostavno nije moguće spriječiti, no kada dođe do istih potrebno je minimizirati utjecaj na kvalitetu opskrbe, na način da u mreži bude što manje prekida, a vremena trajanja prekida da budu što kraća. Da bi se realizirali ovi zahtjevi, potreban je novi pristup upravljanja i zaštite mreže. Primjenom tehnologija naprednih mreža (eng. smart-



grid) kao što je adaptivna zaštita, mreža postaje stabilnija i prilagodljiva na sve uvjete u mreži. Smanjuje se vrijeme trajanja prekida u odnosu na konvencionalne metode, te se uvode nove mogućnosti optimalnog upravljanja i zaštite mreže.

Relejna zaštita u EES se koristi da bi štitila sustav od kvarova i potencijalno opasnih situacija. Zadatak relejne zaštite je da otkloni kvar i izolira dio mreže u kojoj se isti pojavio. Da bi zaštita ispravno radila, ona mora biti selektivna, osjetljiva i pouzdana. Da bi se postigli traženi zahtjevi na zaštitu, potrebno je napraviti studiju udešenja zaštite za svaki dio mreže koji se želi štiti. Koordinacija zaštitnih releje definira se kao proces odabira postavki ili karakteristike vremenskog zatezanja zaštitnih releja na način da će prorada releja ići određenim redoslijedom da bi se minimizirao utjecaj na korisnike mreže, broj prekida, oštećenje opreme, potencijalne ozljede ljudi i sl.

U radu će biti predstavljena primjena metoda adaptivne zaštite u okviru naprednih mreža. Utvrdit će se utjecaj statičkog podešenja relejne zaštite na selektivnost zaštite, te predložiti novi algoritam za rješenje problema optimiziranja parametara koordinacije i udešenja adaptivne zaštite. Predložit će se model dinamičke adaptivnosti zaštite i algoritam samo-obnavljajuće mreže za zaštitu i vođenje srednjenaponskih mreža u stvarnom vremenu. Primjenom adaptivne zaštite povećava se selektivnost zaštite i raspoloživost sustava, te da se smanjuje vrijeme trajanje i učestalost prekida, i vrijeme isklopa zaštite.

Na izrađenom laboratorijskom modelu napredne mreže napraviti će se simulacije primjene adaptivne zaštite i samoobnavljajuće mreže u različitim pogonskim uvjetima. U suradnju sa HEP ODS Elektra Koprivnica, napraviti će se simulacija istraživanja na stvarnom dijelu mreže.

## 1.2 Motivacija

Doktorski rad sastoji se od devet poglavlja. Nakon uvoda u kojem su opisani ciljevi istraživanja, u drugom poglavlju 2 opisan je rad i struktura klasične distribucijske srednjenaponske mreže. Dan je pregled tipova i struktura distribucijskih mreža te su opisani tipični kvarovi u distribucijskoj mreži koji imaju utjecaj na sami pogon mreže ali i pokazatelje pouzdanosti napajanja. Poglavlje dalje opisuje način upravljanja po dubini mreže te utjecaj distribuiranih izvora na mrežu.

U trećem poglavlju 3 opisan je rad relejne zaštite u distribucijskoj mreži. Dan je pregled tradicionalnih metode zaštite te utjecaj statičkog udešenja zaštite na selektivnost i koordinaciju zaštitnih releja. Opisan je rad nadstrujne zaštite i vremensko stupnjevanje.

U četvrtom poglavlju 4 opisan je rad napredne distribucijske mreže sa visokim stupnjem automatizacije. U mreži je moguće primijeniti adaptivnu zaštitu u različitim arhitekturama sustava. Prezentirani su modeli samo-obnavljajuće mreže.

U petom poglavlju 5 predstavljen je algoritam optimalne koordinacije adaptivne zaštite koji ima sposobnost na optimalan način koordinirati uređaje relejne zaštite duž radijalnog voda primjenom metoda inteligentnog pretraživanja, primjenom metoda roja čestica. Algoritam je testiran na modelu mreže, a rezultati su uspoređeni sa rezultatima iz literature čime je verificiran model.

U šestom poglavlju 6 predstavljen je algoritam optimalne rekonfiguracije mreže koji ima sposobnost na optimalan način rekonfigurirati mrežu ovisno o zadanim funkcijama cilja i ograničenjima, primjenom metoda inteligentnog pretraživanja. Optimizacija se radi korištenjem umjetnih neuronskih mreža. Algoritam je testiran na modelu mreže, a rezultati su uspoređeni sa rezultatima iz literature čime je verificiran model.

U sedmom poglavlju 7 predstavljen je model dinamičke adaptivnosti zaštite koji ima sposobnost detektirati i izolirati kvar te rekonfigurirati mrežu s obzirom na trenutno stanje. Model koristi oba dva algoritma iz poglavlja 5 i 6 te koristi komunikacijsku infrastrukturu za razmjenu informacija između uređaja i centra vođenja. Metoda je testirana na modelu mreže. Rezultati su se usporedili sa rezultatima laboratorijskog modela iz sljedećeg poglavlja.

U osmom poglavlju 8 opisan je laboratorijski model prezentiranog modela dinamičke adaptivnosti zaštite. U sklopu istraživanja razvijen je laboratorijski model korištenjem "hardware-in-the-loop" odnosno korištenjem stvarnih uređaja relejne zaštite i simuliranjem rada metode. Rezultati su uspoređeni sa simulacijom iz poglavlja 7 čime se verificirala metoda. Nastavno na laboratorijski model napravljen je stvarni projekt samo-obnavljajuće mreže HEP ODS Elektra Koprivnica u kojem se primijenila modificirana metoda MDAZU. Rezultati stvarnih ispitivanja uspoređeni su sa simulacijskim, čime se još jednom verificirala metoda MDAZU.

U zadnjem devetom poglavlju 9 iznesena su zaključna razmatranja na prikazane rezultate te se daje pregled postignutih znanstvenih doprinosa disertacije. Na kraju poglavlja navedene su smjernice za daljnja poboljšanja optimizacijskog modela i buduća istraživanja.

### **1.3 Cilj istraživanja**

U vidu spomenutih promjena u EES, jedan od ciljeva ovoga istraživanja je unaprjeđenje metoda naprednog vođenja i šticeanja distribucijskog sustava temeljenom na naprednim mrežama i digi-

talizaciji. Predložena rješenja smanjiti će vrijeme prekida u opskrbi i omogućiti će kvalitetniju opskrbu električnom energijom za proizvođače i potrošače.

U radu će biti istražena primjena metoda adaptivne zaštite u okviru naprednih mreža. Utvrdit će se utjecaj statičkog podešenja relejne zaštite na selektivnost zaštite, te predložiti novi algoritam za rješenje problema optimiziranja parametara koordinacije i udešenje adaptivne zaštite s obzirom na različite funkcije cilja primjenom metoda inteligentnog pretraživanja. Na osnovu rezultata proračuna predložit će se model dinamičke adaptivnosti zaštite i algoritam samo-obnavljajuće mreže za zaštitu i vođenje srednjenaponskih mreža u stvarnom vremenu. Na izrađenom laboratorijskom modelu napredne mreže napraviti će se simulacije primjene adaptivne zaštite i samoobnavljajuće mreže u različitim pogonskim uvjetima. Primjenom adaptivne zaštite povećava se selektivnost zaštite i raspoloživost sustava, te da se smanjuje vrijeme trajanje i učestalost prekida, i vrijeme isklopa zaštite.

Ciljevi i doprinosi ovoga istraživanja su:

- Razviti algoritam koordinacije adaptivne zaštite distributivnih mreža korištenjem metoda inteligentnog pretraživanja. (Poglavlje 5)
- Razviti upravljajući algoritam za rekonfiguraciju distributivnih mreža (Poglavlje 6)
- Razviti metodu dinamičke adaptivnosti zaštite sa svrhom unaprjeđenja pouzdanosti i raspoloživosti distributivnih mreža. Primjenom metode može se otkriti i odrediti mjesto kvara, te automatski izolirati kvar i ponovno uspostaviti napajanje. (Poglavlje 7)
- Napraviti laboratorijski model napredne mreže za verifikaciju modela dinamičke adaptivnosti zaštite distributivnih mreža. (Poglavlje 8)

# Poglavlje 2

## Distribucijska srednjenaponska mreža

### 2.1 Uvod

Zbog činjenice da iz godine u godinu raste potrošnja električne energije, raste udio distribuirane proizvodnje u mreži te da su regulatorni uvjeti na kvalitetu i pouzdanost opskrbe sve stroži, na operatorima distribucijskih sustava je sve veći pritisak da mrežu održavaju stabilnom uz što manje prekida. Prilikom planiranja novih distribucijskih mreža vodi se računa o tome da se poveća pouzdanost napajanja svih korisnika mreže. Kako bi to zadovoljili, potrebno je ugraditi veliku količinu nove primarne i sekundarne opreme. Visoka pouzdanost napajanja bitna je svih mrežnim korisnicima: industrijskim, komercijalnim, stambenim i sl. Zbog veličine i kompleksnosti takvih mreža otežano je održavanje i upravljanje. U slučaju nemogućnosti isporuke energije zbog prekida u mreži, moguće su financijske kazne operatorima, a istovremeno kritični potrošači mogu ostati bez mrežnog napajanja (npr. bolnice, vojni objekti, podatkovni centri i sl.).

### 2.2 Srednjenaponska mreža

Distribucijska srednjenaponska mreža (SN) napaja se (preuzima električnu energiju) iz prijenosne mreže u transformatorskim stanicama VN/SN tj. 110/35(30)(20)(10)kV, te služi za distribuciju električne energije do krajnjih (srednjih i malih) potrošača. Dio električne energije distribucijska mreža preuzima i iz manjih elektrana koje su priključene na distribucijsku mrežu. Povezana mreža može poprimiti različita uklopna stanja a sve u svrhu sigurnog i kvalitetnog napajanja kupaca električnom energijom. SN mreže su većim dijelom otvorene strukture i imaju

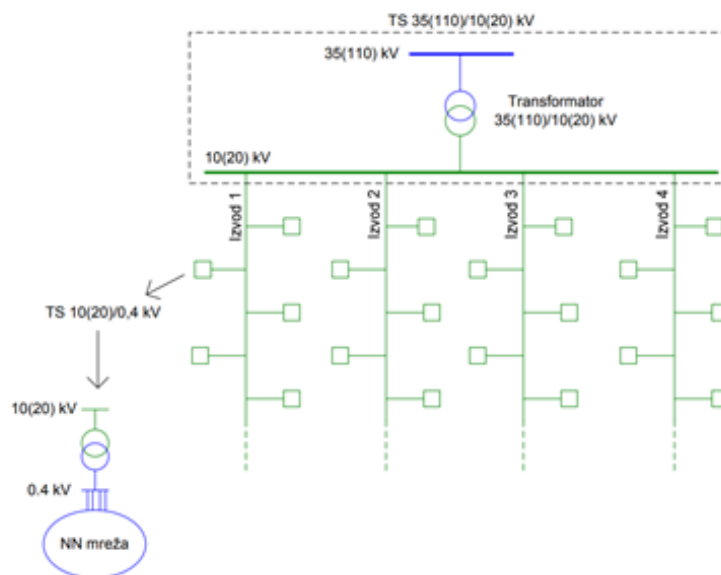
zrakasti oblik čime je smanjena pogonska sigurnost (u odnosu na prijenosnu mrežu), što je motivirano prvenstveno ekonomskim razlozima.

SN gradske distributivne mreže su uglavnom upetljane, ali u pogonu se vode kao radijalne. Tako da je u slučaju kvara jednog voda ili transformatora moguće osigurati napajanje iz drugog smjera, s time da je u pogonu uključeno napajanje samo iz jednog smjera, a napajanje iz drugog smjera je rezervno koje se uključuje u slučaju potrebe.

### 2.2.1 Struktura i konfiguracija distribucijske mreže

Postoji nekoliko različitih struktura distribucijskih mreža, svaka ta mreža može se u elektroenergetskom sustavu naći u nekoliko izvedbi [2]:

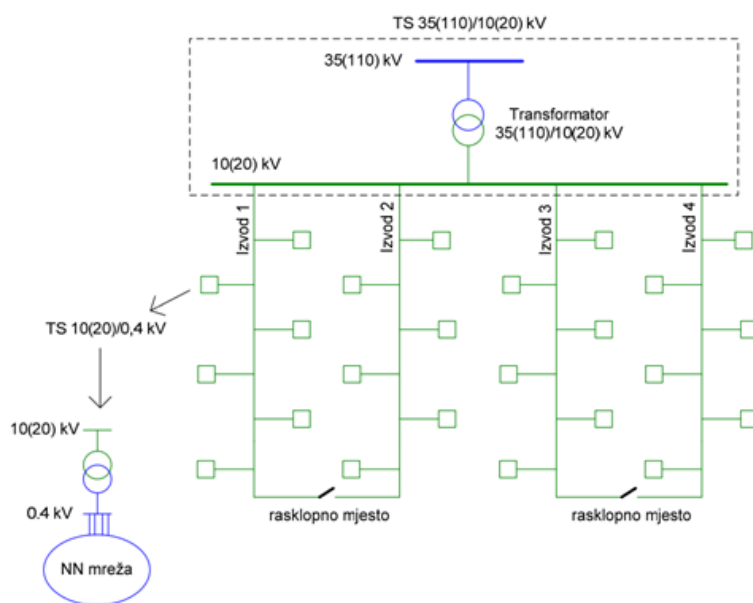
1. **Radijalne ili zrakaste mreže.** Svi srednjenaponski vodovi izlaze radijalno iz TS i nisu međusobno povezani, što znači da ne mogu jedan drugom poslužiti kao rezerva. Ako dođe do prekida napajanja jednog voda u slučaju kvara na istom, sve niskonaponske mreže napajane preko tog voda ostaju bez napajanja. Na slici 2.1 prikazana je shema radijalne mreže.



Slika 2.1: Zrakasta (radijalna) 10 (20) kV mreža

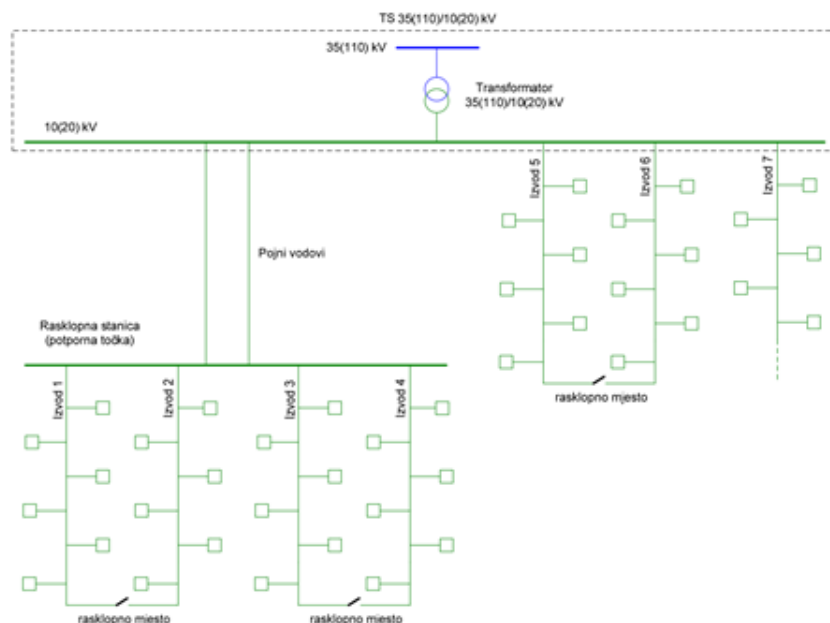
2. **Prstenaste mreže.** Temelji se na radijalnim vodovima koji izlaze iz TS i međusobno su povezani rasklopnim mjestom. Rasklopno mjesto je otvoreno u normalnom pogonu i predstavlja ranije spomenutu radijalnu mrežu. Međutim, kada dođe do kvara na jednom izvodu, rasklopno mjesto se zatvara a potrošači iza mjesta kvara napajanje dobivaju iz

drugog SN voda. Na taj način vodovi predstavljaju rezervu jedan drugome. Najsigurnija varijanta ove izvedbe je zatvoreno rasklopno mjesto u normalnom pogonu, odnosno dvostrano napajanje potrošača. U praksi se jako rijetko izvodi zato što je neisplativo jer traži velika ulaganja u mrežnu opremu i njezino održavanje, pa se primjenjuje samo kod onih potrošača kojima je nužna konstantnost isporuke električne energije. Na slici 2.2 prikazana je shema prstenaste mreže.

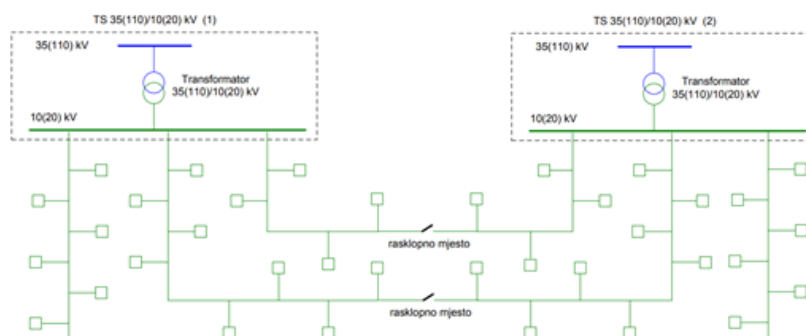


Slika 2.2: Prstenasta 10 (20) kV mreža

3. **Mreže s potpornom točkom.** Imaju izdvojeno rasklopno mjesto (potporna točku), obično vezanu dvostrukim vodom za pojnu TS, iz kojeg se onda napajaju vodovi koji mogu biti zrakasti ili prstenasti. Ovakvo rješenje je obično ekonomski uvjetovano, tj. primjenjuje se ako je cijena izgradnje manja u odnosu na vođenje svih vodova iz trafostanice. Druga je varijanta da se potporna točka formira kao mjesto uvođenja nove TS x/10(20) kV u budućnosti. Na slici 2.3 prikazana je shema mreže s potpornom točkom.
4. **Linijske mreže.** Dvostruko napajane, nastaju spajanjem zrakastih vodova koji izlaze iz dviju pojnih stanica (trafostanica x/10(20) kV). Normalni pogon obično podrazumijeva otvorena rasklopna mjesta. U slučaju kvara na jednoj trafostanici ili vodu, vodovi se mogu napajati iz druge TS. Na slici 2.4 prikazana je shema linijske mreže.
5. **Kombinirane prstenaste i linijske mreže.** Dvostruko napajane, nastaju od linijskih mreža spajanjem dodatnim vodom u prsten (ili obratno). Na taj način osigurana je dvostruka rezerva, jedna preko voda iz iste trafostanice, a jedna preko voda iz druge trafostanice. Na slici 2.5 prikazana je Kombinirana prstenasta i linijska 10 (20) kV mreža.



Slika 2.3: Mreže s potpornom točkom



Slika 2.4: Linijska 10 (20) kV mreža

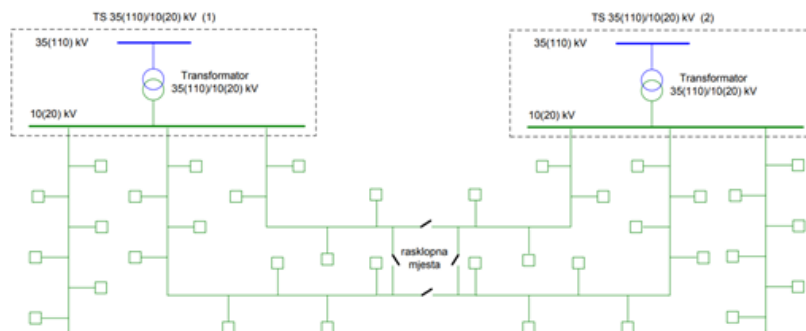
### 2.2.2 Tipični kvarovi u distribucijskoj mreži

U elektroenergetskim sustavima, kvar se definira kao nepravilna električna veza između vodiča. Uopće, u distribucijskoj mreži, mogu se pojaviti slijedeće vrste kvarova prikazane na slici 2.6 [3]:

1. **Trofazni kvar.** Kratki spoj tri faze (sa zemljom ili bez), jedini simetrični kratki spoj. Početna struja trofaznog kratkog spoja računa se prema izrazu:

$$I_{k3}'' = \frac{c \times U_n}{\sqrt{3} \times Z_{k,d}} \quad (2.1)$$

Gdje je  $Z_{k,d}$  ukupna impedancija direktnog sustava.



**Slika 2.5:** Kombinirana prstenasta i linijska 10 (20) kV mreža

Ukoliko postoji više od jednog izvora koji doprinosi struji kratkog spoja i ti izvori nisu međusobno isprepleteni (mreže koje nisu zamkaste), tada se početna struja kratkog spoja  $I_{k3}''$ , na mjestu nastanka kratkog spoja, računa kao zbroj svih struja pojedinačnih grana. [2]

2. **Dvofazni kvar.** Kratki spoj dvije faze ili faze i nule (sa zemljom ili bez). Dvofazni kratki spoj (K2), drugi je po zastupljenosti u EES-u, jedan je od nesimetričnih kratkih spojeva. Tokom početne faze kratkog spoja, inverzna nadomjesna impedancija je približno jednaka direktnoj bez obzira je li riječ o kratkom spoju blizu ili daleko od generatora. Samo u stacionarnoj fazi kratkog spoja postoji razlika između direktne i inverzne nadomjesne impedancije i to u slučaju kratkog spoja blizu generatora. Za dvofazni kratki spoj (slika 3.4.) početna struja kratkog spoja računa se prema izrazu: [2]

$$I_{k2}'' = \frac{c \times U_n}{|Z_d + Z_i|} = \frac{c \times U_n}{2|Z_d|} = \frac{\sqrt{3}}{2} \times I_{k3}'' \quad (2.2)$$

U slučaju kratkog spoja blizu generatora direktna i inverzna impedancija približno su jednakog iznosa. Ukoliko je u takvom slučaju nulta impedancija veća od inverzne u većini slučajeva je struja dvofaznog kratkog spoja sa zemljom najveća moguća struja kratkog spoja. [2]

U tom slučaju početna struja iznosi:

$$I_{kE2E}'' = \frac{\sqrt{3} \times c \times U_n \times Z_i}{Z_d Z_i + Z_d Z_0 + Z_i Z_0} \quad (2.3)$$

Ako se dogodi kratki spoj daleko od generatora, tada se direktna i inverzna impedancija mogu smatrati jednakima, pa se početna struja dvofaznog kratkog spoja sa zemljom računa kao:

$$I_{kE2E}'' = \frac{\sqrt{3} \times c \times U_n}{|Z_d + 2Z_0|} \quad (2.4)$$

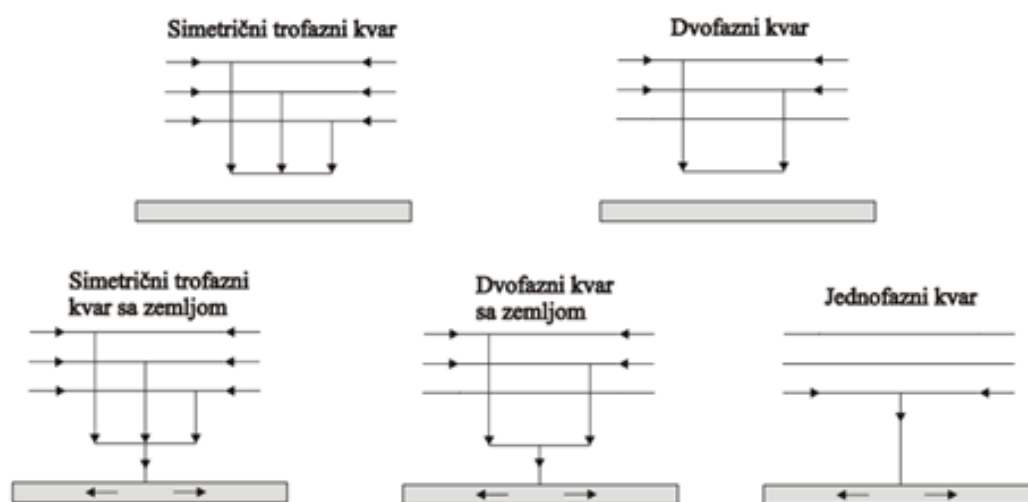
3. **Jednofazni kvar ili zemljospoj.** Nesimetrični kratki spoj jedne faze s nulom ili zemljom.



U uzemljenim mrežama ovo se definira kao jednofazni kvar dok se u izoliranim mrežama ovaj kvar naziva zemljospoj. Za njegov proračun potrebno je uzeti direktnu, inverznu i nultu impedanciju. Izraz za početnu struju kod jednofaznog kratkog spoja: [2]

$$I_{k1}'' = \frac{\sqrt{3} \times c \times U_n}{Z_d + Z_i + Z_0} \quad (2.5)$$

Kvarovi nemaju istu vjerojatnost događanja za nadzemne vodove i podzemne kabele te nisu iste vrste. Na primjer, statističke studije pokazuju da kvarovi najčešće nisu trajni (približno 90 %), a najveći broj kvarova su jednofazni (približno 75 %).



Slika 2.6: Vrste kvarova u distribucijskoj mreži

Glavni uzroci kvarova su nevrjeme ili pad vodiča na zemlju. Za podzemne kabele kvarovi su uglavnom trajni (gotovo 100 %) i jednofazni ili trofazni, zavisno od vrste kabela. Za jednožilne kabele kvarovi su uglavnom jednofazni, tako što se ekran direktno spaja sa zemljom. Za trožilne kabele kvar često prelazi u trofazni zbog brze termičke degradacije materijala. Čak i ako je u pitanju jednofazni ili dvofazni kvar, otvaranje glavnog prekidača odnosi se na sve tri faze. Ovaj prekidač je instaliran na početku SN izlaza (u pripadajućoj TS 110/x kV ili 35/10 kV). [2]

### 2.2.3 Pokazatelji pouzdanosti napajanja

Prema uvjetima kvalitete opskrbe električnom energijom [4] neki od općih pokazatelja pouzdanosti napajanja u distribucijskoj mreži su SAIDI, SAIFI i CAIDI.

Prosječni broj dugotrajnih prekida napajanja svakog korisnika mreže (SAIFI, engl. System Average Interruption Frequency Index) je opći pokazatelj prosječnog broja dugotrajnih prekida

napajanja po korisniku distribucijske mreže, tj. pokazuje koliko često prosječni korisnik mreže doživi dugotrajni prekid napajanja u određenom vremenu, najčešće godinu dana. SAIFI se računa prema izrazu:

$$SAIFI = \frac{\sum_{i=1}^K N_i}{N_{uk}}, \frac{\text{prekida}}{\text{korisniku}} \quad (2.6)$$

Gdje je:

$K$  – ukupan broj dugotrajnih prekida napajanja,

$N_i$  - broj korisnika mreže pogođenih  $i$ -tim dugotrajnim prekidom napajanja,

$N_{uk}$  - ukupan broj korisnika mreže.

Prosječno trajanje dugotrajnih prekida napajanja svakog korisnika mreže (SAIDI, engl. System Average Interruption Duration Index) je opći pokazatelj prosječnog trajanja dugotrajnih prekida napajanja po korisniku distribucijske mreže, tj. pokazuje ukupno trajanje prekida napajanja prosječnog korisnika mreže u određenom vremenu. SAIDI se računa prema izrazu:

$$SAIDI = \frac{\sum_{i=1}^K N_i \times T_i}{N_{uk}}, \frac{\text{min}}{\text{korisniku}} \quad (2.7)$$

Gdje je:

$K$  – ukupan broj dugotrajnih prekida napajanja,

$N_i$  - broj korisnika mreže pogođenih  $i$ -tim dugotrajnim prekidom napajanja,

$T_i$  - trajanje  $i$ -tog dugotrajnog prekida napajanja, min.

$N_{uk}$  - ukupan broj korisnika mreže.

Prosječno trajanje dugotrajnih prekida napajanja po korisniku mreže (CAIDI, engl. Customer Average Interruption Duration Index) je opći pokazatelj prosječnog trajanja dugotrajnih prekida napajanja po korisniku distribucijske mreže pogođenog prekidom napajanja, tj. predstavlja prosječno vrijeme potrebno za ponovnu uspostavu napajanja. CAIDI se računa prema izrazu:

$$CAIDI = \frac{SAIDI}{SAIFI}, \frac{\text{min}}{\text{prekidu}} \quad (2.8)$$

Osim općih pokazatelja koji predstavljaju ciljanu razinu kojoj treba težiti, za distribucijsku mrežu razlikuju se i pojedinačni pokazatelji pouzdanosti napajanja:

1.  $T_{p1,i}$  - trajanje pojedina čnog (i-tog) dugotrajnog planiranog prekida napajanja pojedinog krajnjeg kupca (min),
2.  $T_{p2,i}$  - trajanje pojedina čnog (i-tog) dugotrajnog neplaniranog prekida napajanja pojedinog krajnjeg kupca (min),
3.  $T_p$  - ukupno trajanje svih pojedina čnih dugotrajnih neplaniranih prekida napajanja pojedinog krajnjeg kupca u promatranoj godini (min) i
4.  $N_i$  - ukupan broj dugotrajnih neplaniranih prekida napajanja pojedinog krajnjeg kupca na srednjem naponu u promatranoj godini
5.  $N_p$  - ukupan broj dugotrajnih neplaniranih prekida napajanja pojedinog krajnjeg kupca na niskom naponu u promatranoj godini.

Razina pojedinačnog pokazatelja pouzdanosti napajanja propisana je uvjetima kvalitete opskrbe električnom energijom [5] i predstavlja zajamčeni standard pouzdanosti napajanja. U slučaju kada je dokazano da pojedinačni pokazatelj pouzdanosti napajanja nije postigao propisanu razinu zajamčenog standarda korisnik mreže ima pravo na novčanu naknadu definiranu Uvjetima.

### 2.3 Aktivna distribucijska mreža

Danas se distribucijske mreže razvijaju prema naprednim distribucijskim mrežama, tj. prelaze iz pasivnih u aktivne mreže u kojima se nalazi distribuirana proizvodnja, sustavi za pohranu energije, te intenzivno koriste komunikacijsku infrastrukturu. Da bi koncept napredne mreže bio moguć potrebno je odgovoriti na brojne izazove [6] [7]. S obzirom na povećanje udjela distribuirane proizvodnje u mreži, te zahtjeve za pouzdanom opskrbom električnom energijom, jedan od izazova su novi zahtjevi na relejnu zaštitu u uvjetima naprednih mreža. Prema [8] [9] [10] zaštita mora biti adaptivna kako bi se mogla prilagoditi na promjene u topologiji mreže, te priključke novih DI. Utjecaj DI i ostalih aktivnih elemenata na mrežu je višestruki uključujući izmjenu u topologiji mreže, izmjene smjera tokova snaga, izmjene iznosa struja kratkog spoja i sl. Integracijom DI pojavljuju se mogućnosti rada dijela mreže u otočnom radu, tzv mikromreža. Otočni rad bi mogao dodatno unaprijediti mogućnosti samo-obnavljajućih mreža, ali s obzirom da Hrvatska regulativa i mrežna pravila [11] ne dozvoljavaju otočni rad ovaj koncept se neće razmatrati u daljnjem istraživanju.

Današnje pasivne mreže nemaju mogućnost adaptacije na aktivne promjene u mreži kao

izmjena topologije, promjene u načinu rada DI i sl. Konvencionalna zaštita u distribucijskim mrežama ima isti koncept već desetljećima, i radi pod pretpostavkom da tok energije ide sa više naponske razine prema nižoj, a zaštita mreže bazirana je na koordinaciji nadstrujne zaštite. Konvencionalne metode zaštite ne mogu zadovoljiti sve uvjete rada mreže, stoga je potrebno uvesti nove adaptivne metode zaštite. Integracija decentralizirane i distribuirane proizvodnje iz obnovljivih izvora energije u EES, novi trendovi kao korištenje električnih automobila u osobnom i javnom prijevozu, korištenje baterijskih sustava za pohranu energije, neki su od razloga promjena u strukturi i načinu vođenja distribucijske mreže.

Automatizacija SN mreže zahtijeva ugradnju novih uređaja, ali i neke promjene u načinu vođenja sustava, u cilju da se poveća kvalitete isporuke električne energije, da se poboljšaju pogonski radni uvjeti (sigurniji uvjeti rada, više informacija, smanjena potreba za prekovremeni i noćni rad, smanjen i transport itd.), smanjenje operativnih troškova upravljanja SN mrežom (daljinsko upravljanje), te povećanje prihoda kroz prodaju isporučene električne energije (moćnost brže rekonfiguracije mreže, više kupaca je na mreži).

Primarna oprema kojom se provodi automatizacija SN mreže se može podijeliti na [12]:

- daljinski upravljivi prekidači, za ugradnju na stup (tzv. recloseri),
- daljinski upravljivi SN blokovi s motornim pogonima
- daljinski upravljane rastavne naprave (DURN)

Postavljanje ovih uređaja u distributivnu mrežu uz dodatak sekundarne opreme za mjerenje, zaštitu, komunikaciju, napajanje i programsku potporu omogućuju automatizaciju funkcije detekcije i inicijalnog izoliranja kvara te brzi povratak napajanja. Uspješnost procesa restrukturiranja mreže nakon kvara mjeri se u neisporučenoj električnoj energiji, a ovisi o lokaciji i broju upravljanih linijskih sklopki ili prekidača. Stoga je ispravan odabir broja i lokacije ugradnje ovih uređaja veoma važan za optimalan rad mreže. Rješenje ovog problema zahtijeva dobro poznavanje topologije mreža, tipova priključenih potrošača, statistike kvarova, vremenskih i geografskih uvjeta na trasi dalekovoda te primjena odgovarajuće matematičke metode.

## 2.4 Upravljanje po dubini mreže

Primjenom suvremenih tehnoloških rješenja koja omogućuju automatizaciju po dubini mreže primarno se postiže smanjenje vremena trajanja kvarova. Zbog novih trendova u razvoju tehnologije, ali i promjenama zakona, pravilnika i nekih poslovnih procesa utječemo i na daljnji razvoj automatizacije SN mreže s konačnim ciljem uspostavljanja sustava koji će moći točno i

brzo [13]:

- predvidjeti vjerojatnost kvara u mreži
- pronaći i izolirati kvarnu dionicu
- analizirati mrežu sa stanovišta gubitaka, optimalnog uklopnog stanja ili sigurnosti
- integrirati distribuirane obnovljive izvore i omogućiti otočni rad
- potpuno automatizirati određene operacije u mreži
- predviđati buduću potrošnju i opterećenja
- omogućiti nove usluge za sudionike na tržištu električne energije

Ulaganje u ovu vrstu opreme stvara preduvjete za automatizaciju rada SN mreže. Dosađajni način ugradnje ove opreme razlikuje se po različitim operatorima sustava i različitim distribucijskom mrežama, a ovise o: broja ugrađenih „daljinskih vođenih točaka“ po vodnom polju, odabiru lokacija za ugradnju, razini opremljenosti [14]. U nastavku su prikazani različiti tipovi sklopne opreme namijenjene za daljinsko upravljanje po dubini SN mreže [15].

### **2.4.1 Indikatori kvara**

Elementarni oblik automatizacije srednjenaponske mreže je ugradnja samo indikatora prolaska struje kvara u SN mreži. Sa ovim uređajima moguće je ostvariti komunikaciju prema centru upravljanja. Na nadzemnim vodovima indikatori kvara ugrađuju se na prikladnim mjestima gdje je SN vod podijeljen na sekcije. Kada se desi kvar na radijalnom vodu, indikaciju kvara pokazivati će svi indikatori između mjesta kvara i izvorne trafostanice. Indikatori ugrađeni iza mjesta kvara neće reagirati. Ovo je indikator makrolokacije kvara dežurnoj službi za intervenciju, odnosno na kojem dijelu voda treba tražiti kvar. Na ovaj se način značajno smanjuje vrijeme sekcioniranja i broj kratkih povrata napajanja pri sekcioniranju.

### **2.4.2 Daljinski upravljive rastavne sklopke u nadzemnoj mreži**

Viši stupanj automatizacije u odnosu na opisani je ugradnja DURN (daljinski upravljivih rastavnih naprava), tj rastavnih sklopki s indikatorima kvara i pripadajućom sekundarnom opremom nužnom za daljinski nadzor i upravljanje na nekoliko lokacija po pogonski definiranoj nadzemnoj dionici. Ugradnjom ove opreme omogućuje dispečeru precizniju kontrolu stanja u SN mreži i mogućnost daljinskog upravljanja i sekcioniranja pri pojavi kvara. U ovako konfiguriranim mrežama značajno se smanjuje vrijeme trajanja kvara iako je odluka o upravljanju kvarom na dispečeru. DURN ne može isklopiti struju kvara, već se njima upravlja u beznaponskom

stanju ili pri nazivnim strujama.

### **2.4.3 Daljinski upravljivi rastavljači i sklopke u kabelskoj mreži**

Analogno definiranom sustavu za nadzemne vodove izgrađuje se sustav za upravljanje i nadzor i u kabelskim mrežama. Razliku čini primarna oprema koju u kabelskim mrežama čine najčešće plinom ili zrakom izolirani sklopni srednjenaponski blokovi opremljeni s motornim pogonima koji mogu vršiti funkciju sklapanja pri nazivnim vrijednostima struja ili u beznaponskom stanju. Sekundarnu opremu i u ovom slučaju čine indikatori kvara, strujni i naponski transformatori, daljinska stanica, komunikacijska oprema i uređaji za pomoćno napajanje.

### **2.4.4 Vakuumski prekidači u nadzemnoj mreži**

Najveću fleksibilnost i najviši stupanj automatizacije omogućuje ugradnja vakumskih prekidača (eng. Recloser) na stupu nadzemne mreže. Ova oprema može isklapati struje kvara te je stoga moguće definirati protokole upravljanja za skup od nekoliko reclosera čime se u SN mreži na određenom teritoriju stvara mogućnost za potpuno automatsko sekcioniranje i izoliranje kvarne dionice bez potrebe za reakcijom dispečera. Prekidači su opremljeni naponskim i strujnim sensorima, upravljačkim ormarom sa zaštitnim relejem (za funkcije zaštite i upravljanja), sustavom za besprekidno napajanje te komunikacijskim modemom. Vakuumski prekidači su predviđeni za vanjsku ugradnju i montirani su na betonske i čelično-rešetkaste stupove. Za pogonski mehanizam koriste magnetski aktuator, pokretan energijom kondenzatora, bez stanja čekanja ili izgubljene energije ako aktuator ne radi. Predviđeni su za brzo automatsko ponovno uključenje (APU) radnog ciklusa O - 0.2s - CO -2s - CO -2s - CO (-30s - CO) – lockout.

### **2.4.5 Sekundarna oprema**

Za rad automatiziranog srednjenaponskog sustava SN mreže potrebna je i sekundarna oprema (osim navedene primarne opreme).

Sekundarna oprema:

- Zaštitni releji.
- Daljinske stanice (DAS)
- Indikatori kvara u nadzemnim i kabelskim mrežama

- Sustavi za besprekidno napajanje
- Komunikacijska oprema
- Senzori (vlaga, temperatura, pojava luka i sl)

#### **2.4.6 Aplikacijske podrške sustavu automatizacije**

Jedna od razlika između tradicionalne i napredne SN mreže je također u obimu podataka koja je potrebna za rad sustava. Napredne mreže imaju dvosmjerni tok energije ali i razmjene informacija između korisnika mreže, operatora sustava i komponenti sustava. Da bi sustav naprednih mreža kvalitetno funkcionirao potrebno je implementirati adekvatnu:

- 1.Komunikacijsku arhitekturu koja omogu ćuje daljinski nadzor, upravljanje i automatizaciju sustava.
- 2.Sustave zaštite koji omogu ćuju interoperabilnu mrežu komponenti.

U nastavku je prikaz aplikacijske podrške sustavu automatizacije i upravljanja SN mrežom kao što su : SCADA, sustav nadzora upravljanja kvalitetom napona, sustav mjerenja i podrške, kontrole.

#### **SCADA sustav**

Preko SCADA (eng. Supervisory Control and Data Acquisition) sustava moguće je vizualizirati stanje mreže te daljinski upravljati i nadzirati mrežu. SCADA sustavi nalaze se u centrima vođenja i VN/SN trafostanicama. Preko SCADA sustava mogu se vidjeti detaljne informacije o stanju vodova, čvorišta i stanja u stanja u TS VN/SN. Unutar SCADA sustava može se razviti aplikacija za identificiranje mogućih mjesta kvara u SN mreži koja prati topologiju i uklopno stanje. SCADA navise koristi dispečerima Ova vrsta sposobnosti može se koristiti zajedno s sustavima za upravljanje ispadima kako bi se značajno poboljšalo vrijeme odziva na kvarove i vremena popravka.

#### **Sustavi upravljanja prekidima**

Sustavi upravljanja prekidima (eng. Outage management system - OMS) su softverski sustavi koji integriraju geografske informacijske sustave, topologiju mreže i informacijske sustave kupaca za definiranje dijelova mreže u kojima je došlo do prekida napajanja električnom energijom i upravljaju odgovorom na te prekide. Mogu uključivati koordinaciju radnih posada i upravlja-

nje svim podacima pouzdanosti za izvještavanje o pouzdanosti. OMS sustavi tehnički nisu dio automatizacije mreže, ali je nitno da se automatizirani sustavi za distribuciju usko koordiniraju sa OMS sustavima radi što učinkovitijeg upravljanja mrežom

### **Napredni sustavi mjerenja (AMI)**

Napredna mjerna infrastruktura (eng. Advanced metering infrastructure - AMI) omogućuju širok raspon tehnologija kako za kupca tako i za cjelokupno funkcioniranje elektroenergetskog sustava. Većina uslužnih programa ima neke vrste automatiziranih sustava za očitavanje brojlila (eng. automatic meter reading - AMR), barem za dijelove baze korisnika. Međutim, AMI uključuje mnogo višu razinu automatizacije i dvosmjernu komunikaciju kako bi se omogućile napredne aplikacije, kao što su automatizirani odgovor na zahtjeve, sustavi kontrole opterećenja, informacijski sustavi korisnika i informacijski sustavi za podršku automatizacije distribucije. Ova posljednja funkcija može postati sastavni dio distribucijskih informacijskih sustava za podršku automatizacije mreže.

### **Aplikacije za upravljanje imovinom**

Automatizirani distribucijski sustavi imaju mogućnost praćenja ključne distributivne opreme (kabeli, transformatori, prekidači, sklopke, rastavljači, kondenzatori, regulatori, odvodnici itd.) te prikupit mnogo informacija o svakom uređaju kao što su: informacije o učitavanju, povijest rada i karakteristike poremećaja, broj operacija, redovitost servisa i sl. Ove informacije najviše se koriste prilikom planiranja investicija u novu imovinu te u programima održavanja postojeće imovine.

## **2.5 Utjecaj distribuirane proizvodnje na mrežu**

Integracija distribuirane proizvodnje u distribucijsku mrežu zahtijeva promjenu tradicionalnih koncepata i strategija zaštite EESa. Potrebna su nova rješenja relejne zaštite kako bi se suočili sa novim izazovima uzrokovanim aktivnošću DI-a. Postoje problemi koordinacije između različitih zaštitnih uređaja, npr. između prekidača, automatskog zatvarača i osigurača, može doći zbog promjena u veličini i smjeru struje kvara, povećanja napona na mjestu priključka, stabilnost frekvencije, kvaliteta električne energije [16].

Istraživanje o utjecajima DI-a na mrežu te o potencijalnim rješenjima problema su još uvijek



aktualna tema [17] [18]. Nema univerzalnog rješenja za navedene probleme nego je svaku situacija potrebno detaljno analizirati ovisno o trenutnom stanju mreže.

Razina integracije DI-a i vrsta generatora (sinkroni/asinkroni generator ili preko pretvarača), imaju temeljni utjecaj na princip zaštite mreže jer oni određuju doprinos razine struje kratkog spoja u mreži. Neka od ključnih pitanja zaštite uzrokovana integracijom DI su: doprinos struji kvara, problem kod tradicionalnih metoda koordinacije uređaja, smanjenje doseg nadstrujnih releja, smanjenje impedancije releja, dvosmjerni tokovi struja kvara što može rezultirati neselektivnim isklopom, neželjenim otočnim radom DI-a, pogrešnom koordinacijom između prekidača, APU-a i osigurača, što može uzrokovati nepotrebnu odradu osigurača ili neispravni rad APUa. U literaturi se o ovim problemima koordinacije zaštite raspravlja još od 1980-ih i aktualna je tema još i danas [19] [20]. Kako bi imali bolji uvid u pitanja i njihova rješenja temeljena na tradicionalnim praksama zaštite, potrebno je nastaviti daljnja istraživanja. Štoviše, kako se problemi zaštite uzrokovani integracijom DI-a razlikuju od mreže do mreže (ovisno o veličini, vrsti i položaju DI-a, topologiji mreže), tako su i rješenja jedinstvena za različite mreže.

### **2.5.1 Problemi integracije distribuirane proizvodnje u mrežu**

Distribuirana proizvodnja ima nekoliko prednosti, kao što su (i) pozitivan utjecaj na naponske prilike, pouzdanost, konkretne cijene, mogućnost pružanja pomoćnih usluga u sustavu, i (ii) smanjena emisija, sigurnosni rizik, razvoj tržišta, cijena troška električne energije, smanjenje gubitaka u mreži, općenito potiče daljnja istraživanja i razvoj. Međutim, postoji nekoliko ključnih izazova u integraciji DI-a [21]. Neke od njih opisani su u sljedećim poglavljima.

### **2.5.2 Upravljanje i nadzor**

U idealnoj situaciji izlazna snaga DI-a trebala bi pratiti lokalnu potrošnju i opterećenje mreže. No, izlaznom snagom DI-a također se može upravljati neovisno o lokalnom opterećenju (teretu). Na primjer, da DI prati signal cijena sa tržišta električne energije, koji može ili ne mora odgovarati trenutnoj lokalnoj potrošnji. Drugi primjer je da DI prati dostupnost prirodnih resursa, poput sunčane energije ili energije vjetera te maksimizira vlastiti proizvodnju. U tom slučaju, DI bi mogao negativno utjecati na naponske prilike u mreži povećavajući razlike između maksimalne i minimalne razine napona na mjestu priključka. Budući da bi minimalna razina napona mogla ostati (obično pri velikom opterećenju, a istovremeno DI ne proizvodi), ali bi se maksimalna razina napona mogla povećati, npr. u situacijama niskog opterećenja sa DI-om koji radi pri maksimalnoj snazi i s faktorom snage  $\cos \phi = 1$ . Općenito govoreći, DI uzrokuju nove

izazove tradicionalnoj regulaciji napona, frekvencije i snage [22].

Zbog sve većeg interesa za izgradnjom DI-a, postoji rizik od mogućnosti upravljanja mrežom te pitanje stabilnosti sustava. Ako se desi prorada prekidača u SN mreži, to bi moglo uzrokovati otočni rad DI. Ako DI ne otkrije gubitak mreže, na primjer zbog nedovoljne struje kvara, DI će nastaviti s radom, što može biti opasno. Kad bi DI mogli točno uskladiti aktivnu i reaktivnu snagu sa trenutnim teretom u otočnom radu, tada bi otočni rad mogao nastaviti raditi bez ikakvih problema. Međutim, vrlo je nerealno da će proizvodnja DI točno odgovarati teretom u mreži tijekom vremena dok se prekidač otvara, stoga će doći do velikih promjena frekvencije ili napona kada DI pokuša direktno napajati terete. Stoga većina mrežnih pravila i pravila o priključenju na mrežu [11] zabranjuju otočni rad te zahtijevaju od DI ugradnju sustava za detekciju gubitka mreže te detekciju otočnog rada DI, koji automatski isključuje DI u slučaju otočnoga rada. [23]

### 2.5.3 Optimalno mjesto priključka

U literaturu je dostupno nekoliko metoda za predlaganje optimalnog mjesta priključka DI-a na mrežu [24]. Na temelju zadanih kriterija, koristi se analitički hijerarhijski proces za predlaganje najboljeg mjesta priključenja DI-a. Metode sagledavaju trenutno stanje mreže ali buduće planirano stanje mreže (do 10 godina u naprijed), koje se mijenja iz godine u godinu zbog različitih razloga, poput priključenja novih DI, širenja mreže, povećanja/smanjenje opterećenja na pojedinim lokacijama, strukturnih i regulatornih promjena itd. S obzirom na veliki interes za izgradnjom DI, nekada nije jednostavno odrediti optimalna mjesta priključenja, koja se često mijenjaju i tada je potrebna je nova (ili revizija) studije optimalnog rješenja priključenja.

### 2.5.4 Problemi u modeliranju

Kada se na mrežu priključi određena količina DI, više neće biti prikladno modelirati statička opterećenja opisana samo sa količinom aktivne i reaktivne snage koja se troši. U literaturi je dostupno mnogo rješenja za razvoj dinamičkih modela tereta, sustava gorivih ćelija, mikro turbina, indukcijskih strojeva s dvostrukim napajanjem [24]. Za proučavanje dinamičke ili prijelazne stabilnosti iznimno je važno imati modele sustava koji s razumnom točnošću odražavaju glavne dinamičke značajke sustava. To implicira da bi vlasnici DI-a trebali staviti na raspolaganje sve relevantne tehničke karakteristike DI-a. Ovdje nisu važne samo statičke karakteristike DG jedinica, već bi trebale biti dostupne i karakteristike glavnih kontrola, poput regulatora, regulatora napona i sustava uzbude sinkronog generatora. Operatori sustava bi trebali uskla-

diti planirani razvoj mreže sa dinamičkim modelima DI-a kako bi se modeliranje odradilo što preciznije i bliže stvarnom budućem stanju u mreži.

### **2.5.5 Zahtjevi na sustav relejne zaštite**

Ovisno o karakteristikama DI-a (nazivnoj snazi, korištenoj tehnologiji, načinu rada), položaju DI-a i konfiguraciji mreže, utjecaj DI-a na nadstrujnu i zemljospojnu zaštitu može varirati. To jasno ukazuje da će DI zasigurno utjecati na principe zaštite distribucijske mreže. Ako sustav relejne zaštite unutar DI-a može detektirati kvar i brzo se isključiti iz mreže, DI neće ometati normalan rad sustava relejne zaštite mreže. Većina operatora kod uvjeta za priključenje DI na mrežu zahtjeva odvajanje DI-a od mreže ako dođe do kvara u blizini ili na mjestu priključka. Danas je sve više distribucijskih mreža automatizirano i opremljeno SCADA sustavima. Sustav relejne zaštite mora biti koordiniran i selektivan [10] [16].

### **2.5.6 Doprinos struji kratkog spoja**

Sustavi relejne zaštite su dizajnirani na temelju veliki iznos struja kvara koji se pojave u mreži. Međutim, takav način zaštite možda neće moći štiti mrežu sa visokim stupnjem integracije DI. Problem je u što DI utječu na iznos i smjer struje kvara. Kod sinkronih DI, struja kvara može biti i 5-6 puta veća od nazivne struje, što uzrokuje velike promjene u iznosima struja kvara. DI bazirani na inverterima nisu u mogućnosti na takva način doprinositi struji kvara. Njihova struja kratkog spoja može biti oko 1-3 puta veća od nazivne struje. Integracija različitih DI rezultirat će dvosmjernim tokovima snaga, što predstavlja problem za mnoge zaštitne uređaje, jer svaki DI predstavlja novi potencijalni izvor kvara koji može povećati ali i prividno smanjiti iznos struje kvara te na taj način možda releji neće vidjeti kvar. Doprinos struji kratkog spoja ovisi o veličini, tipu i mjestu priključka na mrežu DI [22].

### **2.5.7 Kvaliteta električne energije**

Različiti DI imaju različite karakteristike i stoga stvaraju drugačije probleme u mreži po pitanju kvalitete električne energije. Dodavanjem novih DI povećava se struja kratkog spoja, ali ukupan pozitivan učinak na kvalitetu električne energije. Iznimka su veliki DI spojeni na slabo opterećenu mrežu, što može uzrokovati problema s kvalitetom energije, osobito tijekom pokretanja i zaustavljanja proizvodnje [25]. Prekomjerna integracija DI koji koriste pretvarače na sučelju predstavlja dodatni problem s kvalitetom električne energije.

Priključivanje DI na mrežu može utjecati na razinu harmonijskog izobličenja napona ovisno o tome radi li se o elektroničkom pretvaraču ili rotirajućem stroju. Sučelja energetske elektronike nude napredne mogućnosti podrške mreži, ali će injektirati harmonike u mrežu. Ovisno o topologiji i impedanciji mreže na mjestu priključka, mogu se javiti prekomjerne razine harmonijskog izobličenja napona lokalno ili drugdje u mreži. Rotacijski generatori također mogu injektirati harmonike zbog dizajna namota i nelinearnosti jezgre. [26]

### 2.5.8 Naponske prilike

Kod tradicionalne distribucijske mreže sa jednosmjernim tokom energije, napon se smanjuje s udaljenošću od generatora ili transformatora. Ovi padovi napona su predvidljivi i uzimaju se u obzir pri projektiranju mreže tako da je napon unutar granica propisanim mrežnim pravilima. Kada se DI priključi na mrežu, tokovi energije se mijenjaju u odnosu na inicijalne postavke, u nekim situacijama postaju dvosmjerni gdje energije ide iz smjera nižeg napona prema višem naponu. Na mjestu priključka napon će općenito porasti, što može dovesti do prenapona kod drugih obližnjih potrošača. Potreba za ograničenjem porasta napona određuje veličinu generatora koji može biti spojen na određenu lokaciju. Zbog naponskih prilika ograničen je broj DI koji se može spojiti na dio mreže. Dopušteni porast napona ovisi o tome kako mreža trenutno radi, odnosno koliko je blizu trenutni napon maksimalno dopuštenom. Naponski porast se često uzima u obzir kod VE, koje su obično u ruralnim područjima, te su povezane dugim vodovima relativno velikih impedancija. Porast napona u praksi se računa analizom tokova snaga u računalnim programima, a često predstavlja ograničenja veća od tokova snaga odnosno iskorištavanja termičkih mogućnosti vodova. U nekim situacijama izračuni (ili modeliranje tokova snaga) pokazuju da će naponi premašiti prihvatljive granice samo nekoliko sati u godini (obično pri minimalnim opterećenjima). Tada može biti financijski učinkovito „prisiliti“ generatore na smanjenje proizvodnje tijekom tih sati -izgubljeni prihod može biti puno manji u usporedbi s troškovima instaliranja „jačih“ vodova. Pad napona na mjestu priključka moguće je ublažiti injektiranjem jalove snage kondenzatorskim baterijama ili prigušnicama. Kod generatora, takvu regulaciju je moguće postići isključenjem određenog broja ili svih kondenzatora za korekciju faktora snage. Kod sinkronih generatora (najčešće u HE i kogeneracijama na biomasu) može se podesiti uzbuda. Međutim, povlaštenom proizvođaču će u pravilu biti naplaćeno trošenje sve jalove snage koju koristi, osim u mrežama NN gdje se jalova snaga obično ne mjeri [27].

### 2.5.9 Otočni rad

Jedan od bitnih problema kod priključenja DI na distribucijsku mrežu je mogućnost da DI ostane na mreže u otočnom pogonu. Takav događaj može stvoriti velike probleme sa aspekta pouzdanosti zaštite i automatizacije mreže. Otočni pogon označava neovisan rad dijela distribucijske mreže koji je isključen ili odspojen sa glavne mreže, pri čemu se potrošači tog dijela mreže napajaju iz DI. U tom slučaju DI izdvojenu mrežu i dalje napajaju naponom i frekvencijom koji osciliraju unutar unaprijed definiranih granica. Otočni pogon najčešće se javlja nakon prorade zaštite. Primjerice, ako dođe do kvara u mreži, komponente za detekciju kvara dati će signal i zaštita će reagirati. Posljedica reakcije je isklapanje prekidača nakon mjerne točke (Sl. 2.11.) U trenutku isklapanja dolazi do prijelaznih pojava u mreži, tj. dolazi do povećanja napona i frekvencije. Po završetku prijelazne pojave moguća su dva događaja: otočni dio mreže dolazi u stacionarno stanje ili slijedi kolaps mreže nakon kratkotrajnog otočnog pogona. Kako mreža ne bi ostala u otočnom radu, na mjesto priključka postavlja se zaštita koja lokalno mjeri iznose napona i frekvencije te ima integriranu zaštitu od detekcije otočnog rada. [27].

# Poglavlje 3

## Relejna zaštita u distribucijskoj mreži

### 3.1 Uvod

Utjecaj distribuiranih izvora (DI) i ostalih aktivnih elemenata na mrežu je višestruki uključujući izmjenu u topologiji mreže, izmjene smjera tokova snaga, izmjene iznosa struja kratkog spoja i sl. Prema novim istraživanjima zaštita u naprednoj mreži (eng.smartgrid) morati će biti adaptivna kako bi se mogla prilagoditi na promjene u topologiji mreže, te priključke novih distribuiranih izvora [9] [8]. Današnje pasivne mreže nemaju mogućnost adaptacije na aktivne promjene kao što su izmjena topologije, promjene u načinu rada DI i sl. Konvencionalna zaštita u distribucijskim mrežama ima isti koncept već desetljećima, i radi pod pretpostavkom da tok energije ide sa više naponske razine prema nižoj, a zaštita mreže (najčešće) bazirana je na koordinaciji nadstrujne zaštite. Konvencionalne metode zaštite ne mogu zadovoljiti sve uvjete rada mreže, stoga je potrebno uvesti nove metode zaštite [10].

### 3.2 Tradicionalna rješenja relejne zaštite

Poremećaji u elektroenergetskom sustavu su svakodnevna pojava zbog stohastičke prirode rada samog sustava – što zbog kvarova, što zbog neželjenih pogonskih stanja, pri čemu dolazi do oštećenja izolacije elemenata. Prema tome se može reći da je zadaća relejne zaštite takve pojave, u elektroenergetskom sustavu, svesti na minimum. Poremećaji se mogu podijeliti u dvije osnovne kategorije: kvarovi i smetnje [28].

Kvarovi nastaju kao posljedica pojave kratkog spoja u sustavu, zbog oštećenja izolacije radi

odstupanja od karakterističnih pogonskih veličina ili zbog samog kvara jednog od elemenata priključenih u EES. S druge strane, kada se govori o smetnjama u EES-u, tu pripadaju sva odstupanja od normalnih pogonskih stanja kao npr.: visoki naponi zbog prenapona, visoke struje zbog preopterećenja, veliki padovi napona, preveliki broj okretaja ili ispadi sinkronih strojeva, nesimetrična opterećenja i dr.

Zbog svih ovih pojava potrebno je trajno nadzirati karakteristične električne i neelektrične veličine šticećenih objekata. Ukoliko dođe do kvara ili smetnje na šticećenom objektu, od relejne zaštite se očekuje pravovremena detekcija i izoliranje pogođenog elementa. Relejna zaštita čini poseban podsustav, te obuhvaća skup međusobno povezanih (u smislu komunikacije, ne moraju biti fizički povezani) i automatiziranih uređaja koji služe za nadzor i zaštitu elemenata EES-a.

Od relejne zaštite se očekuje da bude selektivna, osjetljiva, pouzdana i da brzo djeluje [29].

Selektivnost, kao jedno od najvažnijih svojstava zaštite, ima zadaću selektivno isključiti kvar samo na pogođenom elementu pri čemu su ostali dijelovi mreže u normalnom pogonu. Moguće ju je ostvariti vremenskim stupnjevanjem zaštite ili dodatnim kriterijima. Vremensko stupnjevanje provodi se kombiniranjem više vrsta zaštite (npr. nadstrujna i diferencijalna), postavljanje dodatnih kriterija podrazumijeva parametriranje releja s obzirom na promatranu veličinu (fazni kut, kut opterećenja, smjer snage, itd.). Brzina djelovanja zaštite je jako bitna. Prilikom nastanka kvara u sustavu potrebna je brza eliminacija kvara kako bi se mehanička i termička naprezanja svela na minimum. [28].

Osnovna podjela zaštite je prema vrsti šticećenog elementa i prema načinu zaštite SN mreže. Prema vrsti šticećenog objekta moguća je zaštita generatora, transformatora, vodova, sabirnica, motora i mreže [29]. U ovome radu naglasak istraživanja biti će na primjeru nadstrujne zaštite vodova. Sljedeća podjela je prema načinu zaštite VN mreže i ukratko će biti definirana svaka od njih. Nadstrujna zaštita djeluje na povećanje iznosa struje, odnosno kada struja premaši unaprijed podešenu vrijednost. i široko su rasprostranjeni u sustavu. Kasnije će biti detaljno prikazano djelovanje svih vrsta nadstrujne zaštite i primjena na elementima mreže. Diferencijalna zaštita temelji se na diferencijalnim relejima i najčešće se primjenjuje kod zaštite transformatora, uspoređujući primarnu i sekundarnu struju, te reagira ukoliko je razlika veća od unaprijed podešene vrijednosti. Distantna zaštita predstavlja najšire korištenu zaštitu u VN mrežama. Koriste se složeni distantni releji koji mjere napon i struju na mjestu kvara, a vrijeme djelovanja im je proporcionalno udaljenosti od mjesta kvara – najbliži kvarovi se isključuju najbrže i obrnuto.

### 3.3 Utjecaj statičkog podešenja relejne zaštite na selektivnost zaštite

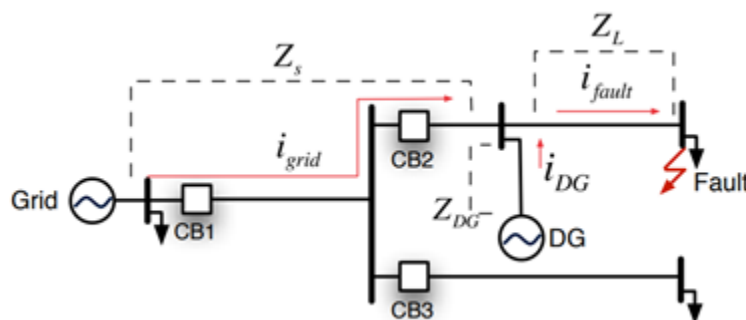
#### 3.3.1 Problemi zaštite kod priključenih DI

Distribucijska mreža je donedavno imala pasivnu ulogu, bile su projektirane za jednosmjerni tok snaga od napojnih trafostanica prema potrošačima. Sukladno tome podešava se relejna zaštita gdje je potrebno koordinirati nadstrujne releje i pri tome paziti na selektivnost zaštite. Tipično, koordinacija releja se radi od izvora (trafostanice) prema potrošačima, gdje se prilikom pojave kvara prvo izolira dio mreže najbliži trafostanici i traje sve dok se kvar ne ukloni.

Pretpostavka o jednosmjernom toku snage ne vrijedi kada su DI prisutni u distribucijskoj mreži. Uz više izvora spojenih na mrežu, snaga može teći prema napojnoj trafostanici, utječući na koordinaciju i rad standardnih shema nadstrujne zaštite.

Neselektivni isklop, neuspješno otklanjanje kvara i nemogućnost detekcije otočnog rada glavni su problemi povezani s upotrebom DI u mreži. Operatori sustava pokušavaju odgovoriti na te izazove na način da se strogo ograniči broj, veličina i lokacija DI u mreži. Odnosi se na potencijalnu situaciju kada zaštitni relej kod pojave kvara vidi manju struju zbog doprinosa DI te zbog toga ne izolira kvar. Na slici 3.1 prikazan je jednostavna mreža u kojoj se dogodio kvar na kraju voda. U slučaju da nema spojenog DI, sav doprinos struji kratkog spoja  $I_{ks}$  dolazi iz mreže  $I_{mreza}$ , što bi rezultiralo velikim iznosom  $I_{ks}$  koju bi relej CB2 detektirao i izolirao kvar. Međutim, kada je u mreži priključen DI, on doprinosi struji kvara  $I_{ks}$  u iznosu  $I_{di}$ . Time CB2 vidi manji iznos struje mreže i potencijalno neće izolirati kvar.[30].

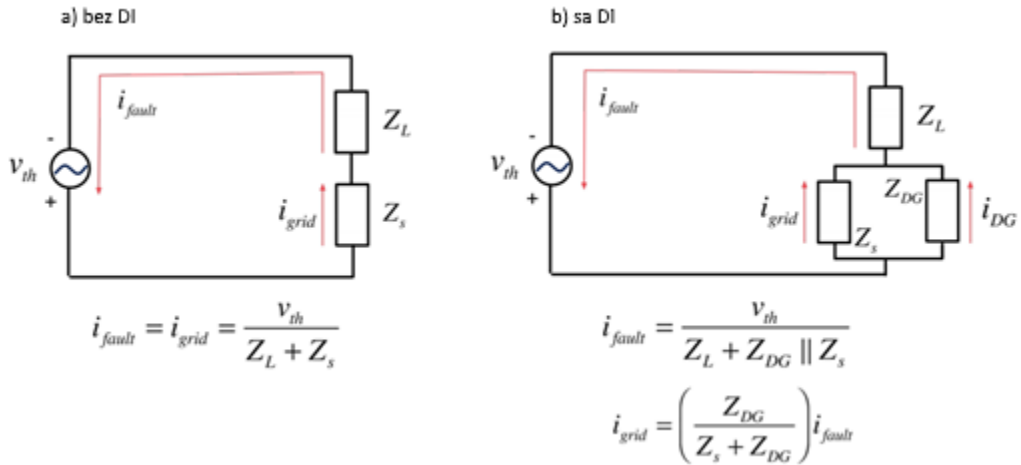
U nedostatku DI, kvar na navedenom mjestu u potpunosti bi se napajao iz mreže, što bi dovelo do toga da relej na CB2 detektira veliku struju kvara. Međutim, kada je DI prisutna u mreži onda daje svoj doprinos struji kvara  $I_{DG}$ .



Slika 3.1: Doprinos struji kvara



Ekvivalent mreže za slučaj bez DI i za slučaj sa DI na mreži:



**Slika 3.2:** Ekvivalentne mreže za slučaj bez DI i za slučaj sa DI na mreži

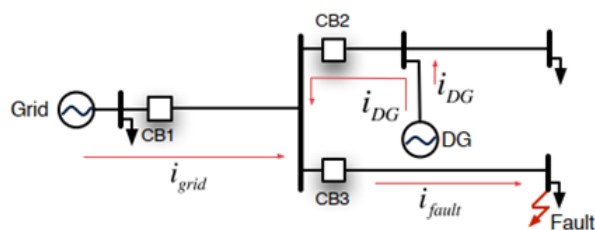
U izrazima 3.1 i 3.2 prikazan je doprinosi mreža struji kvara  $I_{ks}$  za slučajeve sa i bez priključenog DI. Prema 3.2), može se vidjeti da je doprinos struje  $I_{mrea}$  manji kada je DI spojen na mrežu. Struja koju vidi relej na CB2 je posljedično manja, što potencijalno sprječava otkrivanje i izolaciju kvara.

$$I_{mreza(bezDI)} = \frac{v_{th}}{Z_L + Z_s} \quad (3.1)$$

$$I_{mreza(saDI)} = \frac{v_{th}}{Z_L + Z_s + \frac{Z_s Z_L}{Z_{DI}}} \quad (3.2)$$

Neselektivno isklop podrazumijeva situaciju kada dođe do prorade zaštite u vodu u kojem nije kvar zbog toga jer  $I_{di}$  ima suprotan smjer i na taj način doprinosi struji  $I_{ks}$ . Na slici 3.3 prikazan je primjer mreže sa DI gdje se dogodio kvar na kraju drugog voda. U slučaju da nema spojenog DI na mreži, sav doprinos struji  $I_{ks}$  dolazi iz  $I_{mrea}$  te bi relej CB3 detektirao i izolirao kvar. Međutim, u slučaju kada je DI spojen na prvom vodu, struja  $I_{di}$  bi također napajala kvar. U slučaju da je struja  $I_{di}$  dovoljno velika može doći do prorade i neselektivnog isklopa releja CB2.

Kada je više DI u mreži, to predstavlja još veći problem za uklanjanje kvarova i aktivaciju APU-a. U slučaju da je proradila glavna zaštita u trafostanici, a DI su još uvijek spojeni i napajaju mrežu, tada dolazi do otočnog rada izoliranog dijela mreže. Kako DI još uvijek proizvode energiju, prorada APU-a u trafostanici bi bila neuspješna, te bi DI i dalje napajali otok. Osim neuspješnog APU-a, mogući je problem u različitim frekvencijama mreže i otoka gdje se može



Slika 3.3: Neselektivni isklon CB2

dogoditi da mreža i otok više nisu u sinkronizmu. Prorada APU-a u tom slučaju može biti vrlo opasna jer bi uzrokovala velike iznose struje kratkog spoja, napona i zakretnog momenta, što bi potencijalno oštetilo DI i bilo jako opasno za ljudi u blizini. Kako je već spomenuto, prema mrežnim pravilima distribucijskog sustava u Hrvatskoj [11], otočni rad je zabranjen i svaki DI je dužan detektirati otočni rad i pravovremeno se odvojiti od mreže.

### 3.3.2 Princip zaštite radijalnih mreža

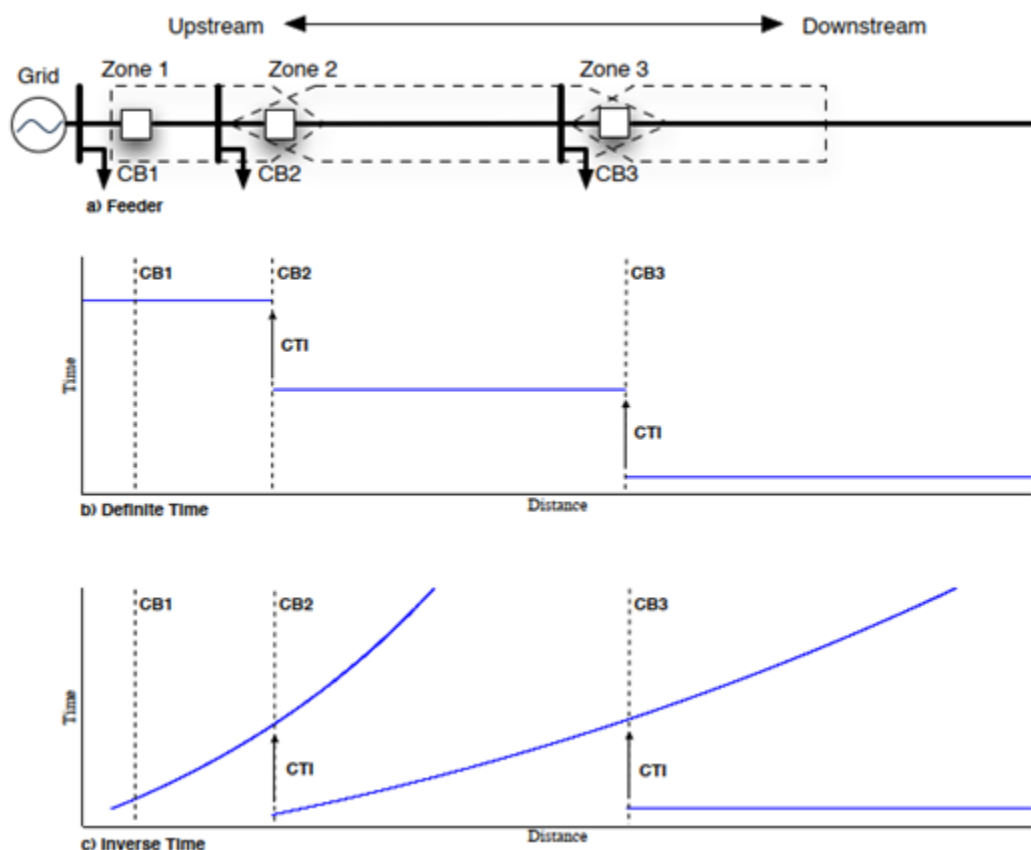
Shema relejne zaštite u distribucijskoj mreži ima za cilj izolirati kvarove u zadanom vremenskom okviru kako bi se spriječio nastanak oštećenja na opremi i potencijalno ugrozilo sigurnost ljudi. U procesu izolacije kvara, potrebno je odvojiti najmanji dio mreže, a da pri tome što veći dio korisnika mreže i dalje ima napajanje.

U radijalnom napajanom vodu postoji samo jedan izvor, što rezultira strujom koja teče samo u jednom smjeru. Releji su koordinirani u uzvodnom smjeru, u kojem su jedinice koje su najudaljenije od mrežnog priključka konfigurirane da prve otklone kvar. Kao što je prikazano u jednostavnom radijalnom vodu na slici 3.4, kvarove na vodu uklanjaju se otvaranjem prekidača u smjeru izvora napajanja tj mreže. Svaki par releja i prekidača (CB1, CB2, CB3) odgovoran je za uklanjanje kvarova u svojoj zoni zaštite (Zona 1, Zona 2, Zona 3), te kao rezervna zaštita za ostale zone. Releji su vremenski stupnjevani, tako da su u slučaju kvara, releji bliže mreži imaju veće vrijeme isklopa od onih duž voda. Taj koordinacijski vremenski interval omogućuje vrijeme za izolaciju kvara prije isklopa rezervnih zaštita [30].

Releji nadstrujne zaštite mogu biti:

- nadstrujni relej s neovisnom vremenskom karakteristikom
- nadstrujni relej s ovisnom vremenskom karakteristikom

Na slici 3.4 prikana je karakteristika oba tipa releja.



Slika 3.4: Zaštita radijalnog voda - zone i vremenska karakteristika

### 3.4 Koordinacija nadstrujnih releja

Zadatak sustava relejne zaštite je da otkrije i otkloni kvar u što kraćem vremenu, te izolira dio mreže koji je u kvaru. S obzirom da glavni sustav zaštite nekad zna zatajiti (kvar releja ili kvar prekidača), ostala zaštita treba djelovati kao rezervna bila ona u istoj ili susjednoj trafostanici sa vremenskim pomakom u skladu sa zahtjevima selektivnosti. Postavljanje vremenskog pomaka (zatezanja) na svim rezervnim relejima zove se koordinacija zaštitnih releja u mreži. Koordinacija je nužna kako bi se mogla postići zadovoljavajuća razina selektivnosti prorade zaštite.

Prvo pravilo podešenja zaštite je da relej treba odraditi za kvarove u njegovoj zoni. Drugo pravilo je da relej ne smije odraditi za kvarove izvan zone, osim u slučaju prorade kao rezervna zaštita. Da bi se primarna i rezervna zaštita mogle koordinirati potrebno je preko isklopne karakteristike podesiti vremensko zatezanje rezervnog releja da omogući primarnom releji da prvi otkloni kvar.

Nekoliko je predloženih metoda dostupno u literaturi. Metode se mogu podijeliti u tri klase: pokušaj i pogreška, metoda topološke analize, metoda optimiziranja [31]. Rješenja predložena u prve dvije metode nisu optimalna, jer su postavke multiplikatora vremenske karakteristike

(TMS) releja relativno visoke. U metodi optimiziranja, isklompna vremena releje su minimizirana, predmet su tzv. koordiniranih ograničenja, isklompnih krivulja releja i ograničenja u postavkama releja.

### 3.5 Nadstrujna zaštita i vremensko stupnjevanje

Ranije je objašnjena uloga nadstrujnih releja u sustavu zaštite, pa će se ovdje dublje ući u tematiku nadstrujne zaštite i njenih najbitnijih karakteristika što se tiče vremenskog podešenja. Nadstrujna zaštita se ostvaruje nadstrujnim relejima koji se uglavnom priključuju preko SMT (čije je djelovanje objašnjeno u prethodnom poglavlju) na sekundarnu stranu. Osim podešenja vrijednosti struje prorade, trenutak djelovanja releja moguće je podesiti preko vremenskog člana i na taj način ostvariti svojstvo selektivnosti. Prema tom zahtjevu vremenskog člana poznati su sljedeći releji: trenutni nadstrujni relej, nadstrujni relej s neovisnom vremenskom karakteristikom, nadstrujni relej s ovisnom vremenskom karakteristikom.

#### 3.5.1 *Trenutni nadstrujni relej*

Upotreba ovakvih releja u praksi je česta i služi za trenutno isključivanje velikih struja kratkih spojeva. Pojam trenutno se može staviti pod navodnike jer takav relej, iako ima brzo djelovanje, ima vlastito vrijeme kašnjenja reda 10 – 100 ms (veće vlastito vrijeme kašnjenja ako je riječ o elektromehaničkoj izvedbi releja). Služi isključivo za sprječavanje nastanka velike štete na šticećenim objektima uslijed nastanka kratkog spoja i gotovo nikad se ne upotrebljava samostalno, već u kombinaciji sa ostalim zaštitama.

Relej proraduje čim je vrijednost struje veća od zadane vrijednosti. Nema mogućnosti postavljanja vremenske odgode isklopa. Ovo je ujedno i najjednostavniji oblik nadstrujne zaštite.

Kvaliteta trenutnih nadstrujnih releja ocjenjuje se faktorom ili omjerom otpuštanja:

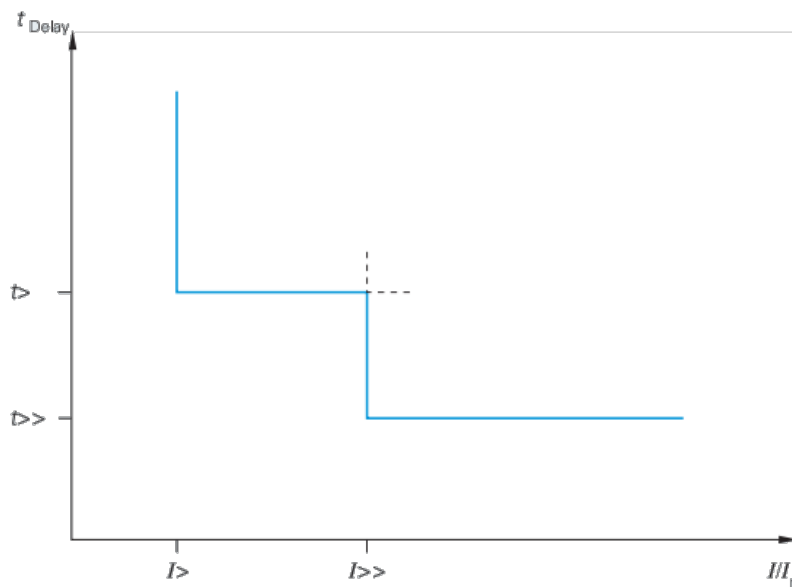
$$\alpha = \frac{I_0}{I_{pr}} \quad (3.3)$$

gdje je:  $\alpha$  omjer otpuštanja,  $I_0$  struja otpuštanja,  $I_{pr}$  podešena vrijednost struje ili struja prorade

Prema međunarodnim standardima ANSI/IEEE zaštitna funkcija trenutne nadstrujne zaštite ima oznaku 50, a IEC oznaka za trenutni nadstrujni relej je  $I >>$ .

### 3.5.2 Nadstrujni relej s neovisnom vremenskom karakteristikom

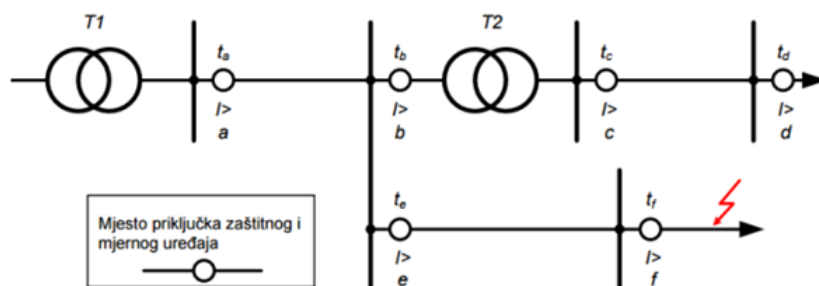
Nadstrujni releji s neovisnom vremenskom karakteristikom djeluju kada vrijednost struje prekorači podešenu vrijednost, ali tek nakon isteka vremenskog podešenja. Drugim riječima, ne ovisi o iznosu struje već samo vremenu koje se može podesiti. Ovakvi releji zovu se još i maksimalni strujni neovisni releji, IEC oznaka I>. Karakteristika takvog releja prikazana je na slici 3.5.



Slika 3.5: Nadstrujni relej s neovisnom vremenskom karakteristikom

Iz slike 3.5 je vidljivo da relej nikad ne bi eliminirao struju kratkog spoja, bez obzira na njenu vrijednost, ukoliko se ne prijeđe granica vremenskog podešenja releja. Kako bi se takvo stanje izbjeglo, ovakvi relejima se dodaje i trenutni vremenski član.

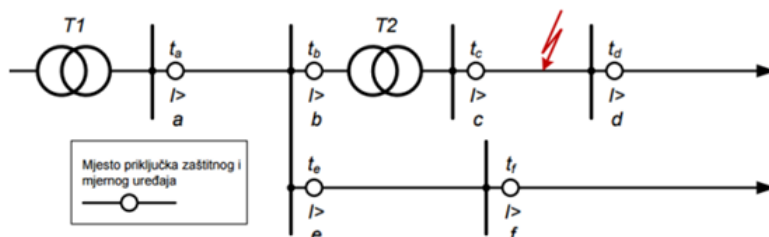
Ako u sustavu postoji više neovisnih nadstrujnih releja potrebno je napraviti vremensko stupnjevanje, u suprotnom će se dogoditi situacija sa slike 3.6.



Slika 3.6: Primjer neovisne nadstrujne zaštite bez vremenskog podešenja [32]

Ako se pretpostavi da releji  $a$ ,  $e$ ,  $f$  imaju jednaka vremenska podešenja, te se kratki spoj

dogodi na dijelu mreže kako je prikazano crvenom strelicom, svi releji će istovremeno reagirati i dati signal za isključenje prekidača. To znači da će doći do neselektivnog isklopa i ostatak mreže će ostati bez napajanja, što se ne smije dogoditi. Potrebno je napraviti vremensko zatezanje svakog releja i to tako da releji najudaljeniji od izvora energije imaju najmanje vrijeme reagiranja. Sa stajališta osnovne i rezervne zaštite moguća je iduća situacija kao na slici 3.7.



Slika 3.7: Vremensko stupnjevanje zaštite za KS na gornjem vodu [32]

Prema navedenom pravilu vremenskog podešavanja, u ovom slučaju, relej na mjestu c predstavlja osnovnu zaštitu ukoliko dođe do kratkog spoja kako je prikazano na gornjoj slici. Releji na mjestima a, b neće reagirati i ostatak mreže će biti u normalnom pogonu. Ako zakaže zaštita na mjestu c sljedeći će reagirati relej na mjestu b i isključuje ostatak mreže. U tom slučaju relej na mjestu b predstavlja rezervnu zaštitu zbog većeg vremenskog podešenja.

### 3.5.3 Nadstrujni relej s ovisnom vremenskom karakteristikom

Prethodno prikazana metoda vremenskog stupnjevanja nadstrujne zaštite je načelno dobra, ali ne uzima u obzir odnos između struje i vremena. Za ispunjenje zahtjeva selektivnosti primjenjuju se nadstrujni releji s ovisnom – vremenski inverznom karakteristikom, koji će reagirati u slučaju prekoračenja podešene vrijednosti struje, a djelovati tek nakon isteka vremena ovisno o iznosu struje koja protječe kroz relej. Vrijeme djelovanja takvog releja može se izračunati izrazom:

$$t_r = \frac{k \times \beta}{\left(\frac{I}{I_{pr}}\right)^\alpha - 1} \quad (3.4)$$

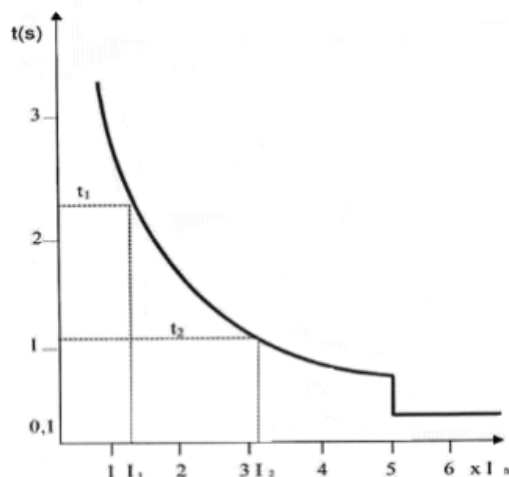
Vrijednosti konstrukcijskih konstanti prikazane su u tablici 4.1., a propisane su od strane proizvođača opreme. Za primjer je uzet relej Siemens 7SJ62 [33].

Karakteristika  $I = f(t)$  prikazana je slikom 3.8, u kombinaciji sa trenutnim nadstrujnim relejem.

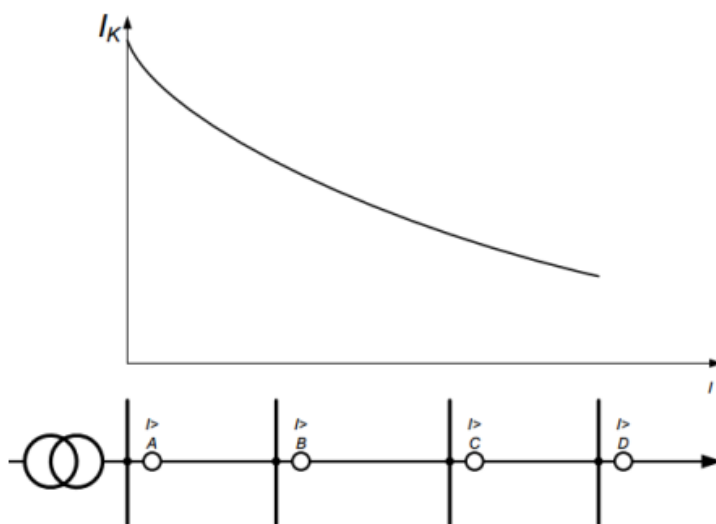
Neka imamo situaciju sa slike 3.9, tada je potrebno koristiti ovisne nadstrujne releje zato

**Tablica 3.1:** Konstante releja

$\alpha$	$\beta$	Tip karakteristike
0,02	0,14	normalno inverzna
1,00	13,50	vrlo inverzna
2,00	80	ekstremno inverzna
1,00	120	inverzna s dugim vremenom



**Slika 3.8:** Kombinirana izvedba vremeni ovisnog i trenutnog nadstrujnog releja



**Slika 3.9:** Primjena ovisnog nadstrujnog releja

što struja kratkog spoja ovisi o impedanciji mreža, pa iznos struje nije isti na kraju i na početku mreže.

Gledajući gornju sliku, ako je kratki spoj blizu izvora napajanja, struja kratkog spoja će biti

najveća iza releja A zbog manje impedancije sustava i vrijeme djelovanja releja će biti najveće. Obrnuto vrijedi ako je kratki spoj iza releja D. U tom slučaju nadstrujni releji s vremenski inverznom karakteristikom mogu ispuniti uvjet selektivnosti



# Poglavlje 4

## Napredna distribucijska mreža

### 4.1 Uvod

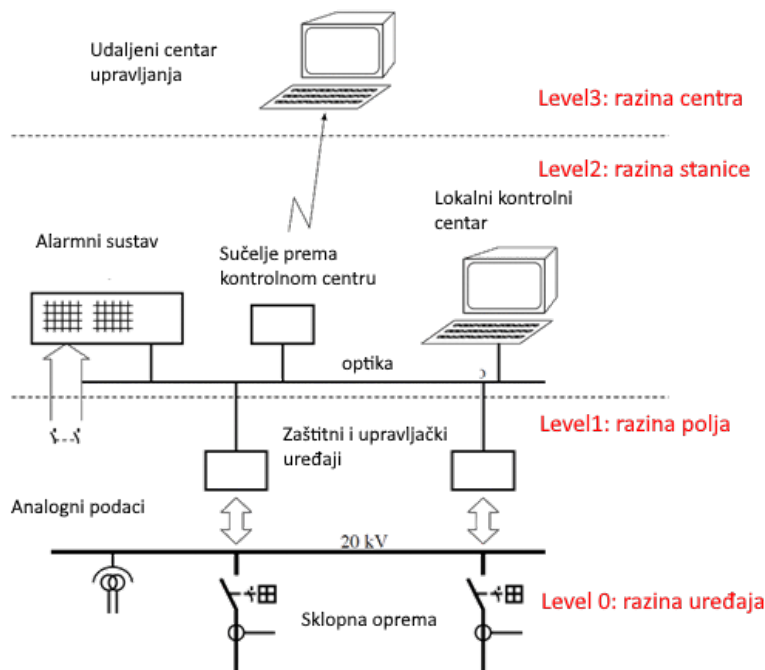
Koncept naprednih distributivnih mreža opisan je u prijašnjim poglavljima. On naglašava važnost primjene pametnih uređaja za zaštitu i mjerenje, pouzdanu komunikacijsku infrastrukturu, visoku sigurnost, optimalni sustav upravljanja energijom i otkrivanje lokacije kvara, izolacija i uspostave napajanja (FLISR). Glavni ciljevi FLISR pristupa su brzo vrijeme detekcije i izolacije kvara, smanjiti minimalni broj prekinutih korisnika i poboljšati pouzdanost distribucije napajanja. Konvencionalni FLISR pristup je korištenje indikatora kvara za procjenu stanja distribucijske mreže i detekciju kvarova, te ručna rekonfiguracija mreže, a zaštita voda je u napojnoj trafostanici. Konvencionalni pristup je neučinkovit i ne može udovoljiti novim zahtjevima. Stoga je potrebno razviti učinkovitije FLISR metode za napredne distribucijske mreže primjenom automatizacije po dubini mreže.

### 4.2 Automatizacija distribucijske mreže

Automatizacija distribucijske mreže (u daljnjem pisanju: ADM) je proces koji koristi operatorima sustava ali i korisnicima mreže [15]. Pojam ADM podrazumijeva automatizaciju procesa i korisnika unutar distribucijske mreže, a koristi se za upravljanje i nadzor mrežom kroz raznu opremu unutar trafostanica, duž vodova, pa sve to krajnjeg korisnika uključujuću i brojilo. ADM infrastruktura podrazumijeva svu opremu (primarna i sekundarna), sustave komunikacija, kao i sve podatke i software potrebne da bi se cijeli sustav mogao automatizirati. Shematski prikaz ADM infrastrukture prikazan je na slici 4.1. Razvojem i implementacijom ADM moguće

je u mreži:

- nadzor i upravljanje cijelom mrežom (u realnom vremenu)
- automatska rekonfiguracija mreže u slučaju kvara (samoobnavljajuća distribucijska mreža)
- automatska regulacija sustava
- Potpuna primjena koncepta naprednih mreža



Slika 4.1: ADM arhitektura [34]

### 4.3 Adaptivna zaštita

U okruženju naprednih mreža gdje broj priključenih DI u mreži nije fiksno, već je ovisan o vremenskim prilikama, stanju na tržištu, raspoloživosti DI i sl, mreža postaje aktivna i potrebne su adaptivne metode zaštite da bi se udovoljilo ovim zahtjevima. DI u mreži može utjecati na iznos i smjer struje kvara te u najgorem slučaju može dovesti do neselektivnog isklopa voda u kojem je priključen DI ili isklop samog DI sa mreže. Utjecaj DI na zaštitu u distribucijskoj mreži detaljnije je opisan u [34] [35].

Da bi se postigla puna funkcionalnost adaptivne zaštite nužno je da uređaji relejne zaštite međusobno komuniciraju u stvarnom vremenu. Stoga potrebna je odgovarajuća komunikacijska infrastruktura koja će omogućiti intenzivnu razmjenu informacija. Uređaji relejne zaštite koriste komunikacijsku infrastrukturu u okviru naprednih mreža što je detaljnije obrađeno u [36] [37] [38].

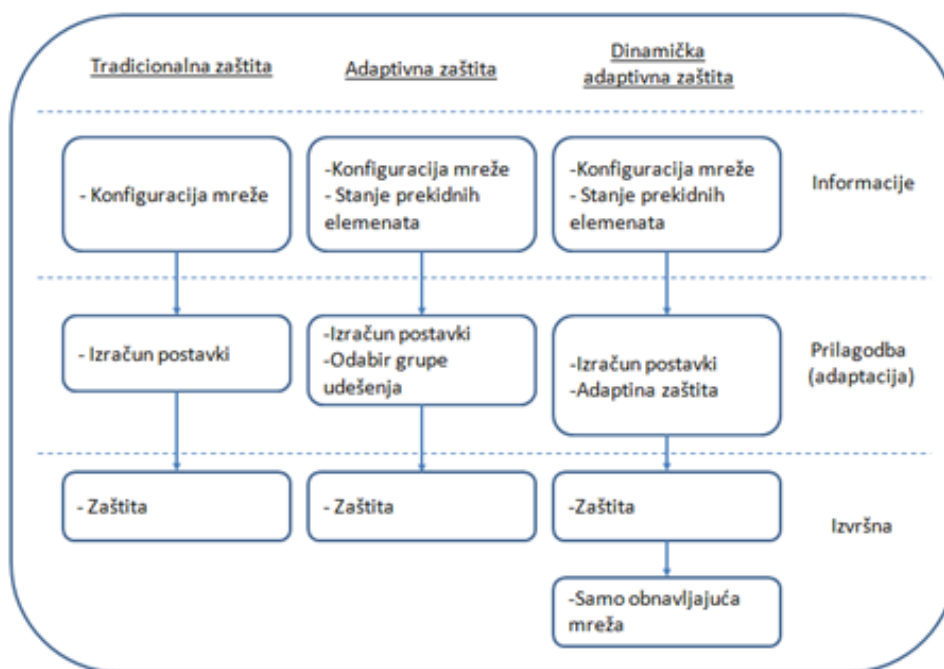
Da bi zaštita bila adaptivna potrebna je razmjena određenih informacija o promjenama koje se odvijaju u mreži, a koje imaju utjecaj na postavke zaštite u zaštitnim relejima. Moguće je da neki novi zahtjevi neće moći biti udovoljeni sa trenutnim postavkama zaštite, već će trebati upotrijebiti novu zaštitnu funkciju.

Neke od najvažnijih informacija o stanju distribucijske mreže koje je potrebno razmjenjivati su konfiguracija mreže, uklopno stanje i proizvodnja DI. Konfiguracija mreže je bitna informacija jer određuje uklopno stanje prekidnih uređaja u mreži (prekidači, recloseri, rastavljači, rastavne sklopke), te određuje granice mreže i ukupnu duljinu mreže spojene na primarnu trafostanicu. Kako je broj DI spojnih na mrežu varijabilan, potrebno je znati koji DI su spojeni na mrežu i kolika je njihova proizvodnja.

Kako zaštitni releji i zaštitne sheme postaju napredniji, tako je sve teže odrediti granicu između područja zaštite i područja upravljanja, jer sada jedan uređaj objedinjuje dvije funkcije [39]. Neke funkcije poput rekonfiguracija mreže teško je kategorizirati jer to je istovremeno funkcija zaštite, ali i upravljanja. Strategije adaptivne zaštite i strategije upravljanja su vrlo slične jer da bi ispravno radili adaptivna zaštita zahtjeva povratnu informaciju od sustava upravljanja, a sustav upravljanja zahtjeva povratnu informaciju od sustava zaštite. Razvidno je da su u okviru naprednih mreža sustavi zaštite i upravljanja toliko povezani da ih možemo smatrati jednom cjelinom.

Adaptivnost zaštite može se postići na razne načine, ali isto tako razlikujemo različite razine implementacije adaptivnosti. Ovisno o trenutnom stanju mreže i razini implementacije naprednih mreža, razina adaptivnosti ide od konvencionalne zaštite bez adaptivnost, pa sve do potpune primjene adaptivna zaštite u okruženju naprednih mreža [9]. Razine implementacije adaptivne zaštite prikazane su na slici 4.2.

Na slici 4.2, isprekidanim horizontalnim linijama opisana je implementacija adaptivne zaštite u tri stupnja. Prvi stupanj „Informacije“ je razina gdje se prikupljaju podaci o konfiguraciji mreže. U drugom stupnju „prilagodba –adaptacija“ sustav zaštite se adaptira na trenutne zahtjeve na temelju prikupljenih informacija. Na vertikalnoj razini „Adaptivna zaštita“ i „Dinamička Adaptivna zaštita“ postavke i funkcije zaštite se automatski mijenjaju, uz dodatak da se u „Dinamička Adaptivna zaštita“ određuje strategija samoobnavljajuće mreže u skladu sa trenutnim stanjem mreže. Navedene radnje se provode automatski bez ljudske intervencije, dok kod konvencionalne sheme zaštite, potrebna je ljudska intervencija u slučaju adaptacije zaštite. Treća razina „Izvršna“ predstavlja izvršne članove i funkcije.



Slika 4.2: Razine implementacije adaptivne zaštite

### 4.3.1 Statička adaptivna zaštita

U razini „Adaptivna zaštita“ trajno se nadzire uklopno stanje svih elemenata mreže i kada se detektira promjena, postavke zaštite se mijenjaju u skladu s promjenom, te se po potrebi dodaju nove funkcije. Princip rada zaštite od indikacije do izolacije kvara ostaje isti kao prije. Najveća razlika u odnosu na konvencionalnu zaštitu je potreba da se trajno nadzire uklopno stanje svih elemenata mreže i kada se detektira promjena, postavke zaštite se mijenjaju u skladu sa novim stanjem mreže.

Ova razina se još zove „Statička adaptivna zaštita“ jer su izmjene udešenja zaštite statički podešena u terminalima polja kao predefimirani scenariji (predefimirane grupe podešenja u terminalima polja). Unaprijed se radi proračun za predefimirane moguće konfiguracije mreže i stanja DI. Radi se onoliko proračuna koliko ima mogućih stanja u mreži. Nedostatak statičke adaptivnosti je ograničenje na određeni broj mogućih konfiguracija u mreži. Integracijom DI postaje nemoguće predvidjeti točan broj scenarija koji bi predvidjeli sva moguća stanja mreže. Drugi problem je fizičko ograničenje memorije zaštitnog releja. Danas je u nekim uređajima, npr. Siprotec Siemens, moguće koristiti do 8 grupa podešenja [39], što uskoro neće biti dovoljno za primjenu u mrežama s visokim stupnjem integracije DI.

### **4.3.2 Dinamička adaptivna zaštita**

Razina „Dinamička adaptivna zaštita“ podrazumijeva primjenu samoobnavljajuće mreže. Zaštita i strategija samoobnavljanja mogu raditi paralelno kada zaštita izolira kvar, a istovremeno provodi se strategija samoobnavljanja mreže. U ovom slučaju sustav zaštite i sustav upravljanja rade zajedno. Najbitnija značajka je da se adaptivnost primjenjuje na zaštitne, ali i na upravljačke funkcije.

Podešenja zaštitnih releje nisu predefinicirana, već se računaju u centru upravljanja (aplikacija u SCADA) na način da se pronađe optimalno rješenje za trenutno stanje u mreži. Centralni sustav detektira promjene u mreži bilo rekonfiguracija mreže ili promjena uklopnog stanja DI, te nakon izračuna novih postavki, iste automatski šalje u zaštitne releje. S obzirom na mogućnosti i fleksibilnost ovakvog sustava, moguće je štititi sustav na optimalan način te izbjeći neselektivne iskllope.

SCADA sustav nadzire i upravlja dijelom mreže za koji je zadužen. Sustav prati sve izmjene u mreži u realnom vremenu, te odmah signalizira izmjene u centar upravljanja. U centru upravljanja odvija se algoritam koji radi analizu trenutnog stanja mreže te uspoređuje s prošlim stanjem. Na temelju novog stanja mreže algoritam procjenjuje da li je potrebno raditi topološku izmjene konfiguracije mreže, te da li je potrebno mijenjati udešenja zaštite za pojedini relej u mreži. Ako algoritam procjeni da je potrebno promijeniti postavke releja, centralni sustav će se adaptirati na novonastalu situaciju na način da će provesti optimizaciju koordinacije postavki zaštite, te nove postavke poslati u releje preko komunikacije sa staničnim računalom. Kada releji promjene postavke, šalju potvrdu o uspješnoj izmjeni u centar

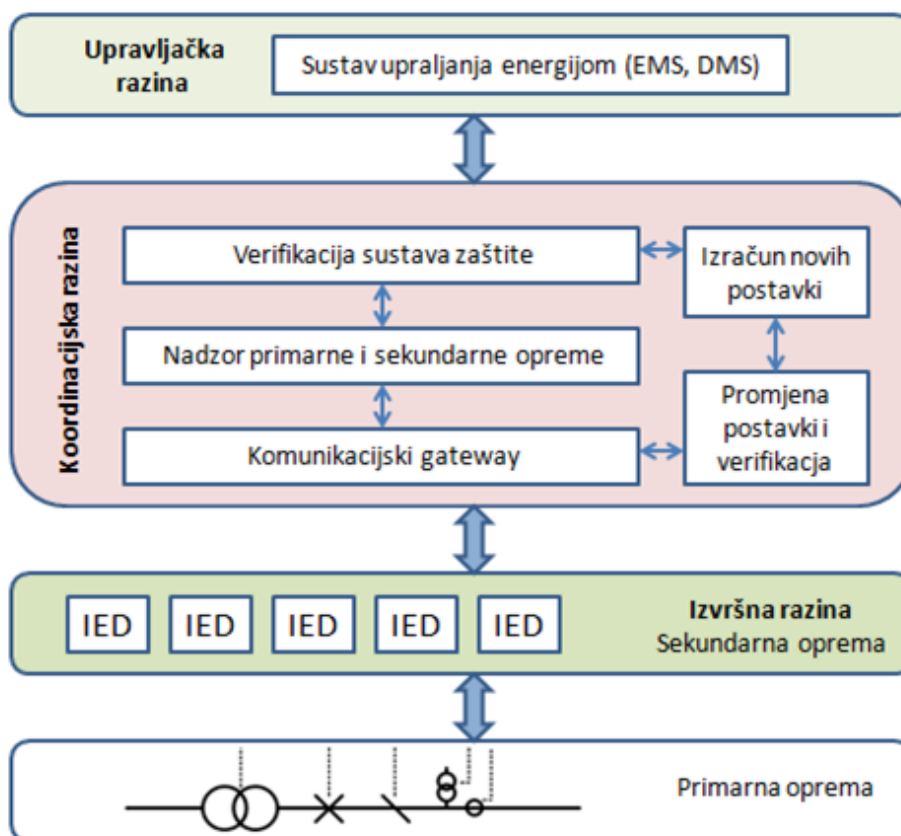
## **4.4 Arhitektura sustava**

S obzirom na način vođenja i upravljanja mrežom koriste se centralizirani i decentralizirani sustav upravljanja. Tradicionalno u EES se koriste centralizirani sustavi upravljanja, ali zbog velikih promjena u EES u posljednje vrijeme sve je više prisutnih decentraliziranih sustava upravljanja, ovisno o primjeni.

### **4.4.1 Centralizirani sustav**

Kod centraliziranog sustava upravljanja velika količina podatka se razmjenjuje između nadređenog centra i uređaja. Komunikacija je više vertikalna. Stanje primarne opreme i udešenja

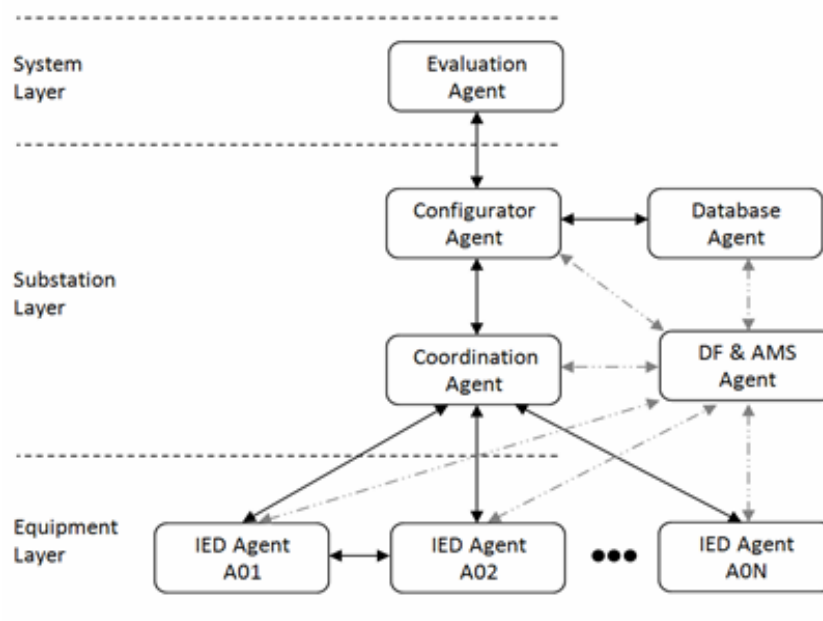
zaštite prenose se u nadređeni centar koji određuje postavke za pojedini relej da odgovaraju trenutnom stanju mreže. Prednost centraliziranih sustava je poznata tehnologija, ali nedostatak je ograničena robusnost sustava i mogućnost prilagodbe na sve veći broj DI u mreži. Primjer centraliziranog sustava upravljanja prikazan je na slici 4.3.



Slika 4.3: Centralizirani sustav upravljanja

#### 4.4.2 Decentralizirani sustav

Kod decentraliziranih sustava upravljanja uređaji komuniciraju i razmjenjuju informacije između sebe te je razina odlučivanja svedena lokalno, a ne daljinsku. Sa stajališta razmjene informacija decentralizirani sustav je brži i efikasniji, ali problem je povećanom broju komunikacijskih nivoa, što značajno komplicira arhitekturu. Također, treba uzeti u obzir i fizička ograničenja uređaja. Sadašnji uređaji relejne zaštite nisu u mogućnosti implementirati distribuirane algoritme. Stoga potrebno je dodati nove uređaje odnosno “agente”. Više nivoa upravljanja, više uređaja povećavaju nepouzdanost sustava. Na slici 4.4 prikazan je primjer decentraliziranog sustava upravljanja temeljen na multiagentskim sustavima.



Slika 4.4: Multiagentski sustav MAS

## 4.5 Model samoobnavljajuće mreže

Osnovna ideja samoobnavljajuće mreže je automatizacija procesa ručnog rekonfiguriranja mreže prilikom izolacije kvara, te da se skрати vrijeme trajanja prekida napajanja [40]. Tehnologiju samoobnavljajuće mreže moguće je primijeniti u kabelskoj mreži i na nadzemnim vodovima [41]. Kao osnovna primarna oprema u kabelskoj mreži koriste se daljinski upravljivi SN sklopni blokovi (RMU – eng. ring main unit), dok se u nadzemnim vodovima koriste daljinski upravljivi prekidači (RC – eng. recloser) i daljinski upravljive rastavna sklopke (LBS - eng. load break switch). S obzirom na ugrađenu opremu, dostupnosti komunikacijske infrastrukture, te stupanj automatizacije mreže razlikujemo više modela samoobnavljajućih mreža, kao što je prikazano na slici 1. Osnovna raspodjela je na decentralizirani i centralizirani sustav upravljanja, unutar kojih razlikujemo nekoliko modela[42]:

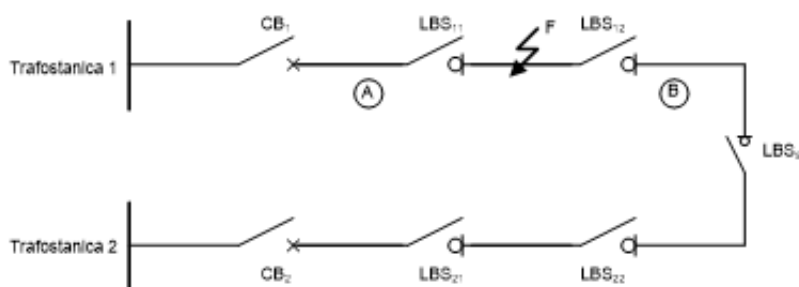
1. Model 1 – razina uređaja (Feeder) – decentralizirani sustav -
  - a. bez komunikacijske infrastrukture
  - b. Peer-to-peer (IEC 61850)
2. Model 2 – razina kontrolnog centra (SCADA, Primarna trafostanica)

### 4.5.1 Model 1 – razina uređaja – decentralizirani sustav

Karakteristika ovoga modela je decentralizirani sustav upravljanja na razini uređaja, tj. ne koristi se nadređeni sustav za odlučivanje. Najčešće se koristi u mrežama prstenaste strukture koje se vode kao radijalne koristeći normalno otvorenu točku (rasklopno mjesto), gdje je moguće napajanje potrošača sa drugoga voda u slučaju kvara. Unutar modela razlikujemo dva podmodela zavisno o korištenju komunikacijske infrastrukture: bez komunikacijske infrastrukture i Peer-to-peer model sa korištenjem komunikacijske infrastrukture

#### 1. Bez komunikacijske infrastrukture

Najjednostavniji model samo-obnavljajuće mreže, koji je danas najčešći model u primjeni jer ne zahtijeva komunikacijsku infrastrukturu. Za prekid kvara koriste se prekidači iz primarne trafostanice, a za izolaciju kvara koriste se rastavne sklopke. Koordinacije zaštite radi se korištenjem standardnih zaštitnih krivljava i predefiniраниh intervala automatskog ponovnog uklopa (APU). Metoda radi na principu da se kvarovi detektiraju i otklanjaju u primarnim trafostanicama

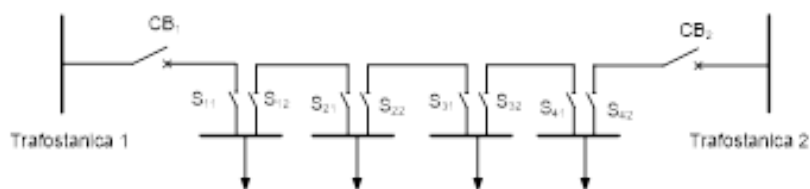


Slika 4.5: Model bez komunikacijske infrastrukture

Algoritam modela može se primijeniti na primjeru nadzemne mreže na slici 4.5, normalnom otvorenom točkom LBS tie. Kod pojave kvara F, prekidač CB1 će detektirati kvar i isključiti. Na taj način cijel sekcija od CB1 do LBS tie ostaje bez napona. Izoliranje kvara radi se ručno, na način da se fizički ide od stanice do stanice i traži se indikator kvara koji odradio, te se tamo otvara rastavna sklopka (LBS12). Zatim se fizički ide do napojne stanice kako bi se također otvorila rastavna sklopka (LBS11), na taj način se izolirao kvar. Tek sada se može uklopiti prekidač CB1 i zatvoriti rastavna sklopka LBS tie kako bi se uspostavilo napajanje na „zdravom“ dijelu mreže. Isti algoritam primjenjuje se kod kabelskih mreža, prikazano na slici 4.6.

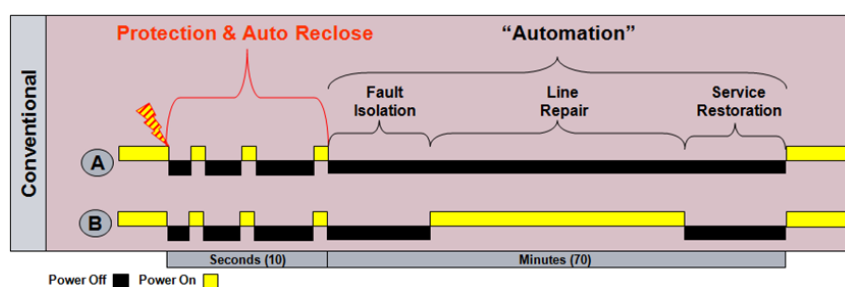
Ovaj model ne zahtijeva velika ulaganja i može se brzo implementirati u postojeće mreže. Veliki nedostatak je dugo vrijeme potrebno da se otkrije gdje je došlo do kvara, te da se kvar izolira i obnovi napajanje. Kod dugačkih vodova vrijeme bez napajanja može potrajati satima, kako je prikazano na slici 4.7 [5]. Ovom metodom veliki broj korisnika mreže





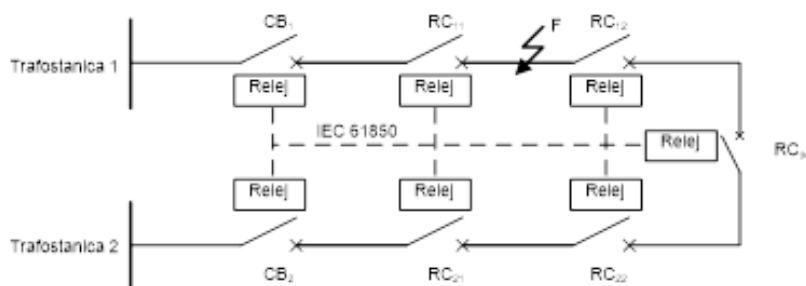
Slika 4.6: Kabelska mreža bez komunikacije

ostaje bez napajanja iako se kvar nije desio na njihovom dijelu mreže. Kod nadzemnih mreža, zbog velikog broja prolaznih kvarova odradit će i APU. U slučaju trajnog kvara, višestruki APU nepotrebno napreže sve dijelove mreže, te na taj način skraćuje životni vijek i njihovu dugoročnu pouzdanost.



Slika 4.7: Vrijeme otklanja kvara u sustavu bez automatike

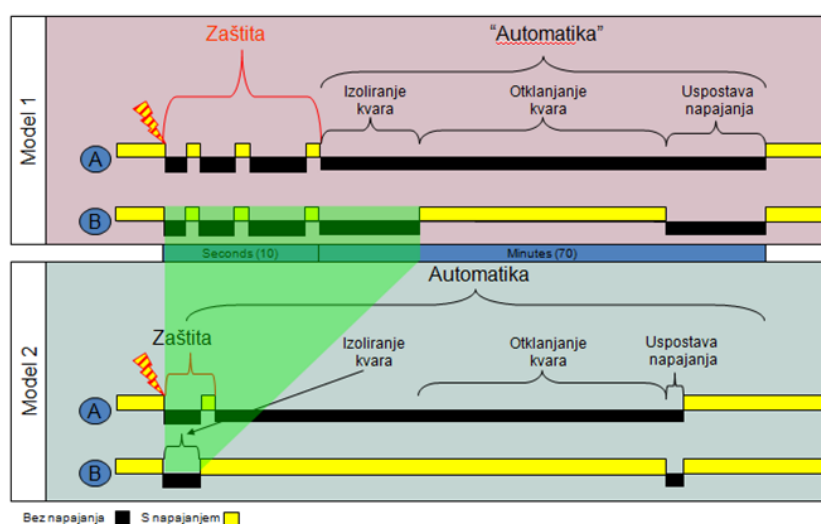
2. Peer-to-peer (IEC 61850) Model decentraliziranog sustava upravljanja na razini uređaja, zahtjeva korištenje komunikacijske infrastrukture preko koje se vrši koordinacija uređaja, kako je prikazano na slici 4.8). Isti model se primjenjuje u projektu samoobnavljajuće mreže Elektra Koprivnica. Peer-to-peer zahtjeva vrlo brzu komunikaciju gdje se prekid, izolacija kvara te rekonfiguracija mreže odvijaju u vremenu manjem od 300 ms. Trenutno je IEC 61850 jedini komunikacijski protokol koji ima rješenje za takve zahtjeve. Koordinacija zaštite i upravljanja vrši se podešavanjem i programiranjem svakog releja zasebno.



Slika 4.8: Nadzemna mreža sa komunikacijom (Peer-to-Peer)

Algoritam modela možemo primijeniti na Sliku 5, s daljinski upravljivim prekidačima  $RC$  i  $RC_{tie}$  kao normalno otvorena točka. Kod pojave kvara  $F$ , svi releji od  $CB1$  do  $RC11$  će

vidjeti kvar. Međusobnom koordinacijom zaštitnih releja, koristeći komunikacijski protokol IEC 61850, ustanovit će se lokacija kvara i redosljed isklapanja. Prvo će isklopotiti *RC11*, zatim *RC121*, a neposredno nakon izolacije kvara uklopit će *RCtie* kako bi se uspostavilo napajanje do *RC121*. Tada počinje ciklus APU na *RC11*. Nakon otklanjanja kvara uspostava napajanja se vrši obrnutim redosljedom od izolacije: prvo uklop *RC11* i *RC12* pa isklup *RCtie*.

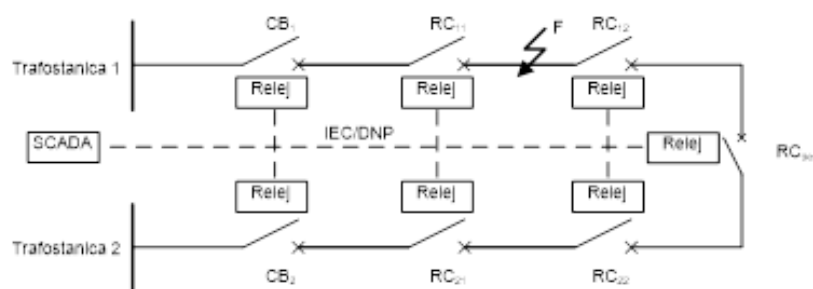


Slika 4.9: Usporedba vremena otklanjanja kvara

Korištenjem *Peer-to-Peer* modela znatno se skraćuje vrijeme trajanja uklopa na u odnosu *Loop automation* model, kako je prikazano na slici 4.9. Tako se znatno poboljšava *SAIDI* i *CAIDI* indeksi. Također, zbog direktnog isklapanja i uklapanja RC-a, bez napajanja ostaje samo onaj dio korisnika koji su zahvaćeni kvarom. Korištenjem komunikacijske infrastrukture, osim koordinacije releje, moguće je vršiti i regulaciju napona i jalove energije. Također, zbog postojeće komunikacijske infrastrukture jednostavnija je (i jeftinija) nadogradnja na viši stupanj automatizacije prema kontrolnim centrima.

#### 4.5.2 Model 2 – razina kontrolnog centra (SCADA, Primarna trafostanica)

Karakteristika modela je viši stupanj automatike i korištenje komunikacijske infrastrukture. Arhitektura sustava temeljena je na centraliziranoj logici upravljanja. Proces izoliranja kvara i obnove napajanja vrši se na razini SCADA sustava primarne trafostanice. U odnosu na *Peer-to-Peer* model upravljanja se vrši preko SCADA staničnog računala, ali koordinacija zaštite se i dalje vrši podešavanjem i programiranjem svakog releja zasebno. Upravljački algoritam može se primijeniti na slici 4.10, s daljinski upravljivim prekidačima (RC) i *RCtie* kao normalno otvorena točka. Kod pojave kvara F, svi releji od CB1

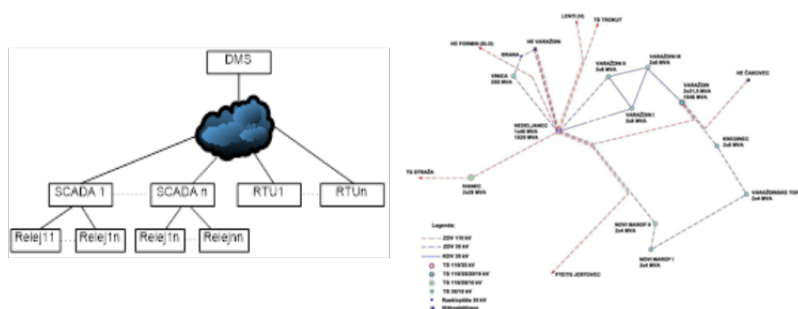


**Slika 4.10:** Nadzemna mreža sa komunikacijom sa SCADA sustavom

do RC11 će vidjeti kvar. U SCADA centru se automatski generira logika redoslijeda isklapanja i logika uspostavljanja napajanja. SCADA daje nalog da se logike izvrše, stoga će istovremeno isklopiti RC11 i RC12, a neposredno nakon izolacije kvara uklopit će RC12 kako bi se uspostavilo napajanje do RC12. Nakon otklanjanja kvara automatski se uspostavlja napajanje između RC11 i RC12. Isti algoritam primjenjuje se kod kabelskih mreža. Nakon otklanjanja kvara uspostava ponovnog napajanja radi se isklapanjem RC12, te istovremenim uklopom RC11 i RC12.

Model 2 predstavlja centraliziran dinamički sustav upravljanja dijelom mreže koji za razliku od ostalih modela automatski generira logiku izolacije kvara i obnove napajanja. Skraćuje vrijeme trajanja isklopa i vremena bez napajanja u odnosu na ostale modele, te se tako znatno poboljšava SAIDI i CAIDI indeksi.

Karakteristika modela je najviši stupanj automatizacije koji se koristi u okruženju naprednih mreža (eng. smart grid). Koordinacije se radi između svih uređaja ali i svih trafostanica u distribucijskoj mreži. Arhitektura sustava temeljena je na centraliziranoj logici upravljanja. Centar upravljanja zove se DMS (eng. Distribution Management System).



**Slika 4.11:** Distribution Management System – DMS

DMS omogućava optimalno upravljanje distribucijskom mrežom i u potpunosti se može primijeniti model samo-obnavljajuće mreže. Zbog preglednosti cijelog sustava, DMS ima mogućnost izolacije kvara i rekonfiguracije mreže na više načina, ovisno o postavljenim parametrima i ciljevima vođenja mreže (tokovi snaga, proizvodnja iz DER, potrošnja, vremenska prognoza i sl). Releji i RTU u polju i dalje nadziru i upravljaju primarnom

opremom. Stanično računalo u SCADA sustavu prikuplja sve podatke i prosljeđuje ih u DMS kontrolni centar. Unutar DMSa generira se logika izolacije kvara i obnove napajanja. Ovaj model je nešto sporiji, ali je puno opsežniji, te daje mogućnost optimalnog rekonfiguriranja mreže.

# Poglavlje 5

## Algoritam optimalne koordinacije adaptivne zaštite

### 5.1 Uvod

Zbog novih zahtjeva na zaštite u naprednoj distribucijskoj mreži, rad nadstrujnih releja mora biti koordiniran i adaptivan na promjene u mreži. Nadstrujni releji štite mrežu od raznih kvarova i poremećaja te da se izbjegnu nepotrebni i neselektivni isklopi. Problem koordinacija nadstrujnih releja je odabir postavki zaštite na takav način da se zadrži osnovna funkcija zaštite, da ista ostane dovoljno osjetljiva, selektivna, pouzdana i brza [43].

Koordinacija nadstrujnih releja se provodi na način da se kod pojave kvara izolira najmanji mogući dio mreže. U formulaciji problema, funkcija cilja je minimizirati ukupno isklopno vrijeme svih primarnih releja. To je proces utvrđivanja optimalnih postavki određenih parametara releja (multiplikator vremenske karakteristike - TMS i struje pobude  $I_p$ ) na način da relej koji je najbliže kvaram isklopi prije svih ostalih releja. U ovom optimizacijskom problemu potrebno je uzeti u obzir razna tehnička ograničenja, uvjetovanima karakteristikom mreže i karakteristikom samog releja, kako bi se osigurao ispravan rad releja.

U literaturi je nekoliko metoda predloženo za rješavanje problema koordinacije nadstrujnih releja. U [44] je predstavljena teorija o koordinaciji nadstrujnih releja korištenjem tehnika linearnog programiranja (LP). Pristup rješavanja problema primjenom teorije grafova opisan je u [45]. U [46] su predloženi genetski algoritmi (GA), u [47] [48] algoritam krijesnica, u [49] PESA.II, gravitacijska pretraga u [50], cuckoo linearni algoritam [51], grey wolf optimiranje [52], a od metoda baziranim na optimizaciji rojem čestica u [52] i [53]. U ovom poglavlju

opisana je koordinacija nadstrujnih releja primjenom algoritma optimalne koordinacije adaptivne zaštite. Algoritam se sastoji od modificirane metode optimizacije rojem čestica naziva GEPSO (eng. Generalized Particle Swarm Optimization). GEPSO metoda je primijenjena kako bi se spriječila prerana konvergencija i kako bi se povećale različitosti čestica u soju te tako se unaprijedile performanse osnovnog PSO algoritma [54]. Hibridna diferencijalna zaštita implementirana je kako bi unaprijedila ukupno vrijeme isklopa na način da detekcija i izolacija kvara bude trenutna [55]. Rezultati optimizacije uspoređeni su sa drugim metodama optimizacije koordinacija nadstrujnih releja dostupnima u literaturi. Korištenje GEPSO metode za optimiranje koordinacije releja predstavlja znanstveni doprinos u ovom području.

## 5.2 Modeliranje karakteristike nadstrujnog releja

Nadstrujni releji uglavnom imaju mogućnost trenutnog isklopa i isklopa u skladu sa vremenski ovisnom karakteristikom. Isklop definiran vremenski ovisnom karakteristikom može se opisati grupom krivulja koje se određuju vremenskim članom. Matematička formulacija grupe krivulja može se napisati kao funkcija vremena i iznosa struje.

$$T = f(TMS, I_p, I_f) \quad (5.1)$$

Gdje je  $T$  vrijeme isklopa,  $TMS$  je postavka multiplikatora vremenske karakteristike,  $I_p$  iznos struje pobude (eng. pickup current), a  $I_f$  je struja kvara koju mjeri relej. Pojednostavljena verzija (5.1) može se aproksimirati kao [56]:

$$T = K_1 \frac{TMS}{\left(\frac{I_f}{I_p}\right)^{K_2} + K_3} \quad (5.2)$$

Gdje su  $K_1, K_2, K_3$  konstante koje ovise o karakteristikama samog releja. Preciznija formula za aproksimiranje karakteristike bi bila:

$$T = P(TMS)P(I_p) \quad (5.3)$$

$$P(TMS) = K_{10} + K_{11}TMS + K_{12}TMS^2 + K_{13}TMS^3 \quad (5.4)$$

$$P(I_p) = A_0 + \frac{A_1}{M-1} + \frac{A_2}{(M-1)^2} + \frac{A_3}{(M-1)^3} + \frac{A_4}{(M-1)^4} \quad (5.5)$$

Gdje je  $M$  omjer struje releja  $I$  i struje pobude  $I_p$ , a  $K_{10}, K_{11}, K_{12}, K_{13}, A_0, A_1, A_2, A_3, A_4$  su skalarne vrijednosti koje karakteriziraju sami relej.

U ovome radu razmatra se relej sa inverznom vremensko karakteristikom u skladu sa IEC-60255 standardom [57]. Određivanjem parametra  $TMS$ , može se postići vremenska koordinacija zaštite. Varijacijama parametara  $K_1, K_2$  mogu se dobiti različiti tipova isklopnih krivulja [58]. Tablica 5.1 prikazuje iznose  $K_1, K_2$  za različite tipove isklopnih krivulja. U ovome radu razmatra se zaštitni relej sa normalno inverznom krivuljom.

**Tablica 5.1:** Konstruktivske konstante zaštitnog releja

Tip karakteristike	K1	K2
Normalno inverzna	0,02	0,14
Vrlo inverzna	1,00	13,50
Ekstremno inverzna	2,00	80,00
Inverzna s dugim vremenom	1,00	120,00

Slijedom navedenoga, u ovome radu razmatra se zaštitni relej sa normalno inverznom krivuljom, koji definira konstante  $K_1 = 0,14, K_2 = 0,02, K_3 = -1$  stoga se izraz (5.2) može napisati kao:

$$T = 0,14 \frac{TMS}{\left(\frac{I}{I_p}\right)^{0,02} - 1} \quad (5.6)$$

### 5.3 Matematička formulacija problema

Općeniti problem koordinacije releja može se iskazati kao optimizacijski problem. Funkcija cilja je minimizirati vrijeme isklopa primarnih releja, a da je pri tome prorada rezervnih releja koordinirana. Funkcija cilja  $J$  može se napisati kao:

$$\min J = \sum_{i=1}^n W_i T_{ii} \quad (5.7)$$

Gdje je  $n$  ukupan broj releja u mreži koje je potrebno koordinirati,  $W_i$  je vjerojatnost događaja kvara na releju  $i$ , gdje je  $W_i = 1$  kod pojave kvara,  $T_{ii}$  je vrijeme isklopa primarnog releja  $R_i$  za kvar blizu releja  $i$ .

Struja pobude  $I_p$  može biti kontinuirana varijabla ili diskretna vrijednost, koja se može iskazati kao umnožak prijenosnog omjera strujnih mjernih transformatora  $CT_{ratio}$  (eng. current transformer ratio) i mjernog člana pobude  $PTS$  (eng. pickup tap setting).

$$I_{pi} = PTS_i \times CT_{ratio}^i \quad (5.8)$$

$$PTS_i^{min} \leq PTS_i \leq PTS_i^{max} \quad (5.9)$$

Stoga, optimizacijski problem se matematički može formulirati kao ograničeni optimizacijski problem (eng. constrained optimization problem).

Kako bi pronašli optimalno rješenje, potrebno je postaviti ograničenja u definiranju problema. Gornja i donja granica bi trebale biti postavljene na način da definiraju ograničenja u kojima se pronalazi optimalni rezultat.

Vrijeme isklopa rezervnih releja mora biti veće od sume vremena isklopa primarnog releja i koordinirane margine. Ovaj izraz može se napisati kao:

$$T_{ji} \geq T_{ii} + CTI \quad (5.10)$$

Gdje je  $T_{ij}$  vrijeme isklopa rezervnog releja  $R_i$  za isti kvar na mjestu  $i$ , a  $CTI$  je koordinacijski vremenski interval. Mnogo je sličnih jednadžbi kao (5.10) za bilo koji par primarna/rezervna zaštita za određeni kvar. Općenito kako je prikazano u jednadžbi (5.1), odnos između vremena isklopa  $T$  nadstrujnog releja, iznos struje pobude  $I_p$  i multiplikatora  $TMS$  je nelinearna funkcija. Ovo je u naravi problem nelinearne optimizacije, ali ako se struja pobude  $I_p$  odredi ranije i uzimajući u obzir da izraz (5.2) predstavlja karakteristiku releja, funkcija cilja može se prikazati kao linearna funkcija varijable  $TMS$  i može se riješiti metodama linearnog programiranja. U ovome radu razmatraju se parametri iznos struje pobude  $I_p$  i vremenski član  $TMS$ , te se u traženju optimalnog rješenja pristupa kao nelinearnom optimizacijskom problemu.

Ostala ograničenja u rješavanju ovoga optimizacijskog problema su ograničenja varijabli:

$$T_{i,min} \leq T_i \leq T_{i,max} \quad (5.11)$$



$$TMS_{i,min} \leq TMS_i \leq TMS_{i,max} \quad (5.12)$$

$$I_{pi,min} \leq I_{pi} \leq I_{pi,max} \quad (5.13)$$

Izraz (5.7) potrebno je optimizirati kako bi se pronašla optimalna udešenja kako bi rad rezervnih releja ostao koordiniran i da sva ograničenja budu zadovoljena. Vrijednosti  $CTI$ , minimalni vremenski koordinacijski interval, u praksi varira između 0,1 i 0,3 za numeričke releje [59].

$TMS_{imin} = 0,05$  i  $TMS_{imax} = 3,2$ , ovisno o tipu zaštićenog releja.  $I_{pi,min}$  se određuje na temelju struje pobude  $I_p$  koja se računa na temelju maksimalne struje tereta koja prolazi kroz zaštitni relej. Treba uzeti u obzir da relej ne smije imati pogrešnu (neselektivnu) proradu kod maksimalne ili minimalne struje tereta da ju prepoznaju kao struju kvara.

Optimizacijski problem definiran u (5.7) je nelinearni problem (eng. non-linear problem - NLP) gdje su varijable ograničene. Kako bi se bolje upravljalo ograničenjima u (5.11) i (5.10) koristi se metoda penalizacije.

Funkcija cilja 5.7, odnosno vrijeme isklopa releja može se napisati kao:

$$\min J = \sum_{i=1}^n K_1 \frac{TMS_i}{\left(\frac{I_f^i}{PTS_i \times CT_{ratio}^i}\right) K_2 + K_3} \quad (5.14)$$

Uz dodatno ograničenje:

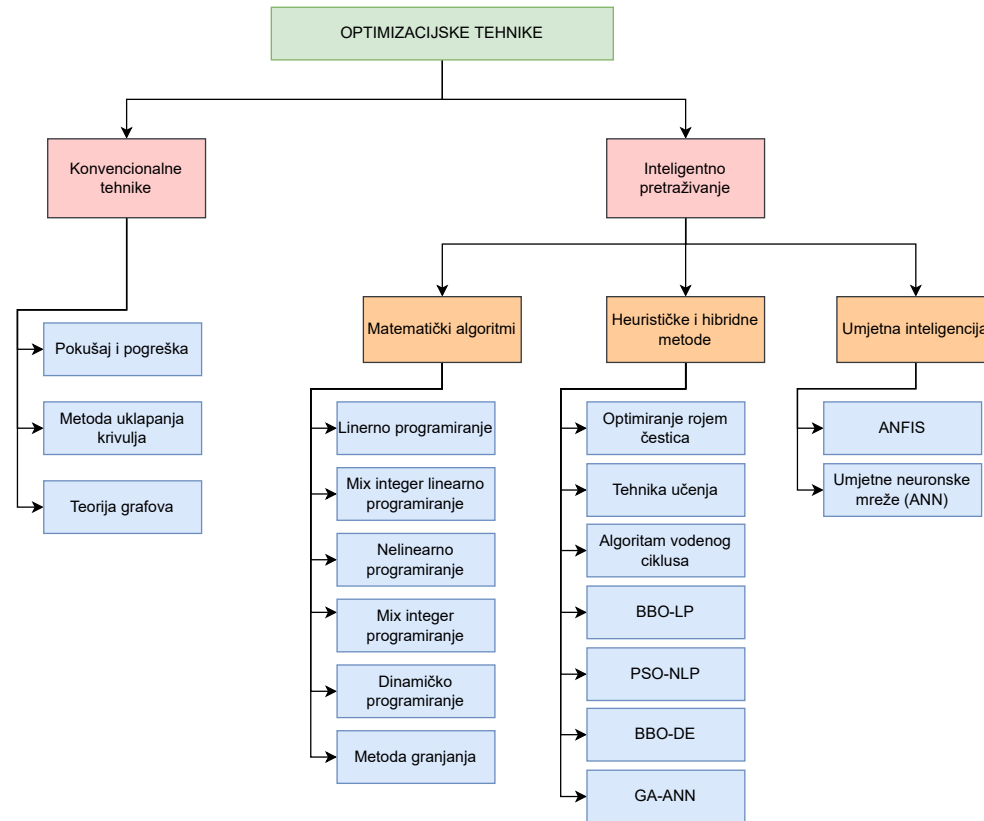
$$PTS_{min}^i \leq PTS^i \leq PTS_{max}^i \quad (5.15)$$

U ovom slučaju, varijable koje opisuju optimizacijski problem su  $TMS$  i  $PTS$  za sve primarne releje.

## 5.4 Metode optimizacije i inteligentnog pretraživanja

U literaturi je obrađeno mnogo metoda inteligentnog pretraživanja kako bi se riješio optimizacijski problem opisan izrazima iz (5.7) (5.10) (5.12) (5.13). U pravilu, sve metode imaju istu funkciju cilja, minimizirati ukupno vrijeme isklopa kako bi se dobile optimalne postavke releja. Metode se mogu podijeliti na dva pristupa. Prvi pristup je korištenje konvencionalnih tehnika,

dok drugi pristup zagovara primjenu umjetne inteligencije koja se sastoji od 4 različite tehnike. Slike (5.1) opisuje moguće metode koordinacije nadstrujnog releja korištenjem različitih metoda optimizacije.



**Slika 5.1:** Različite tehnike i metode optimalne koordinacije nadstrujnih releja [58]

### 5.4.1 Konvencionalne metode

Prije intenzivne upotrebe računala, promjene u postavkama releja su se računale ručno od strane operatora mreže [60]. Većina operatora sustava je radila postavke zaštite da se dozvoli maksimalna struja pri nazivnom teretu izračunata na temelju impedancije mreže i iznosa tereta. Struju kvara se također ručno računala kao i vremensko zatezanje releja za koordinaciju zaštite. Ova metoda je izrazito neefikasna i zahtjeva velike zahvate za najmanje promjene i distribucijskoj mreži [61][62]. Najčešće korištene Konvencionalne metode su metoda pokušaj i pogreška, metoda uklapanja krivulja i metoda teorije grafova. Konvencionalne metode su se pokazale primjenjiva u praksi, ali su nisu dovoljno precizne te ne mogu uzimati u obzir više ograničenja istovremeno [60].

## 5.4.2 Metode inteligentnog pretraživanja

U posljednjih nekoliko godina u literaturi bilježi se veliki porast citata vezanih uz temu optimalne koordinacije relejne zaštite [58]. Sve je veći trend korištenja metode umjetne inteligencija kao i hibridnih tehnika optimizacije. Smatra se da su danas hibridne tehnike superiornije jer su robusnije, brže konvergiraju i brže pronalaze optimalno rješenje [63].

U [58] napravljen je pregled svih metoda optimizacije zaštitnih releja gdje se opisuju prednosti i nedostatci svake od metoda. Metode inteligentnog pretraživanja dijele se na: matematičke algoritme, heurističke i hibridne metode te umjetna inteligencija. Neki od matematičkih algoritama su linearno programiranje (Linear Programming -LP), nelinearno programiranje (Non Linear Programming - NLP), mix integer linearno programiranje (Mixed Integer Linear Programming - MILP), mix integer programiranje (Mixed Integer Linear Programin - MIP). Neke od heurističkih i hibridnih metode su optimzacija rojem čestica (PSO), generički algoritmi (GA), optimizacija kolonijom mrava (Ant Colony Optimization - ACO), algoritam krijesnica (Firefly Algorithm – FA). Neke od metoda umjetne inteligencije su umjetne neuronske mreže (Artificial Neural networks – ANN), adaptivna neuro-fuzzy tehnika (adaptive neuro-fuzzy technique - ANFIS). Na slici (5.1 prikazan je popis Metoda inteligentnog pretraživanja.

Jedna od predloženih i opisanih metoda inteligentnog pretraživanja je optimizacija rojem čestica, koja koristi tehnike nasumičnog pretraživanja kako bi proizvela optimalno rješenje problema. U ovome radu, za rješavanje problema optimizacije opisan u (5.7) (5.10) (5.12) (5.13) koristiti će se hibridna metoda optimizacije rojem čestica.

## 5.5 Optimizacijska metoda rojem čestica

Optimizacija rojem čestica (eng. PSO - Particle Swarm Optimization) je stohastička metoda bazirana na populaciji rješenja nadahnutu inteligencijom roja. Ova metoda razvijena je od strane Jamesa Kennedyja i Russell Eberharta 1995. godine [64]. Metoda oponaša društveno ponašanje prirodnih organizama, kao što su ribe i ptice u potrazi za hranom.

PSO metoda se već duže koristi u energetici za rješavanje raznih optimizacijskih problema. U [65] PSO se koristi kako bi se maksimizirala integracija obnovljivih izvora u mreži, uzevši u obzir ograničenja mreže kao napon sabirnica, tokovi snaga, radna i jalova energija u mreži. Rad u [66] koristi PSO za minimizaciju operativnih troškova i optimalni upravljanje u mikro-mrežama.

Problematika optimalne koordinaciju relejane zaštite primjenom PSO obrađena je u [67][68][69]. U [70] je dan pregled ostalih optimizacijskih metoda za koordinaciju relejne zaštite. Nijedna od spomenutih optimizacijskih metoda ne koristi dodatnu zaštitnu funkciju koja još smanjuje ukupno vrijeme isklopa, što se koristi u ovome radu.

PSO metoda dijeli mnoge sličnosti s evolucijskim tehnikama, kao što su genetski algoritmi (GA). Sustav rješenja je kreiran populacijom od slučajnih rješenja i zatim se potraga za optimumom vrši ažuriranjem rješenja. Međutim, za razliku od GA, PSO nema evolucijske operatore kao što su križanje i mutacija. U PSO optimizaciji, potencijalna rješenja, koja se nazivaju čestice, lete kroz prostor problema prateći pritom trenutne najbolje čestice. Svaka čestica vodi evidenciju svojih koordinata u prostoru problema. Te koordinate su povezane s najboljim rješenjem što je do sada postignuto od strane te čestice. Također, vrijednost tog najboljeg rješenja je pohranjena, koja se naziva *pbest*. Još jednu dobru vrijednost, koju prati roj čestica, je najbolja vrijednost koja je postignuta od strane cijelog roja čestica. Ta se lokacija označava *lbest*. Kada čestica zauzme cijelu populaciju, najbolja vrijednost je globalno najbolja i ta vrijednost se označuje kao *gbest*. Koncept PSO sastoji se od mijenjanja brzine svake čestice prema njenoj *pbest* i *lbest* lokaciji u svakom koraku vremena, odnosno u svakoj iteraciji [64].

U osnovnom modelu, roj se sastoji od  $N$  čestica koje lete u  $D$ -dimenzionalnom prostoru odlučivanja. Svaka čestica  $i$  je mogući kandidat rješenja problema, a predstavljena je vektorom  $x_i$  u prostoru rješenja. Svaka čestica ima svoj položaj i brzinu preko kojih se određuje smjer i korak čestice. Prilikom optimizacije optimizacija iskorištava suradnju između čestica. Uspjeh pojedinih čestica utjecat će na ponašanje drugih čestica. Svaka čestica uspješno prilagođava svoj položaj  $x_i$  prema globalnom optimumu, imajući u vidu sljedeća dva faktora: najbolji ostvaren položaj koju je ostvarila promatrana čestica *pbest* označen s  $p_i = p_{i1}, p_{i2}, \dots, p_{iD}$  najboljeg položaja ostvarenog od strane cijelog roja *gbest* označen s  $p_g = p_{g1}, p_{g2}, \dots, p_{gD}$ . Vektor  $p_g - x_i$  predstavlja razliku između trenutnog položaja čestice  $i$  i najboljeg položaja njenog susjedstva.

Za svaku česticu mora biti definirano susjedstvo. To susjedstvo prikazuje društveni utjecaj među česticama. Postoje razne mogućnosti za definiranje takvog susjedstva. Tradicionalno, koriste se dvije metode:

- Metoda globalnog optimuma: U metodi globalnog optimuma, susjedstvo se definira kao cjelokupna populacija rješenja.
- Metoda lokalnog optimuma: U metodi lokalnog optimuma, susjedstvo čestica čine skup direktno povezanih čestica. Roj čestica se može promatrati kao stanični automat gdje se ažuriraju stanice (čestice kod PSO). Svaka nova vrijednost stanice ovisi samo o staroj vrijednosti stanice i njenom okruženju, a sve stanice se ažuriraju pomoću istih pravila. Pri svakoj iteraciji, na česticu se primjenjuju sljedeće operacije: ažuriranje brzine, ažuriranje

položaja i ažuriranje rješenja.

Za cilj minimiziranja, pozicija s manje vrijednosti smatra se višom tj boljom vrijednosti [53]. Najbolji vrijednost među svima  $pbest$  pozicijama označene su kao "globalno najbolje"  $gbest$ . Pomoću vrijednosti  $pbest$  i  $gbest$ , prikazana je brzina čestice pomoću izraza (5.16):

$$v_i^{k+1} = \omega v_i^k + c_1 rand \times (pbest_i - x_i^k) + c_2 rand \times (gbest_i - x_i^k) \quad (5.16)$$

Gdje je  $v_i^{k+1}$  prethodna brzina čestice  $i$ ,  $rand$  je slučajni brojevi u rasponu od 0 i 1,  $c_1$  i  $c_2$  su pozitivne konstante,  $\omega$  je inercijska varijabla.

Normalno, vrijednost brzine čestice je se nalazi u rasponu  $[-v_{max}, v_{min}]$  kako bi se smanjila mogućnost da čestica može letjeti izvan prostora koji se pretražuje [53]. Konstante  $c_1, c_2$  predstavljaju faktor učenja. Oni predstavljaju privlačenje koje čestica ima prema vlastitom uspjehu ili prema uspjehu svojih susjeda. Parametar  $c_1$  je kognitivni faktor učenja koji predstavlja privlačenje koje čestica ima prema vlastitom uspjehu, dok je parametar  $c_2$  faktor socijalnog učenja koji predstavlja privlačenje koje čestica ima prema uspjehu svojih susjeda. Uglavnom se uzima  $1,8 < c_1 = c_2 < 2,2$  te se smatra da postavljanje  $c_1=c_2$  daje nabolje rezultate pretraživanja[71]. Prema [71] preporučena vrijednost je 2,0.

Posljednji član  $\omega$  je inercijska varijabla koja je iskorištena za kontroliranje istraživačkih sposobnosti roja tako da skalira vrijednost trenutne brzine te na taj način utječe na iznos ažuriranog vektora brzine. Većim vrijednostima inercijske varijable vršimo globalno pretraživanje zbog toga što se ažurirani vektor brzine brže povećava dok zadavanjem manje vrijednosti inercijske varijable vrijednost ažuriranog vektora brzine postaje manja pa se tako novi položaj čestice ograničava na manje područje prostora istraživanja tj. omogućujemo lokalno pretraživanje.

Ako je prostor definiran ograničenjem  $[-x_{max}, x_{min}]$ , tada je vrijednost  $v_{max}$  tipično postavljena tako da [14]  $v_{max} = kx_{max}$ , gdje je  $0, 1 \leq k \leq 1$ .

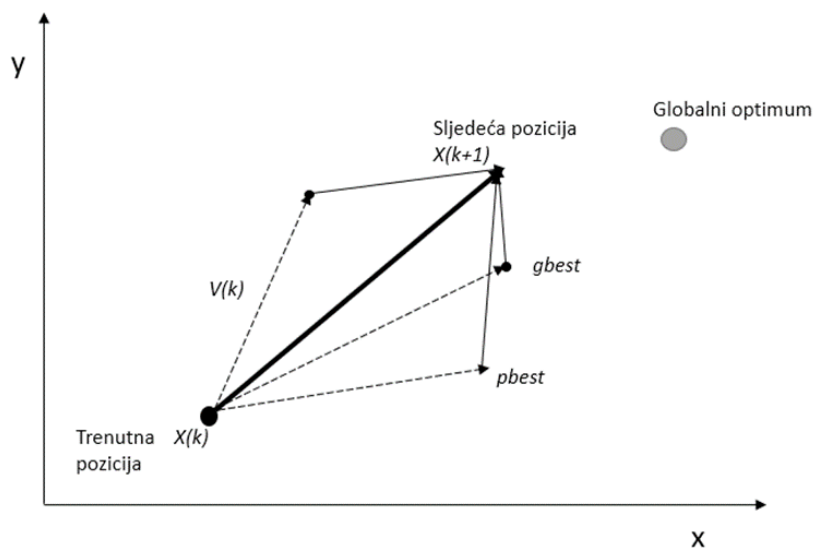
Novu poziciju čestice možemo izračunati prema izrazu (5.16) koristeći izraz:

$$x_i^{k+1} = v_i^k + c_i^{k+1} \quad (5.17)$$

Gdje je  $x_i^k$  prijašnja pozicija čestice  $i$ ,  $v_i^{k+1}$  je nova ažurirana brzina čestice  $i$ .

Promjena brzine i položaja čestice tijekom iteracije  $k$  ilustrirana je na slici 5.2 Brzinom se prikazuje smjer i udaljenost koju čestica treba proći. Ova formula je odraz temeljnog aspekta

ljudske društvenosti u kojoj društveno-psihološka sklonost pojedinaca utječe na uspjeh drugih pojedinaca. Čestica, u početnoj iteraciji  $k$ , ima trenutni položaj  $x(k)$  i trenutnu brzinu  $v(k)$ . Prema vrijednostima  $pbest$  i  $gbest$ , određuje se sljedeća brzina čestice  $v(k+1)$  pri iteraciji  $k+1$ . Sljedeći položaj čestice tada se ažurira prema njegov trenutni položaj  $x(k)$  i sljedeća brzina  $v(k+1)$ . Kao rezultat podešavanja brzine, sljedeći položaj čestice je bliže globalnom optimumu. Postupak ažuriranja položaja i brzine čestice se ponavlja za sljedeću iteraciju sve dok čestica ne pogodi cilj, što je globalni optimum.



**Slika 5.2:** koncept promjene brzine i položaja čestice u PSO [72]

U prvom dijelu u izrazu 5.16 dodan je inercijska varijabla  $\omega$  kako bi roj čestica imao velike šanse za postizanje globalnog optimuma [73]. Inercijska varijabla određuje vjerojatnost da čestice pronađe globalni optimumu u zadanom prostoru pretraživanja. Stoga, potrebno je oprezno odabrati vrijednosti  $\omega$ , svaka pogrešno definirana vrijednost smanjit će učinkovitost algoritma. Inercijska varijabla se može prikazati kao [74]:

$$\omega_i = \omega_{max} - \frac{\omega_{max} - \omega_{min}}{k_{max}} \times k \quad (5.18)$$

Gdje su  $\omega_{max}$  i  $\omega_{min}$  maksimalni i minimalni iznosi inercijske varijable, dok su  $k$  i  $k_{max}$  trenutna i maksimalna iteracija. Autori u [74] predstavljaju inercijsku varijablu počevši od vrijednost 0.9 pa do 0.4.

Nedostatci klasične PSO algoritma je da može vrlo lagano upasti u lokalni optimum u visoko-dimenzijским prostorima i imaju nisku stopu konvergencije i iterativnim procesima. Zbog toga se u literaturu jako često koriste neke vrste modificiranih PSO algoritama kojima se nastoji umanjiti ili ukloniti nedostatci [75].

U ovome radu koristi se modificirani PSO algoritam naziva *Generalized PSO (GEP SO)* [76] kako bi se povećala efikasnost osnovnog PSO algoritma na način da se modificira formula za korištenje dinamičke inercijske varijable.

Izraz (5.16) za izračun brzine čestice je modificirana u [76]:

$$v_i^k = \psi[\omega_1 k v_i^{k-1} + \omega_2 c_1 r_1^k \times (pbest_i^{k-1} - x_i^{k-1}) + \omega_3 \alpha_1 c_2 r_2^k \times (gbest_{i-1} - x_i^{k-1}) + \omega_4 \alpha_2 c_3 r_3^k \times (pbest_{rand} - x_i^{k-1}) + \omega_5 \alpha_3 c_4 r_4^k v_{rand}] \quad (5.19)$$

Prvi izraz u 5.19 označava prošlu brzinu čestice, koja daje moment potreban da leti kroz prostor. Drugi izraz, poznat kao „kognitivna komponenta“, simulira „osobno“ iskustvo čestice i potiče ju da leti prema najboljoj poziciji (*pbest*) koju je pronašla do tog trenutka. Treći izraz, zvan „kolektivna komponenta“, simulira efekt suradnje između čestica u pronalasku globalnom optimuma i usmjerava čestice prema najboljoj poziciji koji su našli svi članovi roja (*gbest*). Četvrti izraz, koji je dodan kao novi, poznat kao „random self-cognition“, usmjerava čestice prema nasumično izabranoj najboljoj poziciji koju su našle ostale čestice  $pbest_{rand}^{k-1}$ , koja u biti daje priliku ostalim česticama da nasumično dijele svoje znanje tijekom nadogradnje brzine. Peti izraz, također novi, predstavlja efekt nasumičnog parametra brzine  $v_{rand}$ , što dovodi do povećane različitosti u roju i do veće učinkovitosti kretanja roja u uskom i kompleksnom prostoru pretrage.

$$\omega_1^i = \min\{\omega_{min}, \omega_1^{i-1} - [\frac{\omega_{max} - \omega_{min}}{iter_{max}} i (f(gbest^{i-1}) - f(gbest^{i-2}))]\} \quad \forall i \in N_{iter} \quad (5.20)$$

U predloženom algoritmu, inercijska varijabla  $\omega$  se koristi u svim izrazima u 5.19 u formi  $\omega_1$  do  $\omega_5$ . Također, u svim izrazima, osim u prvom izrazu, pozitivne konstante  $c_1$  do  $c_4$  su iskorištene. Izraz u 5.20 opisuje na koji način se dinamički ažurira inercijski faktor  $\omega_1$ .

Izraz u 5.20 predložen je tako da se za probleme minimizacije koristi prvi znak „minus“ u izrazu, a kod problema maksimizacije se mora promijeniti u „plus“ znak. Izraz 5.20 garantira da će tijekom procesa pretrage,  $\omega_1^i$  će uvijek biti veći ili jednak minimalnoj inercijskoj varijabli  $\omega_{min}$ . Nadalje, modificirani izraz za parametar stezanja  $\psi$  u 5.19 i pozicija čestice i brzina su inicirane kao u 5.22 i 5.23, gdje su  $\lambda_{k,min}$  i  $\lambda_{k,max}$  minimalne i maksimalne vrijednost  $k$ -te koordinacije čestica [77].

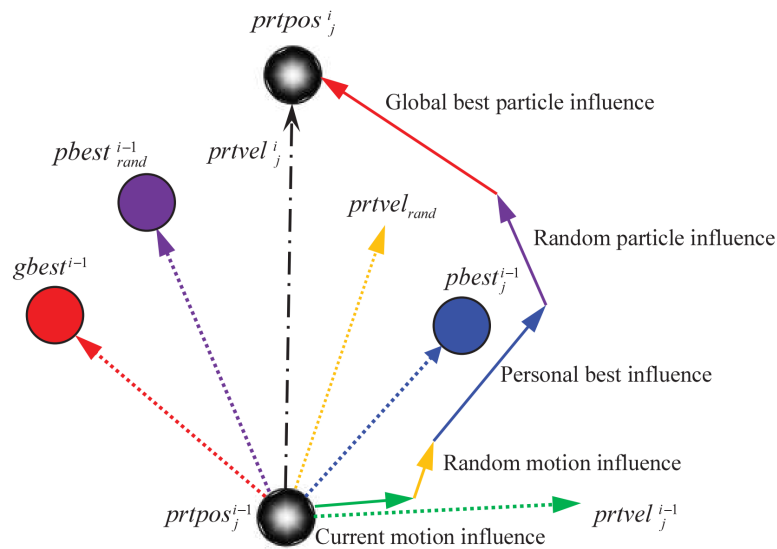
$$\psi = \frac{2}{|2 - (c_2 + c_3)^2 - 5(c_2 + c_3)|} \quad (5.21)$$

$$x_i^0(\lambda_k) = \lambda_{k,min} + rand\lambda_{k,max} \quad \forall j \in N_p, k \in N_k \quad (5.22)$$

$$v_i^0(\lambda_k) = x_i^0(\lambda_k) + \gamma_k \quad \forall j \in N_p, k \in N_k \quad (5.23)$$

Na slici 5.3 prikazan je shematski prikaz promjene pozicije i brzine čestica u dvije iteracije GEPSO algoritma.

Na temelju osnovnog PSO algoritma razvijen je GEPSO algoritam, koji nastoji unaprijediti učinkovitost i efikasnost traženja čestica na način da predstavlja novitet u izrazu za promjenom brzine i u adaptivnoj inercijskoj varijabli koja ima sposobnost regulirati diverzifikaciju i pojačava potrage u svakom trenutku u skladu sa vrijednosti dobrote (eng. Fitness value) u prethodne dvije iteracije. Novi četvrti i peti član izraza 5.19 povećavaju različitost roja, pojačavaju odnose među česticama, te imaju sposobnost napraviti efikasniju pretragu u kompleksnim prostorima pretrage [76].



Slika 5.3: Promjena brzine čestice u GEPSO modelu



## 5.6 Algoritam optimalne koordinacije zaštite

Optimizacijski problem koordinacije relejne zaštite opisan izrazima (5.7) (5.10) (5.12) (5.13) moguće je riješiti, tj. pronaći optimalno rješenje primjenom modificirane optimizacijske metode rojem čestica GEPSO opisane u prijašnjem poglavlju. U nastavku je opis funkcioniranja predloženog algoritma koji se provodi u koracima unutar GEPSO metode. Dobiveni rezultati dati će postavke za optimalno udešenje zaštite s obzirom na zadana ograničenja.

Algoritam i pseudokod predloženog algoritma opisan je sljedećim koracima

---

### Algorithm 1 GEPSO

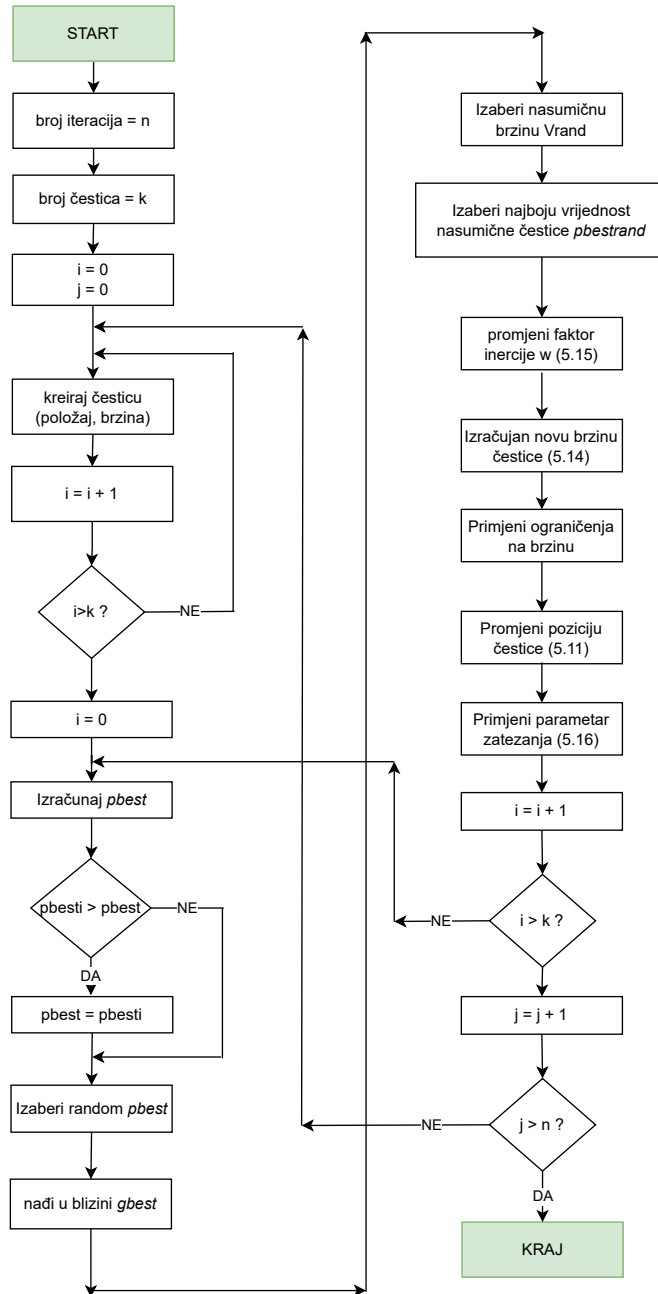
---

```

while dosegnut maksimalni broj iteracija ili minimalna greška do
  for svaka čestica do
    | Kreiraj česticu prema (5.17) i (5.18)
  end
  for svaka čestica do
    | Izračunati vrijednost dobrote (pbest)
    | if vrijednost dobrote je bolja od najbolje vrijednosti (pbest) u povijesti then
    | | Postavi trenutno vrijednost kao novi pbest
    | end
    | Izaberi nasumičan pbest
    | Pronađi u blizini česticu sa najboljom vrijednosti dobrote (gbest)
    | Izaberi nasumičnu brzinu za česticu vrand
    | Izaberi najbolju vrijednost nasumične čestice pbestrand
    | Promjeni faktor inercije prema (5.15)
    | Izračunati novu brzinu čestice prema (5.14)
    | Primjeni ograničenja na brzinu
    | Primjeni poziciju čestice prema (5.11)
    | Primjeni parametar stezanje
  end
end

```

---



Slika 5.4: Dijagram toka GEPSO metode

## 5.7 Simulacija AOKZ algoritma

Primjena i testiranje AOKZ algoritma napraviti će se na dva testna modela korištenjem MATLAB Simulink, prvi u standardnom IEEE modelu mreže sa 3 sabirnice, a drugi sa 8 sabirnica. Traži se optimalno rješenje minimalnog ukupnog isklonog vremena releja. Potrebno je za svaki relej u mreži odrediti optimalne postavke TMS i PS.

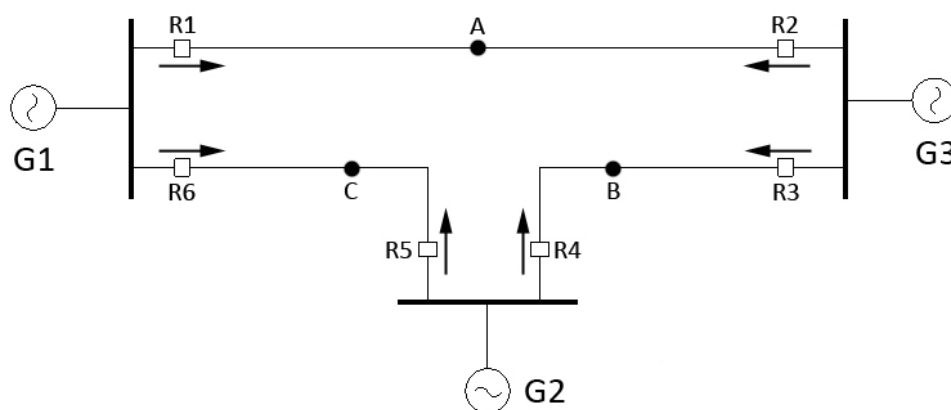
Modeliranjem mreže, analizom tokova snaga te roračunom iznosa struja kratkog spoja određuju se iznosi struje pobude  $I_p$  i struje kratkog spoja  $I_f$ .

Rezultati će se usporediti sa drugim optimizacijskim metodama iz literature koji su primijenjeni na isti model mreže. U [78] je opisana optimizacijska metoda kitova (eng. whale optimization algorithm - WOA) za optimalnu koordinaciju relejne zaštite. WOA je bazirana je na heurističnim tehnikama, inspirirana lovačkom strategijom „bubble-net hunting strategy of humpback whales“ kod koje kitove love sitne ribe u kružnim kretanjima. Isti autori su u [79] napravili hibridnu WOA metodu baziranu na tehnici simuliranog kaljenja (eng. simulated annealing - SA) unutar WOA metode. U [80] koristi se evolucijski algoritam optimizacije bazirane na biogeografiji (eng. biogeography-based optimization - BBO). U istom radu prezentirana je i hibridna BBO-LP metoda korištenjem linearnog programiranja. U [59] koristi se optimizacijska metoda tragača (eng. seeker optimization algorithm - SA) koji oponaša način na koji ljudi tragaju za nečim, uzimajući u obzir memoriju, iskustvo, nesigurnost u razmišljanju i socijalne vještine.

U literaturi postoji mnogo radova koji se se bavili istim optimizacijskim problemom na IEEE mrežama sa 3 sabirnice [81] [82] i 8 sabirnica [83] [84]. Ovi radovi ili su već zastarjeli ili imaju znatno lošije rezultate od prezentiranih.

### 5.7.1 IEEE model sa 3 sabirnica

Prvi testni model je IEEE mreža sa 3 sabirnice, prikazan na slici 5.5. Mreža se sastoji od 3 sabirnice, 3 generatora, 3 voda, 6 releja. Struja kratkog spoja koju vide primarni i rezervni releji prikazana je u tablici 5.2. Podaci za modeliranje mreže se preuzeti iz [59]. Prijenosni omjer strujnih mjernih transformatora (SMT) prikazana je u tablici 5.3. Kako bi bila moguća usporedba rezultata drugim metodama iz literature korišteni su standardni parametri za ovaj model mreže. Donja i gornja granica TMS su postavljene na 0,1 i 1,1, dok je granica Ps postavljena na 1,0 i 5,0 u koracima od 0,5 A. Vrijednost CTI postavljena je na 0,2s.



Slika 5.5: IEEE mreža sa 3 sabirnice

Tablica 5.2: Struje kratkog spoja za primarni i rezervni relej - mreža 3 sabirnica

Primarni relej	$I_{f,prim}$	Rezervni relej	$I_{f,rez}$
1	1978.90	5	175.00
2	1525.70	4	545.00
3	1683.90	1	617.22
4	1815.40	6	466.17
5	1499.66	3	384.00
6	1766.30	2	145.34

Izračunate vrijednosti TMS i PS dobivene predloženim algoritmom prikazani su u tablici 5.4. Također, prikazan je rezultat funkcije cilja (OF), odnosno minimalno ukupno vrijeme isklopa. U istoj tablici 5.4 prikazana je usporedba rezultata sa drugim metodama dostupnim u literaturi. Tehnike iz [78] i [79] nisu poštivali zadane granične vrijednosti za TMS, PS, CTI, te je to razlog odstupanja od rezultata ostalih metoda.

Za zadanu konfiguraciju mreže IEEE sa 3 sabirnice, AOKZ ima optimalno ukupno isklopno vrijeme  $\min J = \sum_{i=1}^n W_i T_{ii} = 1,6021s$ . U usporedbi sa drugim metodama vidi se da je optimalno rješenje problema praktički isto. Također vidi se kako je modificirana metoda optimizacije GEPSO superiornija od standardne PSO metode, gdje je ostvarila rezultat bolji za skoro 20%. Iz rezultata se može zaključiti da AOKZ algoritam postiže zadovoljavajuće rezultate usporedbi sa drugim metodama.

Tablica 5.3: Prijenosni omjeri SMT - mreža 3 sabirnica

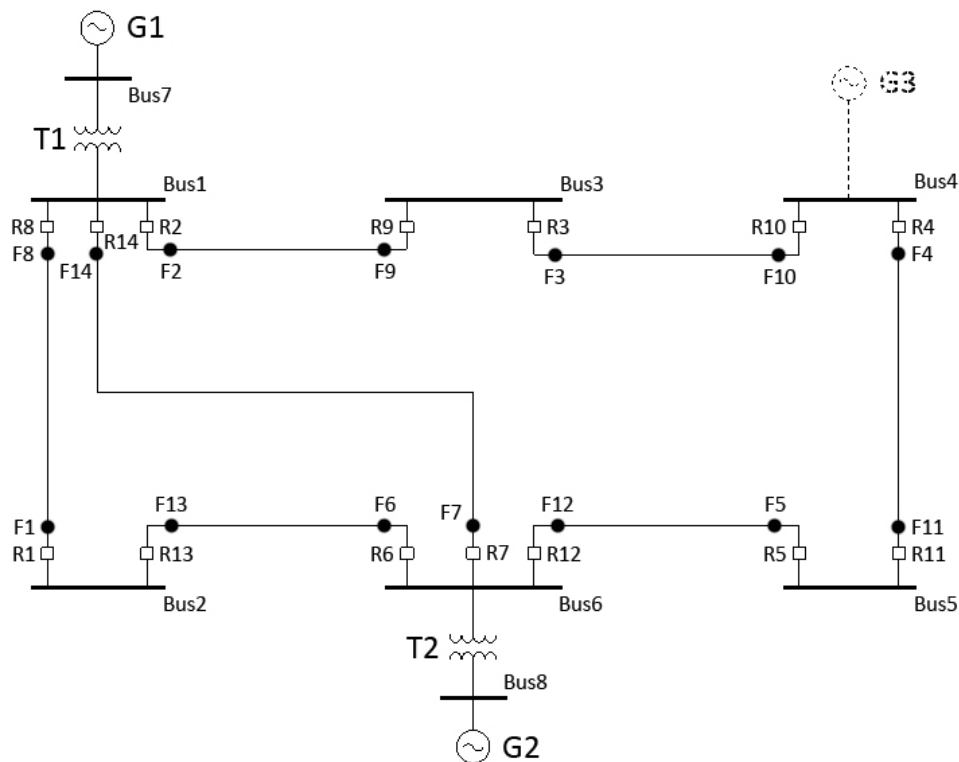
Relej	$R_1$	$R_2$	$R_3$	$R_4$	$R_5$	$R_6$
CTR	300/5	200/5	200/5	300/5	200/5	400/5

**Tablica 5.4:** Rezultati optimizacije TMS i PS - mreža 3 sabirnice

Releji	WOA [78]		HWOA [79]		BBO-LP [80]		PSO [53]		SA [59]		AOKZ	
	TDS	PS	TDS	PS	TMS	PS	TMS	PS	TMS	PS	TMS	PS
1	0,0500	1,2500	0,0500	1,2500	0,1067	2,500	0,1000	5,000	0,1070	2,5000	0,1052	2,5000
2	0,0500	1,2500	0,0500	1,2500	0,1083	2,000	0,1364	1,500	0,1080	2,0000	0,1082	1,5000
3	0,0553	1,3837	0,0500	1,2500	0,1000	3,000	0,1000	5,000	0,1000	3,0000	0,1000	2,5000
4	0,0500	1,2500	0,0500	1,2500	0,1000	2,500	0,1000	4,000	0,1000	2,5000	0,1000	2,0000
5	0,7100	2,4746	0,6120	1,7557	0,1000	2,500	0,1298	2,000	0,1000	2,5000	0,1000	2,5000
6	0,1587	2,2163	0,8065	1,2500	0,1119	1,500	0,1000	2,500	0,1120	1,5000	0,1150	1,5000
OF	1,5262		1,5029		1,59871		1,9258		1,5991		1,6021	

### 5.7.2 IEEE model sa 8 sabirnicama

Drugi testni model je IEEE mreža sa 8 sabirnicama, prikazana na slici 5.6. Mreža se sastoji od 8 sabirnicama, 2 generatora, 2 transformatora, 7 vodova i 14 releja. Struja kratkog spoja koju vide primarni i rezervni releji prikazana je u tablici 5.5. Podaci za modeliranje mreže se preuzeti iz [59]. Prijenosni omjer strujnih mjernih transformatora prikazana je u tablici 5.6. Kako bi bila moguća usporedba rezultata drugim metodama iz literature korišteni su standardni parametri za ovaj model mreže. Donja i gornja granica TMS su postavljene na 0,1 i 1,1, dok je granica Ps postavljena na 1,0 i 5,0 u koracima od 0,5 A.



**Slika 5.6:** IEEE mreža sa 8 sabirnicama

Izračunate vrijednosti TMS i PS dobivene predloženim algoritmom prikazani su u tablici 5.7. Također, u istoj tablici prikazana je usporedba rezultata sa drugim metodama dostupnim u literaturi. Tehnike iz [79] nisu poštivala zadana granične vrijednosti za TMS, PS, CTI, te je to razlog odstupanja od rezultata ostalih metoda. Iz rezultata se može zaključiti da AOKZ algoritam postiže zadovoljavajuće rezultate usporedbi sa drugim metodama.

**Tablica 5.5:** Struje kratkog spoja za primarni i rezervni relej - mreža 8 sabirnica

<b>Primarni relej</b>	$I_{f,prim}$	<b>Rezervni relej</b>	$I_{f,rez}$
1	3232	6	3232
2	5924	1	996
2	5924	7	1890
3	3556	2	3556
4	3783	3	2244
5	2401	4	2401
6	6109	5	1197
6	6109	14	1874
7	5223	5	1197
7	5223	13	987
8	6093	7	1890
8	6093	9	1165
9	2484	10	2484
10	3883	11	2344
11	3707	12	3707
12	5899	13	987
12	5899	14	1874
13	2991	8	2991
14	5199	1	996
14	5199	9	1165

Izračunate vrijednosti TMS i PS dobivene predloženim algoritmom prikazani su u tablici 5.7. Također, prikazan je rezultat funkcije cilja (OF), odnosno minimalno ukupno vrijeme isklopa. U istoj tablici 5.7 prikazana je usporedba rezultata sa drugim metodama dostupnim u literaturi. Tehnike iz [79] i [80] nisu poštivala zadana granične vrijednosti za TMS, PS, CTI, te je to razlog odstupanja od rezultata ostalih metoda.

**Tablica 5.6:** Prijenosni omjeri SMT - mreža 8 sabirnica

Relej	Prijenosni omjer	Relej	Prijenosni omjer
1	1200/5	8	1200/5
2	1200/5	8	1200/5
2	1200/5	9	800/5
3	800/5	10	1200/5
4	1200/5	11	1200/5
5	1200/5	12	1200/5
6	1200/5	12	1200/5
6	1200/5	13	1200/5
7	800/5	14	800/5
7	800/5	14	800/5

**Tablica 5.7:** Rezultati optimizacije TMS i PS - mreža 8 sabirnica

Relej	HWOA [79]		BBO-LP [80]		PSO [53]		SA [59]		GA [59]		AOKZ	
	TDS	PS	TDS	PS	TMS	PS	TMS	PS	TMS	PS	TMS	PS
1	0,1000	1,2500	0,1000	2,5000	0,1270	2,0000	0,1130	2,0000	0,2900	1,0000	0,1000	1,5000
2	0,5381	1,2500	0,3033	2,0000	0,2550	0,5000	0,2600	2,5000	0,3100	2,5000	0,4339	2,5000
3	0,1000	1,2500	0,2357	2,5000	0,1220	0,5000	0,2250	2,5000	0,2600	2,5000	0,2073	2,5000
4	0,2164	1,2500	0,2204	1,5000	0,0200	1,0000	0,1600	2,5000	0,1900	2,5000	0,1657	2,0000
5	0,1000	1,2500	0,1000	2,5000	0,0760	1,2500	0,1000	2,5000	0,1800	1,5000	0,1000	2,5000
6	0,2689	1,2500	0,1734	2,5000	0,8170	0,5000	0,1370	2,5000	0,2600	2,5000	0,1467	2,5000
7	0,1000	1,2500	0,2532	2,5000	0,0500	2,0000	0,2430	2,5000	0,5400	0,5000	0,2356	2,0000
8	1,1000	1,2500	0,3481	0,5000	0,0500	2,0000	0,1700	2,5000	0,2400	2,5000	0,4008	2,0000
9	0,1000	1,2500	0,1487	2,5000	0,0500	2,0000	0,1470	2,5000	0,1700	2,0000	0,1453	2,5000
10	0,1000	1,2500	0,2052	2,0000	0,0500	1,7500	0,1760	2,5000	0,1900	2,5000	0,1865	2,0000
11	0,1000	1,2500	0,1920	2,5000	0,4490	0,5000	0,1870	2,5000	0,2100	2,5000	0,2049	2,5000
12	0,1000	1,2500	0,2715	2,5000	0,5980	0,5000	0,2660	2,5000	0,3000	2,5000	0,2599	2,5000
13	0,1000	1,2500	0,1154	2,0000	0,3770	0,5000	0,1140	2,0000	0,2300	1,5000	0,1122	2,0000
14	0,1000	1,2500	0,2493	2,5000	0,4500	1,7500	0,2460	2,5000	0,5100	0,5000	0,2537	2,0000
OF	5,8568		8,7555		9,978		8,427		11,0010		8,2325	

Za zadanu konfiguraciju mreže IEEE sa 8 sabirnica, AOKZ ima optimalno ukupno isklopno vrijeme  $\min J = \sum_{i=1}^n W_i T_{ii} = 8,2327s$ . U usporedbi sa drugim metodama vidi se da je optimalno rješenje problema približno isto kao novije metode. Iz rezultata se može zaključiti da AOKZ algoritam postiže zadovoljavajuće rezultate usporedbi sa drugim metodama.

## 5.8 Zaključak poglavlja

U ovom poglavlju opisan je algoritam optimalne koordinacije relejne zaštite (AOKZ) primjenom metoda inteligentnog pretraživanja. Za pronalazak optimalnog rješenja korištena je modificirana optimizacijska metoda rojem čestica GEPSO. Postavljen je matematički model koji je potrebno optimirati, definirana je funkcija cilja kao i sva ograničenja. Funkcija cilja je minimizirati vrijeme isklopa primarnih releja, a da se pri tome zadrži selektivnost prorade zaštite i koordinira rad rezervnih releja. Primjenom AOKZ dobivene su optimalne vrijednosti za koordinaciju releje za zadanu konfiguraciju mreže. Model je testiran na dva standardna sustava IEEE, na mreži sa 3 sabirnice i na mreži sa 8 sabirnica. Usporedbom rezultat za oba slučaja razvidno je da algoritam AOKZ daje zadovoljavajuće rezultate i predstavlja učinkovit način koordinacije relejne zaštite. Znanstveni doprinos u AOKZ algoritmu je u tome da je za koordinaciju rada nadstrujnih releja prvi puta korištena metoda inteligentnog pretraživanja za određivanje optimalne koordinacije između releja bazirana na modificiranom PSO algoritmom GEPSO. Algoritam AOKZ je adaptivan i može se primijeniti za bilo koju konfiguraciju mreže. U sljedećim poglavljima algoritam AOKZ primijeniti će se zajedno sa naprednim upravljačkim algoritmom i testirati u okruženju naprednih mreža kod promjena u topologiji mreže.



# Poglavlje 6

## Algoritam optimalne rekonfiguracije mreže

### 6.1 Uvod

Današnji EES su dizajnirani s ograničenim mogućnostima promjene topologije. Dugi niz godina operativne mogućnosti topoloških promjena distribucijske mreže bile su moguće u ograničenom opsegu zbog niskog stupnja automatizacije mreže te ograničenih mogućnosti daljinskog upravljanja. Operatori distribucijskih sustava zahvaljujući novim tehnologijama, uspjeli su modernizirati distribucijske mreže u jednom dijelu te stvoriti preduvjete za implementaciju naprednijih metoda rekonfiguracije distribucijske mreže. Ova poboljšanja su uključivala daljinsko upravljanje sklopkama, automatsko podešavanje sustava zaštite i unapređivanje komunikacijskih sustava [85].

Distribucijske mreže su uglavnom građene kao upetljane mreže, međutim zbog velike kompleksnosti i lakšeg upravljanja se održavaju u radijalnom pogonu što ustvari znači da su distribucijske mreže podijeljene u podsustave radijalnih mreža, koje sadrže otvorene i zatvorene sklopke u normalnom režimu rada [2].

Rekonfiguracija mreže se definira kao promjena topološke strukture pojedinih distributivnih vodova promjenom uklopnog stanja rastavnih naprava (otvoren / zatvoren) [86]. Upravljanje opremom može se vršiti daljinski ili lokalno. Pod normalnim uvjetima, rekonfiguracija distribucijske mreže se koristi za poboljšanje pogonskih uvjeta u mreži, dok se s druge strane rekonfiguracija distribucijske mreže može koristiti za otklanjanje kvarova i ponovnu uspostavu napajanja u najkraćem mogućem vremenskom periodu [55].

Cilj procesa optimizacije rekonfiguracije mreže je određivanje optimalne konfiguracije distributivne mreže uz poštivanje tehničkih i optimizacijskih ograničenja. Funkcije cilja mogu biti minimiziranje gubitaka u mreži [izvor], minimiziranje broj uklopa prekidača [87], poboljšanje pokazatelja pouzdanosti napajanja [88], balansiranje potrošnje [89].

Postoje razni načini kako se mogu smanjit gubici u distribucijskoj mreži. Rekonfiguracija distribucijske mreže se primarno koristi za smanjenje gubitaka i balansiranje tereta duž vodova. Također, rekonfiguracija se koristi kod restauracije kompletne ili dijela distribucijske mreže [90], kod minimiziranja povratne struje uzrokovane distribuiranim izvorima [91], kod poboljšanje pokazatelja pouzdanosti napajanja [92]. U literaturi se spominju i ostale tehnike za smanjenje gubitaka kao integracija DI [93][94] i regulacija jalove energije [95].

Mnogo je radova u literaturi koji obrađuj temu optimizacije mreže i smanjenja gubitaka u distribucijskoj mreži. U [96] se koristi tabu metoda optimizacije, u [97] se koriste algoritam krijesnica (engl. firefly algorithm), u [98] se koriste genetski algoritmi, u [99] optimizacija rojem čestica, u [100] evolucijsko programiranje, umjetna kolonija pčela u [96] i algoritam traženja ptica kukavica (engl. Cuckoo search algorithm) u [101].

U ovome radu predlaže se optimalna rekonfiguracija distribucijske mreže s ciljem minimiziranja gubitaka u mreži korištenjem tehnike umjetnih neuronskih mreža (ANN). primjenom ANN može se značajno smanjiti vrijeme proračuna. Neki od nedostataka ANN u primjeni kod rekonfiguracije distribucijske mreže je potreba velikog broja treniranih neuronskih mreža za pronalazak rješenje kod velikih sustava, jer broj predloženih ANN ovisi o broju elemenata u mreži. Nakon što se ANN jednom trenira, pronalazak rješenja je iznimno brz.

Predložena ANN je različita od ostalih obrađenih u literaturi jer predlaže novi pristup koristeći veliki set podataka za trening mreže kako bi se maksimalno iskoristio potencijal ANN i kako bi se dalo optimalno rješenje za rekonfiguraciju mreže i uspostavu napajanja, na način da se definira redosljed uklopa i isklopa prekidača koji će rezultirati minimalnim gubicima u sustavu i maksimalnom količinom tereta spojenim na mrežu. Također, za razliku od ostalih metoda predložena ANN uzima u obzir raspoloživost distribucijskog voda prilikom određivanja rekonfiguracije mreže te određuje optimalni redosljed uklapanja. Naime, ostala literatura uglavnom razmatra da su svi vodovi raspoloživi i takve metode nemaju mogućnost rekonfiguracije u slučaju pojave kvara na jednom ili više vodova te ne uzimaju u obzir redosljed uklapanja pojedinog elementa. Koliko je autoru poznato ovo je prva ANN sa takvim uvjetima koja se koristi za optimalnu rekonfiguraciju mreže [102].

Model će se primijeniti i testirati na standardom IEEE sustavu sa 33-sabirnice. Rezultati će se usporediti i sa nekim od tehnika koje su ranije opisane u literaturi.

## 6.2 Algoritam optimalne rekonfiguracije mreže

Optimalni postupak rekonfiguracije mreže nakon kvara ili djelomičnog raspada sustava podrazumijeva brz i pouzdan povratak potrošnje sustava, na ekonomski prihvatljiv način. Svaki prekid napajanja može se okarakterizirati kao djelomični ili potpuni raspad sustava i specifičan je za svaki slučaj zbog uzroka prekida, stanja elemenata distribucijskog sustava u trenutku prekida i nakon prekida, kao i potrošnje (tokova snage) u sustavu, što direktno utječu na definiranje plana rekonfiguracije mreže.

S optimalnom rekonfiguracijom mreže, moguće je razmatrati scenarije koji uključuju ne samo ponovnu uspostavu napajanja pojedinačnih elemenata sustava, već i ponovnu uspostavu većih dijelova sustava - cijelih sekcija distribucijskih vodova i pripadnih tereta. U ovom slučaju potrebno je balansirati između proizvedene aktivne i jalove energije u odnosu na potrošnju, i održavati stabilnost frekvencije i stabilnosti napona u procesu ponovne uspostave napajanja.

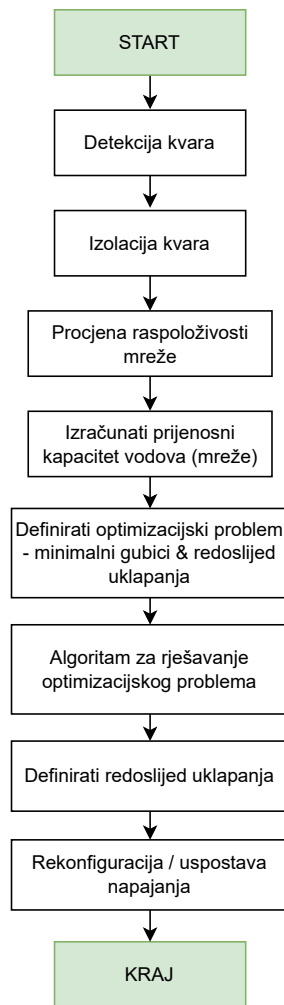
Tijekom ponovne uspostave napona, zbog opasnosti od porasta napona, potrebno je:

- blokirati automatsku regulaciju transformatora;
- održavati napon sustava (podsustava/otoka) u propisanim granicama (predlaže se  $0.9-1.1 U_n$ );

Optimalna ponovna uspostava napajanja odnosi se na rekonfiguraciju mreže nakon kvara ili raspada dijela sustava, razmatrajući status pojedinih rastavnih uređaja prije nego što proces ponovne uspostave napajanja krene. Na ovaj način se izbjegava dugotrajan proces isklapanja svih prekidača nakon kvara i u procesu ponovne uspostave napajanja isključenje prekidača sukladno „korak po korak“ principu. Na slici 1 prikazan je dijagram toka za plan ponovne uspostave napajanja, s ciljem optimizacije procedure, što znači utvrđivanje stanje svih rastavnih uređaj prije početka ponovne uspostave sustava.

Ključan koraci dijagrama optimalne ponovne uspostave napajanja su:

- Definiranje problema koji se odnosi na postavke rastavnih uređaja;
- Primjena algoritma kako bi se riješio problem statusa rastavnih uređaja prije početka ponovne uspostave napajanja.



Slika 6.1: Algoritam optimalna rekonfiguracije mreže

### 6.3 Matematička formulacija problema

Ideja rekonfiguracije distribucijske mreže je ponovna uspostava napajanja nakon kvara ili isklopa dijela mreže, na način da se rekonfiguracijom, odnosno promjenom tokova snaga, napoji maksimalna količina tereta u mreži u što kraćem roku, a da se pri tome poštuju zadana ograničenja. Rekonfiguracijom mreže značajno se smanjuju gubitci i unaprjeđuje naponski profil mreže. U ovom radu funkcija cilja rekonfiguracije mreže je minimizirati gubitke, minimizirati devijacije napona i minimizirati broj uklopa da bi se postiglo optimalno uklopno stanje. Stoga, funkcija cilja može se opisati kao:

$$f = \min\{\omega_1 \times P_{loss} + \omega_2 \times \Delta V_t + \omega_3 \times N_{sw}\} \quad (6.1)$$

Gdje  $P_{loss}$  su ukupni gubitci radne snage u mreži,  $\Delta V_t$  je pokazatelj devijacije napona,  $N_{se}$  je ukupan broj uklopnih radnji kako bi se doseglo optimalno rješenje,  $\omega_1, \omega_2, \omega_3$  su težinski faktori i njihove vrijednosti su između 0 i 1,  $\omega_1, \omega_2, \omega_3 \geq 0$ .

Ukupni gubitci radne snage u mrežu se računa kao [103]:

$$P_{loss} = \sum_{ij=1}^{Nb} \frac{P_{ij}^2 + Q_{ij}^2}{V_j^2} \times R_{ij} \times \gamma_{ij} \quad (6.2)$$

Gdje su  $P_{ij}$  i  $Q_{ij}$  radna i jalova snaga u svojim vodovima  $i-j$ ,  $R_{ij}$  je otpor voda,  $V_j$  je napon na sabirnici,  $\gamma_{ij}$  je binarna vrijednost koja definira raspoloživost voda,  $Nb$  je ukupni broj vodova u distribucijskoj mreži.

Ograničenja napona definirana su kao:

$$V_{i,min} \leq V_i \leq V_{i,max} \quad (6.3)$$

Gdje je  $V_{i,max}$  (1.1 pu),  $V_{i,min}$  (0.9 pu) su ograničenja napona na čvoru  $i$ .

Strujna ograničenja definirana su kao:

$$I_i \leq I_{i,max} \quad (6.4)$$

Gdje su  $I_i$  i  $I_{i,max}$  struja i maksimalna struja čvora  $i$ .

Ograničenje radialne topologije definiran se kao:

$$N_{node} - N_b = 1 \quad (6.5)$$

Gdje je  $N_{node}$  broj čvorova u mreži, a  $N_b$  je ukupni broj vodova u distribucijskoj mreži.

Broj potrebnih uklopa  $N_{sw}$  se određuje na temelju početnog i završnog stanja vodova, može se napasti kao:

$$N_{sw} = \sum_{ij=1}^{Nb} |\chi_{ij}^{ini} - \chi_{ij}^{rec}| \quad (6.6)$$

Gdje je  $\chi_{ij}^{ini}$  početno uklopno stanje vodova  $i,j$ ; a  $\chi_{ij}^{rec}$  je uklopno stanje nakon rekonfiguracije.

## 6.4 Algoritam optimalne rekonfiguracije mreže - AORM

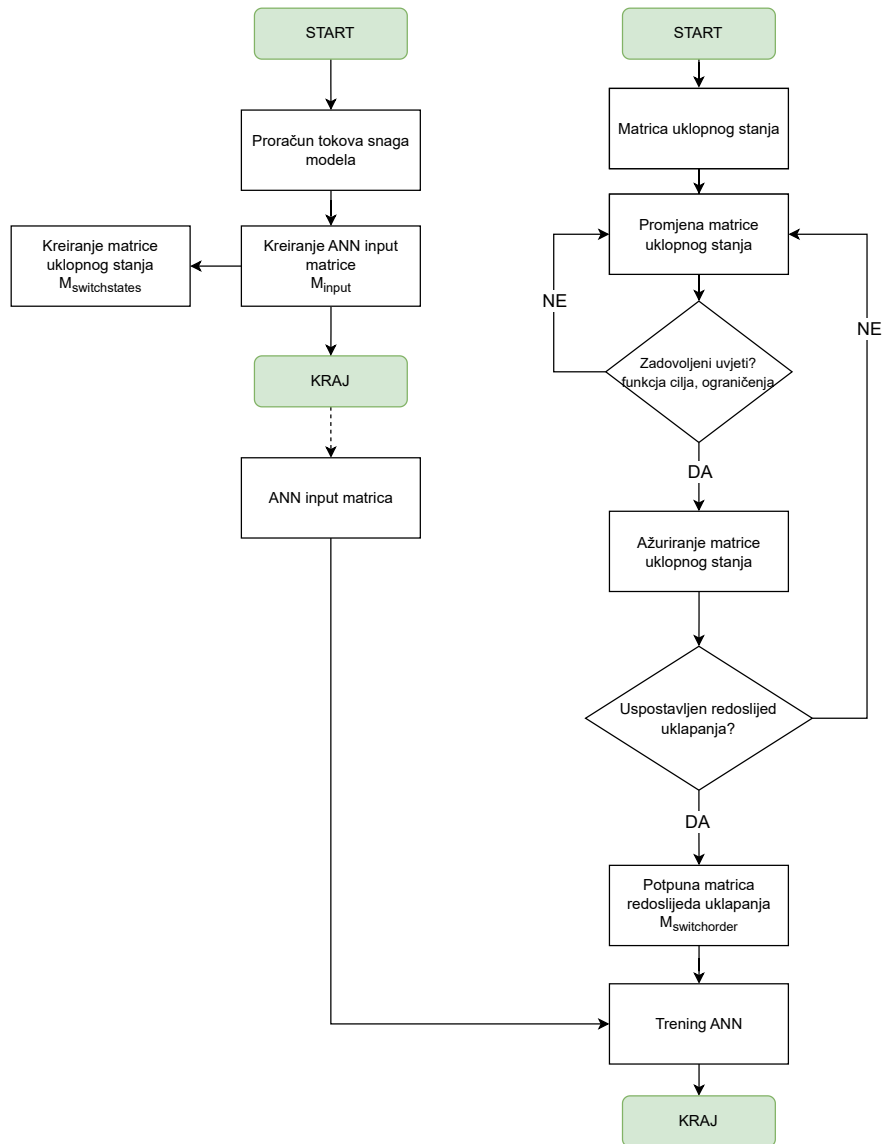
Algoritam za rješavanje problema optimalnog uklopnog stanja može se temeljiti na različitim optimizacijskim metodama, od iterativnih postupaka do umjetne inteligencije. U svakom slučaju potrebno je zadovoljiti ograničenja i funkciju cilja. U ovome radu, algoritam optimalne rekonfiguracije mreže (AORM) temelji se na neuronskim mrežama. Korišten je višeslojni perceptron (eng. multilayer perceptron - MLP) za optimizaciju rekonfiguracije definiranjem redosljeda uklapanja prekidača da bi se postiglo željeno uklopno stanje u distribucijskoj mreži [102].

Struktura MPL organizirana je na takav način da je svaki od 96 neurona u ANN ulaznom sloju dodijeljen jednoj vrijednosti ulaznog vektora, koji predstavlja napone sabirnice, kut napona, vrijednosti radne i jalove snage spojenih vodova i opterećenja dobivene iz mjernih blokova. Skriveni sloj ima 50 neurona, a izlazni sloj ima 10 neurona koji u izlaznom sloju predstavlja status svih prekidača i njihov odgovarajući redosljed uklapanja, u rasponu od 1 do 10; ako uklopno stanje ostane nepromijenjeno, smatra se da je vrijednost 0.

Algoritam se sastoji od dvije faze. U prvoj fazi kreira se ulazna matrica mreže. Ulazna matrica mreže sadrži napon na sabirnicama, kut napona, vrijednosti aktivne i jalove snage priključenih vodova i tereta, te rezultira sa vektorima veličine 96 vrijednosti po presjeku. Izlazni vektor mreže sadrži informaciju o statusa prekidača. Provedene su simulacije za dobivanje ulazno-izlaznih vektora za različite početne vrijednosti opterećenja i pozicija prekidača, čiji su rezultati prikazani sa izlaznom matricom mreže  $M_{switchstates}$  i ulaznom matricom mreže  $M_{input}$ .

Analiza tokova snaga u prvoj fazi rezultira sa dva seta ulazno-izlaznih podataka: Matrica uklopnog stanja  $M_{switchstates}$  sadrži vrijednost stanja prekidača, a ulazna matrica  $M_{input}$  sadrži napon sabirnica, kut napona, vrijednost radne i jalove snage spojenih vodova i tereta. Ukupno je napravljeno 3580 simulacija kako bi se dobili ulazno-izlazni vektori za različite vrijednosti tereta i uklopnog stanja prekidača, što rezultira matricom uklopnog stanja  $M_{switchstates}$  i mrežnom ulaznom matricom  $M_{input}$  koja sadrži ukupno 3580 ulazno-izlazna vektora.

Napon sabirnica  $U$  definira se kao  $|U_{nb}| = [|U_{nb}^a|, |U_{nb}^b|, |U_{nb}^c|]^T$ , kut napona  $\theta$  definiran je kao  $\theta = [\theta_{nb}^a, \theta_{nb}^b, \theta_{nb}^c]^T$ , radna snaga definirana je kao  $P_{nb}$ , a jalova kao  $Q_{nb}$ , gdje  $n_b$  označava broj sabirnice, a oznake  $a, b, c$  fazu. Stoga, ulazna matrica  $M_{input}$  može se prikazati kao:



Slika 6.2: Algoritam optimalne rekonfiguracije mreže - AORM

$$M_{input} = [|U_1|, \dots, |U_{nb}|, \theta_1, \dots, \theta_{nb}, P_1, \dots, P_{nb}, Q_1, \dots, Q_{nb}]^T \quad (6.7)$$

Matrica uklopnog stanja  $M_{switchstates}$  sadrži status prekidača, može se prikazati kao:

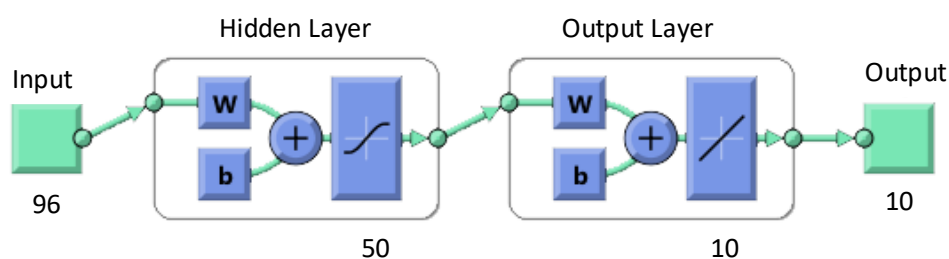
$$M_{switchstates} = [x_1, x_2, \dots, x_{ns}]^T \quad (6.8)$$

gdje je  $x_n = \{0, 1\}$ ,  $1 \leq n \leq n_s$ , gdje  $x_n = 1$  označava prekidač  $n$  koji je zatvoren, a  $x_n = 0$  označava prekidač  $n$  koji je otvoren, dok  $n_s$  označava ukupan broj analiziranih prekidača.

Dijagram toka AORM algoritma prikazan je na slici 6.2. U drugoj fazi AORM algoritam koristi matricu uklopnog stanja i mijenja uklopna stanja prekidača te ih uspoređuje sa odgovarajućom ulaznom matricom dok se algoritam izvodi s ciljem aktiviranja najveće snage i smanjenja gubitaka kod svake operacije prekidača. Ukoliko su uvjeti zadovoljeni redosljed uklapanja u matrici redosljeda uklapanja se povećava, ili se provjerava sljedeće uklopno stanje. Nakon završetka svih iteracija, kreira se potpuna matrica redosljeda uklapanja  $M_{switchorder}$ .

$$M_{switchorder} = [x_{s1}, x_{s2}, \dots, x_{sn}]^T \quad (6.9)$$

Gdje je  $x_{si} = \{0, k\}$ ,  $1 \leq i \leq n_s$ ,  $1 \leq k \leq n_s$ , gdje  $n_s$  označava ukupan broj analiziranih prekidača,  $x_{si} = 0$  označava prekidač  $i$  koji ostaje uklopljen,  $x_{si} = k$  označava prekidač  $i$  koji će se zatvoriti, a  $k$  označava redni broj uklopa prekidača  $i$ . Potpuna matrica redosljeda uklapanja koristi se kao izlazna matrica za trening ANN.



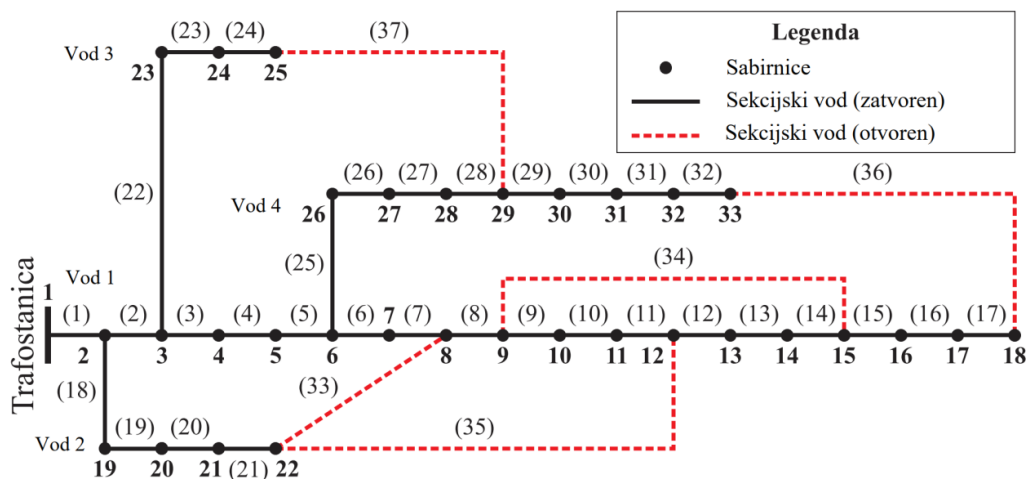
Slika 6.3: Struktura slojeva neuronskih mreža u AORM algoritmu

Slika 6.3 prikazuje strukturu neuronske mreže koja se sastoji od ulaza, skrivenog sloja, izlaznog sloja i izlaza sa naznačenim brojem neurona korištenim u svakom sloju, kako je već objašnjeno u MLP strukturi gore.

## 6.5 Simulacija AORM algoritima

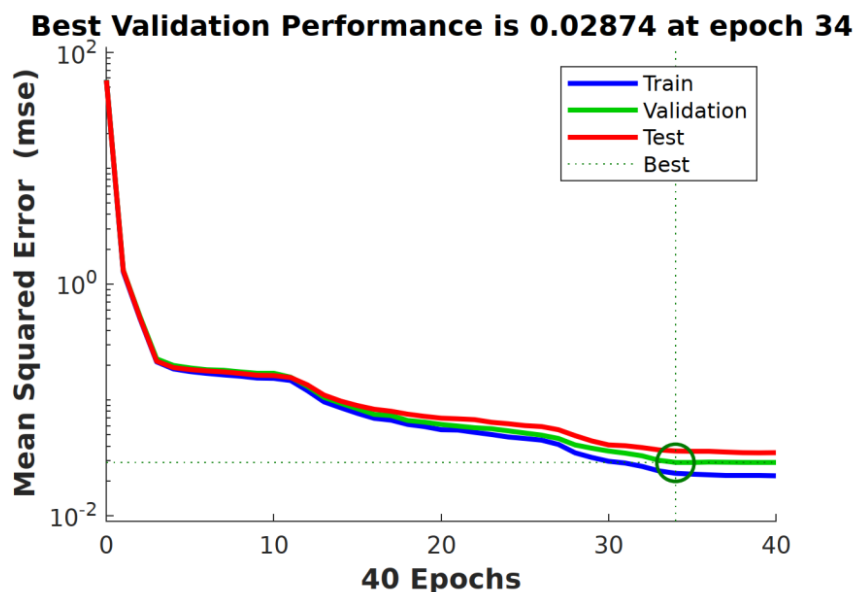
Primjena i testiranje AORM algoritma napraviti će se na standardnoj IEEE test mreži kako bi se mogli usporediti rezultati sa prijašnjim istraživanjima. Testni model IEEE mreže sa 33 sabirnice sadrži ukupno 37 vodova, 32 zatvorene sklopke i 5 otvorenih sklopki. Normalno uklopno stanje podrazumijeva da su vodovi 33, 34, 35, 36, 37 otvoreni, odnosno u beznaponskom stanju. Napon mreže je 12,66 kV, dok je ukupna radna i jalova snaga tereta 3750 kW i 2300 kVar. Gubici u mreži pri normalnom uklopnom stanju su 202,68 kW, najniži napon sabirnice je 0,9131 pu, a maksimalna devijacija napona je 0,0854 pu. Konfiguracija mreže pri normalnom uklopnom stanju, prije rekonfiguracije, prikazana je na slici 6.4.





Slika 6.4: IEEE mreža sa 33 sabirnice, prije rekonfiguracije

Mreža je modelirana u alatu MATLAB Simulinku. Konfiguracija mreža, podaci o vodovima, radna i jalova reaktivna snaga potrošnje, preuzeti su iz [96]. Za promatranu mrežu analizirati će se dva stanja, normalno ukopno stanje mreže (stanje prije rekonfiguracije) i ukopno stanje mreža nakon primjene AORM algoritma (stanje nakon rekonfiguracija).

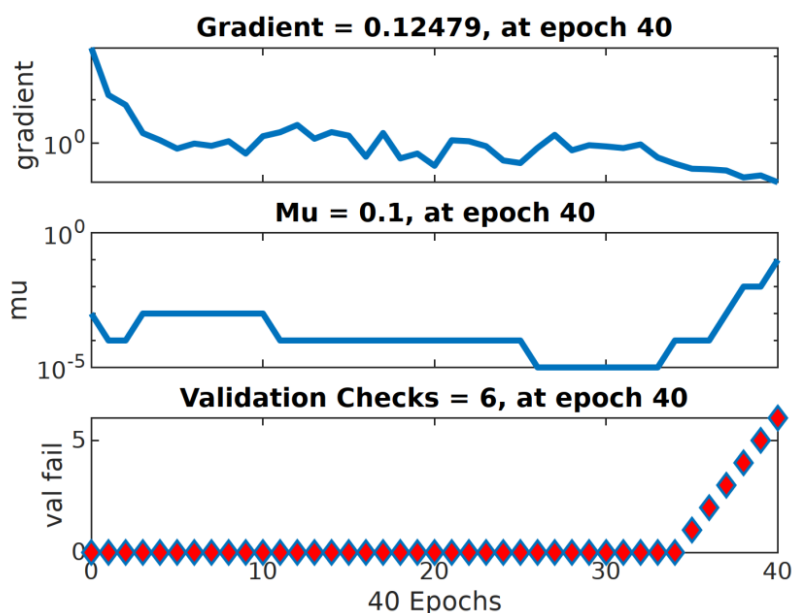


Slika 6.5: Krivulja učinkovitosti za trening ANN

Tijekom formiranja neuronske mreže u programskom paketu MATLAB moguće je vidjeti pojedine parametre i njihove promjene tijekom učenja neuronske mreže. U AORM algoritmu matrica ulaznih podataka korištena je za treniranje neuronske mreže sastoji se od 3580 ulazni vektora uključujući sve moguće konfiguracije prekidača, lokacija kvara, napona sabirnica, prijenosne moći vodova, ograničenja za stabilnost sustava. Ulazni podaci su podijeljeni na 2864

vektora za učenje neuronske mreže, 358 vektora za validaciju i 358 vektora za testiranje. U svim ANN u ovome radu koristi se distribucija od 80% za učenje, 10% za validaciju, 10% za testiranje, dok se ulazni podaci nasumično dodjeljuju pojedinoj grupi.

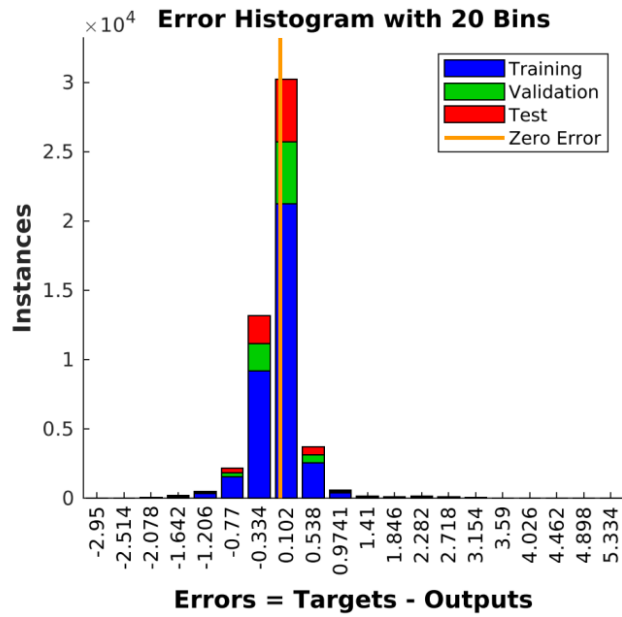
Trening neuronske reže je napravljen za različite broj neurona u skrivenom sloju. Mreže sa 30, 50, 75 i 100 neurona su trenirane i uspoređene. Najbolji rezultat treninga je postignut za neuronsku mrežu sa 50 neurona nakon 34 epohe. Graf na slici 6.5 prikazuje vrijednost srednje kvadratne pogreške (eng. mean squared error - MSE) između trenutnih vrijednosti i vrijednosti koje predviđa neuronska mreža u svakoj epohi. Greška se smanjuje nakon svake trening epohe. Prikazana je krivulja učinkovitosti za trening, test i validaciju, MSE se smanjuje kako se povećava broj epoha za svaki set podataka. Nakon što je dostignuta najbolja validacija MSE je konstantan. Najbolja verifikacija i najniža vrijednost srednje kvadratne pogreške i postignuta u 34. Epohi i iznosila je 0,02874.



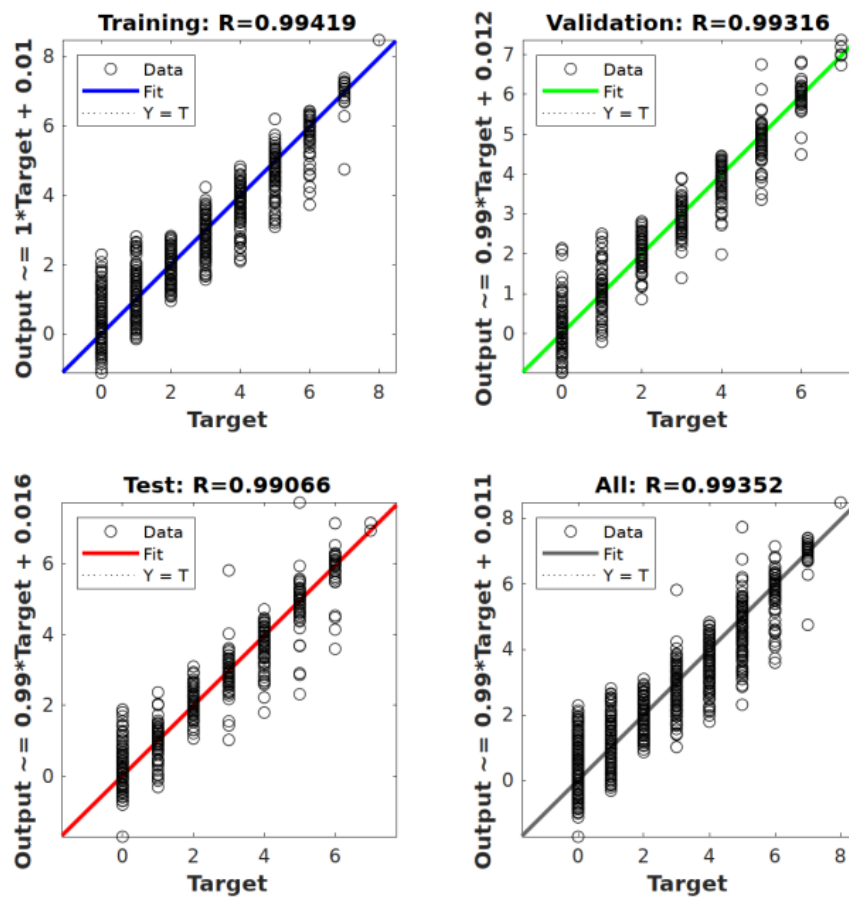
Slika 6.6: Stanja parametara učenja neuronske mreže

Slika 6.6 prikazuje parametre učenja ANN u tri grafa. Prvi prikazuje promjenu gradijenta tijekom učenja iz čega je vidljiv napredak u učenju kroz svaku epohu. Drugi graf prikazuje parametra mu, dok treći graf prikazuje broj neuspješnih validacija po pojedinoj epohi. Postupak treniranja ANN se uslijed šest neuspješnih validacija automatski zaustavlja što je vidljivo na grafu u zadnjoj epohi.

Histogram grešaka (eng. Error histogram) prikazuje odstupanja ciljanih vrijednosti od izlaznih vrijednosti ANN, kao što prikazuje Slika 6.7 Stupac na području nulte greške (eng. Zero error bar) prikazuje broj točno predviđenih vrijednosti od ukupnog broja podataka korištenih za trening, test i validaciju. ANN trening se smatra uspješnim ako je u histogramu grešaka većina



Slika 6.7: Histogram grešaka



Slika 6.8: Prikaz linearne regresije

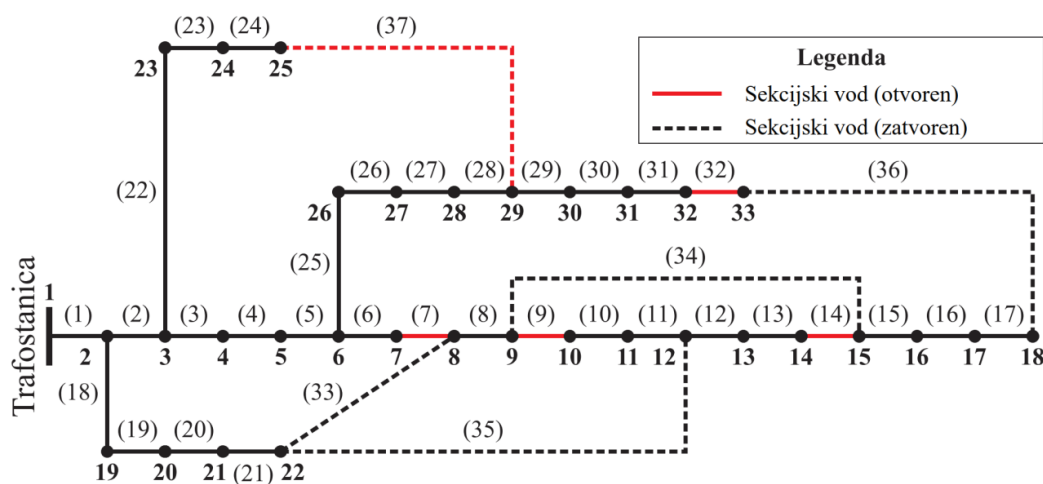
stupaca koncentrirana oko područja nulte greške i stupac nulte greške je najveći.

Graf linearne regresije prikazan je na Slici 6.8. Na njemu se može vidjeti kakva je korelacija

podataka korištenih za učenje, validaciju i testiranje. U ovom slučaju poželjno je da se svi podaci nalaze na dijagonalnom pravcu i da ima što manje rasipanja podataka. Vrijednost linearne regresije za svaki set podataka naveden je na vrhu svakog grafa. Idealan iznos linearne regresije je kada je rješenje predviđeno od ANN jednako ciljanoj vrijednosti, a to je  $R=1$ . Rezultati pokazuju da su vrijednosti linearne regresije dobivenom primjenom ove ANN blizu 1.

## 6.6 Verifikacija

Rezultat AORM algoritma na primjeru IEEE mreže sa 33 sabirnice je matrica uklapanja za konfiguraciju 7,9,14,32,37. Ova konfiguracije mreže je postigla najbolje rezultate. Nakon rekonfiguracije gubici radne snage iznose 138,912 kW, što je smanjenje od 31,22%. Poboľjšani su i naponski uvjeti, minimalni iznos napona je 0,9413 p.u., a maksimalna devijacija napona je 0,0581 pu. Konfiguracija mreže pri kojoj se imaju smanjeni gubici prikazana je na slici 6.9, a dobivena je zatvaranjem prekidača 33, 34, 35, 36 i otvaranjem prekidača 7, 9, 14 i 32. Prekidač 37 nakon rekonfiguracije nije promijenio uklopno stanje.



Slika 6.9: IEEE mreža sa 33 sabirnice, nakon rekonfiguracije

Kako bi verificirali rezultate i predloženu metoda, potrebno je usporediti rezultate sa drugim optimizacijskim tehnikama iz literature korištenim na istoj mreži. Usporedba rezultat prikazana je u tablici 6.1 gdje se pokazuje usporedba rezultata optimalne rekonfiguracije mreže primjenom metoda GA (eng. genetic algorithm) [98], SFS (eng. Stochastic fractal search) [96], CSA (eng. cuckoo search algorithm) [101], FWA (eng. fireworks algorithm) [97] sa AORM metodom na istom modelu mreže IEEE sa 33 sabirnice. Razlika između metoda je u tipu i načinu optimizacije. Rezultati pokazuju poprilično slične rezultate između promatranih metoda. Može se zaključiti da nakon rekonfiguracije mreže algoritmi CSA i predloženi AORM algoritam imaju

najmanje gubitke, odnosno najbolje rezultate. Razlika u rezultatima je skoro pa zanemariva, čime se potvrđuje da predložena metoda AORM daje rezultat zadovoljavajuće točnosti.

**Tablica 6.1:** Usporedba rezultata rekonfiguracije IEEE mreže sa 33 sabirnice

	Otvoreni prekidači	Gubici, kW	Smanjenje gubitaka, %	$V_{min}$ , p.u.	$\Delta V$ , p.u.
Normalno uklopno stanje	33,34, 35, 36,37	202.68	-	0.9131	0.0854
GA [98]	7, 9, 14, 32, 37	138.93	31.55	0.9423	0.0587
SFS [96]	7, 9, 14, 32, 37	139.55	31.15	0.9378	0.0617
CSA [101]	7, 9, 14, 32, 37	138.87	31.55	0.9423	0.0577
FWA [97]	7, 9, 14, 32, 37	139.98	31.13	0.9413	0.0587
AORM	7, 9, 14, 32, 37	138.91	31.22	0.9421	0.0581

Normalno uklopno stanje predstavlja prvi analizirani slučaj (Slučaj 1). U nastavku će se analizirati AORM algoritam u uvjetima kvara u mreži sa različitim slučajevima kvara i stanja mreže.

- Slučaj 2: Kvar u vodu 17 (odabran nasumično)
- Slučaj 3: kvar u vodu 7 i 34 (najduži vodovi u modelu)
- Slučaj 4: neraspoloživa linije 3, 14, 33 (kratki, srednje dugi, dugački vod)

U tablici 6.2 prikazani su redoslijedi uklopa prekidača za pojedini slučaj, kao i gubici i devijacija napona. Ovime se želi pokazati kako AORM algoritam uzima u obzir lokaciju kvara i raspoloživost voda kod izračuna optimalnog uklopnog stanja.

**Tablica 6.2:** Analiza AORM sa različitim slučajevima kvara i stanja mreže

Slučaj	Vod u kvaru	Završna konfiguracija	Gubici, kW	$\Delta V$ , p.u.	Broj operacija
II	17	7, 9, 14, 17, 28	147.54	0.0662	4
III	7, 34	7, 11, 32, 34, 37	143.45	0.0614	4
IV	3, 14, 33	3, 6, 14,33, 36	214.34	0.0795	8

Rekapitulacija analiziranih slučajeva i optimalni redoslijed uklapanja za sve analizirane slučajeve prikazani su u tablici 6.3. Za slučaj 4 kada vodovi 3,14,33 nisu raspoloživi potrebno je 8 operacija kako bi se došlo u optimalno uklopno stanje. Ukupni gubici u tom slučaju su 674,40 kW. Redoslijed uklapanja mora zadržati radialnu topologiju mreže, algoritam je to uzeo u obzir.

**Tablica 6.3:** Optimalni redoslijed uklapanja za sve slučajeve

Početna konfiguracija	Završna konfiguracija	Vod u kvaru	Redoslijed uklapanja	Gubici, kW	Uk.gubici, kW
33, 34, 35, 36, 37	7, 9, 14, 32, 37	-	9 – open 35 – close 7 – open 33 – close 14 – open 34 – close 32 – open 36 – close	154.65 146.12 142.11 139.02	581.90
7, 9, 14, 32, 37	7, 9, 14, 17, 28	17	17 – open 32 – close 28 – open 37 – close	140.12 147.23	287.35
7, 9, 14, 32, 37	7, 11, 32, 34, 3	7, 34	11 – open 9 – close 34 – open 14 – close	141.12 143.23	284.35
7, 9, 14, 32, 37	7, 11, 32, 34, 3	3, 14, 33	36 – open 30 – close 6 – open 7 – close 33 – open 9 – close 3 – open 14 – close	141.75 144.03 171.88 216.74	674.40

## 6.7 Zaključak poglavlja

U ovome poglavlju opisan je rad algoritma optimalne rekonfiguracije mreže AORM. Definiran je matematički i optimizacijski problem te je provedena optimizacija korištenjem umjetnih neuronskih mreža, kojom je određen optimalni redosljed uklopa i isklopa pojedinih prekidača u mreži, uvažavajući sva ograničenja i raspoloživost vodova. Algoritam je zatim testiran na standardnoj IEEE mreži sa 33 sabirnice. Na osnovu dobivenih rezultata prikazana su poboljšanja u mreži, te je potvrđeno da se sa predloženim AORM algoritmom može izvršiti optimalna rekonfiguracija mreže za različita stanja mreže. Algoritam je testiran u uvjetima kvara i nerasploživosti dijela mreže. Usporedbom rezultata sa drugim optimizacijskim metodama na istom modelu mreže potvrdio se ispravan rad AORM algoritma. Znanstveni doprinos u AORM algoritmu je taj da je za optimalnu rekonfiguraciju mreže korištena drugačija metoda temeljena na umjetnoj neuronskoj mreži sa zadanim načinom rada i definiranim ograničenjima.

# Poglavlje 7

## Metoda dinamičke adaptivnosti zaštite

### 7.1 Uvod

Unutar energetskog sustava, distribucijska mreža ima funkciju isporučiti energiju koja se prenosi od trafostanica preko vodova do krajnjih korisnika. Zbog svoje kompleksne strukture, distribucijska mreža izložena je raznim rizicima koji mogu ugroziti rad mreže. Stoga, potrebno je na adekvatan način štititi mrežu kako bi se garantiralo adekvatno vođenje cijele mreže u skladu sa tehničkim zahtjevima kako što su kontinuirana i kvalitetna opskrba električnom energijom. Zagušenja i razni kvarovi u mreži mogu ugroziti kvalitetu opskrbe, posebno ako se ne mogu otkloniti u kratkom vremenskom roku. To može dovesti da dio korisnika mreže ostane bez napajanja dugi period vremena. U takvim okolnostima, potrebna je brza i učinkovita rekonfiguracija mreže, posebno kada su u pitanju kritični korisnici mreže (potrošači i proizvođači), kojima je cilj ostati spojen na mrežu i kada se dogode poremećaji i kvarovi. Primjenom naprednih tehnologija upravljanja i zaštite moguće je razviti samo-obnavljajuću mrežu koja ima mogućnost automatizirati proces detekcije kvara, izolacije kvara i ponovne uspostave napajanja. Koncept i modeli samo-obnavljajuće mreže opisani su u poglavlju 4. U ovome poglavlju predstaviti će se zajedničko koordinirano djelovanje dva algoritma kroz metodu dinamičke adaptivnosti zaštite i upravljanja (MDAZU) kako bi se ostvarila puna funkcionalnost napredne samo-obnavljajuće mreže, a to je detekcija i izolacija kvara, optimalna rekonfiguracija mreže i optimalno adaptiranje sustava zaštite na nove uvjete.

Algoritmi za detekciju kvara, izolaciju kvara i ponovno uspostavljanje napajanja (FLISR) su popularna tema u literaturi. U [104] opisan je FLSIR algoritam baziran na komunikaciji IEC61850 između zaštitnih uređaja. Algoritam se temelji na statičkoj adaptivnosti zaštite (predefinirane postavke). Rad u [105] opisuje algoritam FLISR koji se temelji na PMU mjerenju



za određivanje lokacije kvara, algoritma za rekonfiguraciju koji se temelju na point-to-point prozivanju prekidača kako bi se utvrdila mogućnost uklopa. U [106] je opisana FLISR aplikacija unutar DMS sustava (eng. Distribution Management System), temeljena na centraliziranoj arhitekturi i statičkoj adaptivnosti (predefimirani slučajevi). Rad u [107] opisuje algoritam koji koristi Monte Carlo metodu za određivanje pouzdanosti kibernetičkog fizičkog sustava distribucijske mreže (eng. cyber physical distribution system - CPDS). U [108] opisan je FLISR algoritam baziran na multingentskim sustavima. U [109] [110] [111] opisani su razni FLISR algoritmi i aplikacije unutar DMS, sve baziranu na statičkoj adaptivnosti. Predložena MDAZU metoda se bazira na optimizacijskim metodama inteligentnog pretraživanja i istovremenom primjenom dva algoritma za optimalnu rekonfiguraciju mreže AORM i algoritma za optimalnu koordinaciju zaštite AOKZ uz korištenje komunikacijske tehnologije predstavlja znanstveni doprinos u području naprednog vođenja samo-obnavljajućih mreža.

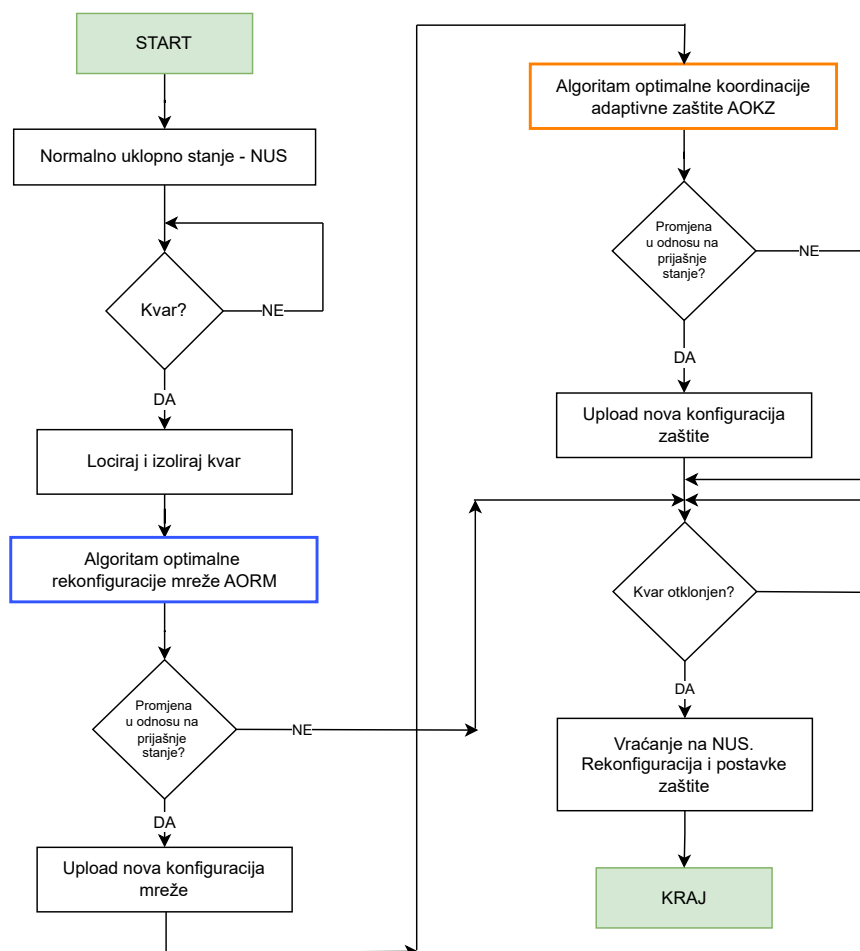
## 7.2 Metoda dinamičke adaptivnosti zaštite i upravljanja - MDAZU

Prilikom pojave kvara u mrežu isti je potrebno detektirati te neposredno nakon toga izolirati. U poglavlju 2 opisane su vrste kvarova u EES. Detekcija i izolacija kvara su postupci koji se mogu predefimirati sa statičkim postavkama releja. Nakon kvara, mreža se ručno ili daljinski rekonfigurira na način da se što većem broju korisnika mreže vrati napajanje. Ovisno o raspoloživom komunikacijskom infrastrukturom unutar EES, te mogućnostima kojima raspolažu uređaji relejne zaštite, postupak detekcije i izolacije kvara, te rekonfiguracije moguće je postaviti kao dinamički, odnosno da se odvija u stvarnom vremenu gdje uređaji relejne zaštite međusobno razmjenjuju informacije o stanju prekidača i postavkama zaštite.

U prijašnjim poglavljima 5 i 6 opisani su algoritam optimalne rekonfiguracije mreže i algoritam optimalne koordinacije relejne zaštite kojim se određuju optimalni parametri za rekonfiguraciju mreže i optimalne postavke za koordinaciju nadstrujnih releja kod zaštite vodova. Algoritmi mogu raditi zasebno, kako je prikazano u ranijim poglavljima, ali također mogu raditi zajedno. U ovome poglavlju predstavlja se zajedničko koordinirano djelovanje dva algoritma kroz metodu dinamičke adaptivnosti zaštite i upravljanja (MDAZU) kako bi se ostvarila puna funkcionalnost napredne samo-obnavljajuće mreže, a to je detekcija i izolacija kvara, optimalna rekonfiguracija mreže i optimalno adaptiranje sustava zaštite na nove uvjete.

Na slici 7.1 opisan je dijagram toka algoritma MDAZU. Kao ulazni parametar i početak algoritma MDAZU je pojava nepovoljnog događaj u mreži kvara, te se detekcija i izolacija kvara određuju na razini uređaja relejne zaštite. Nakon detekcije zaštitnih funkcije utvrđuje se

da se radi o trajnom kvaru. Kvar se izolira te algoritam zatim predviđa pokretanje proračuna optimalne rekonfiguracije mreže s ciljem da što veći broj korisnika mreže ostane na mreži i da ne izgube napajanje.



Slika 7.1: Dijagram toka metoda MDAZU

Prilikom rekonfiguracije algoritam uzima u obzir koji dio mreže je raspoloživ, a koji dio mreže je neraspolaživ odnosno gdje je izoliran kvar. Ukoliko je došlo do promjene konfiguracije mreže u odnosu na NUS potrebno je utvrditi da li je potrebno mijenjati udešenja zaštite na relejima. Ukoliko nije došlo do promjene u odnosu na NUS, smatra se da nije potrebno raditi rekonfiguraciju mreže niti dodatne koordinacije zaštite zato jer su releji inicijalno podešeni upravo za NUS. Za slučaj kada je potrebna rekonfiguracije mreže, pokreće se proračun optimalnog udešenja i koordinacije relejne zaštite s obzirom na novo stanje topološko stanje mreže. Ukoliko je došlo do promjena u postavkama zaštite kod pojedinog releja, nove postavke potrebno je poslati u releje, te izvršiti rekonfiguraciju mreže na novo stanje. Ovim postupkom izolirao se dio mreže koji je u kvazi, a sačuvao se maksimalni broj korisnika na mreži koji nisu zahvaćeni kvarom. Kako je opisani ranije, u slučaju priključenja DI na mrežu koji nisu

zahvaćeni kvarom, oni imaju zadatak sami se resinkronizirati na novo stanje mreže koristeći vlastite uređaje za sinkronizaciju, ali pod uvjetima koje im operator sustava dopušta, u skladu sa uvjetima korištenja mreže pojedinog DI.

Nakon izolacije kvara i optimalne rekonfiguracije mreže, operator sustava kreće u fizičko otklanjanje i saniranje kvara. Nakon što se kvar uspješno otkloni stječu se uvjeti za vraćanje napona na dio mreže koji je bio zahvaćen kvarom i izoliran. U pravilu, operator sustava vraća mrežu u NUS standardnim postupcima daljinskog vođenja sustava. Provodi se rekonfiguracija mreže te je potrebno istovremeno promijeniti, tj. vratiti udešenja zaštite na relejima na postavke za prethodno određeno NUS. Time je algoritam završio svoj ciklus i čeka novi start. U nastavku opisan je pseudokod predložene MDAZU metode.

---

**Algorithm 2** MDAZU

---

Input: NUS

```
if Pojava kvara then
  nastavi dalje else
    | vrati se na NUS
  end
end
Lociraj i izoliraj kvar
Pokreni AORM
if Promjena konfiguracije then
  nastavi dalje else
    | odi na MARKER1
  end
end
Pokreni AOKZ
if Promjena zaštite then
  nastavi dalje else
    | odi na MARKER2
  end
end
Upload nova konfiguracija zaštite
Upload nova konfiguracija mreže
if Kvar otklonjen then
  nastavi dalje else
    | vrati se korak nazad
  end
end
Vraćanje na NUS
```

---

Ukupno vrijeme trajanje MDAZU algoritma od pojave kvara do konačne rekonfiguracije i vraćanja u NUS ovisi o nekoliko faktora:

- $t_1$  - vrijeme procesuiranja zaštitne funkcije na releju (vrijeme pobude i nalog za isklop)

- $t_2$  - vrijeme otvaranja prekidača
- $t_3$  - vrijeme AORM algoritma
- $t_4$  - vrijeme AOKZ algoritma
- $t_5$  - vrijeme promjena postavki prekidača i releja (rekonfiguracija)
- $t_6$  - vrijeme otklanjanja kvara i povratka u NUS (rekonfiguracija)
- $t_7$  - vrijeme razmjene informacija u komunikacijskoj infrastrukturu

Stoga se ukupno vrijeme potrebno za izvršenje MDAZU algoritma može napisati kao:

$$t_{MDAZU} = t_1 + t_2 + t_3 + t_4 + t_5 + t_6 + t_7 \quad (7.1)$$

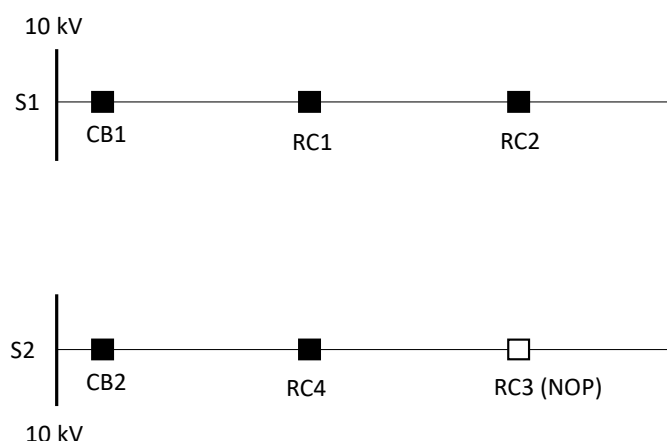
Vremena  $t_1, t_2$  su uvjetovani karakteristikom proizvođača opreme. Vremena  $t_3, t_4, t_5$  ovise o kompleksnosti i veličini mreže i procesorskoj snazi računala na kojem se radi simulacija. Vrijeme  $t_6$  ovisi o operatoru mreže. Vrijeme  $t_7$  ovisi o tipu komunikacijske infrastrukture kao i količini podataka koja se razmjenjuje.

Da bi se postigla funkcionalnost algoritma MDAZU nužno je da zaštitni uređaji međusobno komuniciraju preko komunikacijske infrastrukture (centralizirano ili decentralizirano) jer jedino tako se mogu razmijeniti informacije o stanju prekidača i udešenja zaštite, a kod provođenja MDAZU potrebno je preko komunikacijske infrastrukture razmjenjivati podatke o rezultatima algoritama AORM i AOKZ. Metoda se smatra dinamičkom jer osim u slučaju NUS nema predefiniраниh postavki, već se one dinamički mijenjaju i prilagođavaju ovisno o trenutnom stanju mreže (raspoloživost mreže, gubici u mreži, strujno-naponske prilike, mogućnost udešenja zaštite). Za razliku od statičke adaptivnosti, gdje je postojala određena adaptivnost sustava, ali je ograničena na određeni broj predefiniраниh konfiguracija u mreži, u slučaju MDAZU nema ograničenja u broju mogućih konfiguracija mreže kao ni udešenja releja, već se za svaku situaciju prilagođava na stvarno stanje.

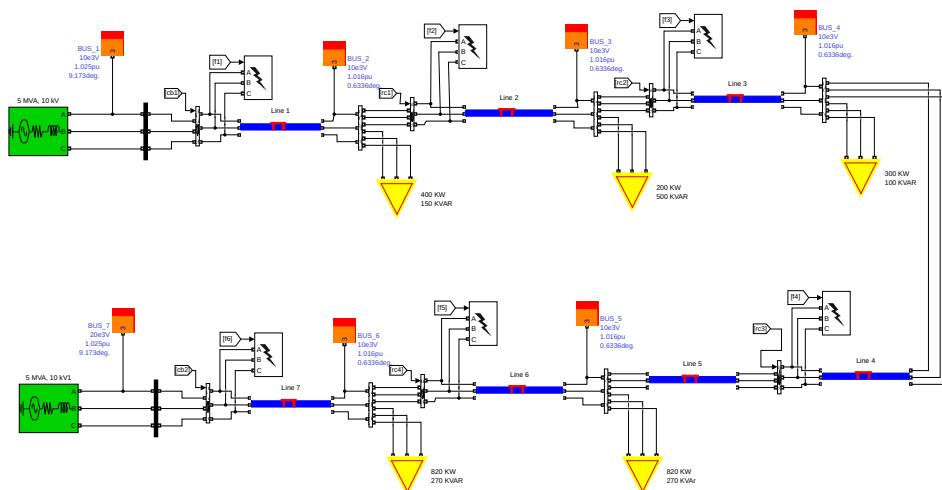
Primjenom algoritma MDAZU na distribucijskoj mreži smanjuju se gubici, povećava se selektivnost zaštite i raspoloživost sustava, te da se smanjuje vrijeme trajanje i učestalost prekida. Model ima sposobnost svaki kvar detektirati, locirati, izolirati, te uspostaviti ponovno napajanje. Osnovna značajka samo-obnavljajućih distribucijskih mreža je upravo adaptivnost. Svaka promjena u konfiguraciji mreže automatski će utjecati na podešenja zaštitnih releja. Kako bi se prikazala puna funkcionalnost modela, u nastavku rada prikazat će se primjena algoritma MDAZU na ispitnom modelu dijela distribucijske mreže.

## 7.3 Simulacija MDAZU

Primjena i testiranje metode MDAZU napraviti će se na primjeru dijela mreže HEP Elektra Koprivnica prikazane na slici 7.2. Mreža se sastoji od dvije sabirnice, 6 prekidača (recloser), od koji je jedan otvoren (RC3-NOP) s obzirom da se mreža vodi kao radialna. Svaki prekidač ima mjerenje napona ispred i iza prekidača. Napon mreže je 10 kV, dok je ukupna radna i jalova snaga svih tereta 2540 kW i 1290 kVAr. Gubici u mreži pri normalnom uklopnom stanju su 136,80 kW. Konfiguracija mreže pri normalnom uklopnom stanju, prikazana je na slici 7.2.



Slika 7.2: Model mreže HEP Elektra Koprivnica



Slika 7.3: Matlab model mreže HEP Elektra Koprivnica

Matrica normalnog uklopnog stanja za promatrani vod prikazana je u tablici 7.1. U matrici broj 1 označava da je prekidač uklopljen (zatvoren), dok broj 0 podrazumijeva da je prekidač isklopljen (otvoren).

Mreža je modelirana u MATLAB Simulinku, model mreže prikazan je na slici 7.3. Konfi-

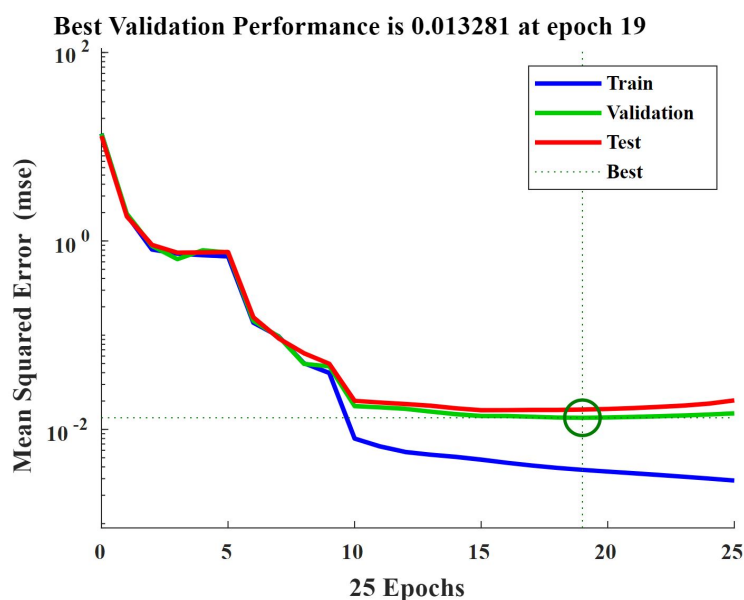
**Tablica 7.1:** Matrica normalnog uklopnog stanja promatranog modela

CB1	RC1	RC2	RC3	RC4	CB2
1	1	1	0	1	1

guracija mreža, podaci o vodovima, radna i jalova reaktivna snaga potrošnje, preuzeti su iz HEP ODS Elektra Koprivnica. Za promatranu mrežu analizirati će se rad modela MDAZU prilikom pojave kvara. Usporediti će se normalno ukopno stanje mreže (stanje prije rekonfiguracije), stanje mreže nakon pojave kvara i nakon rekonfiguracije.

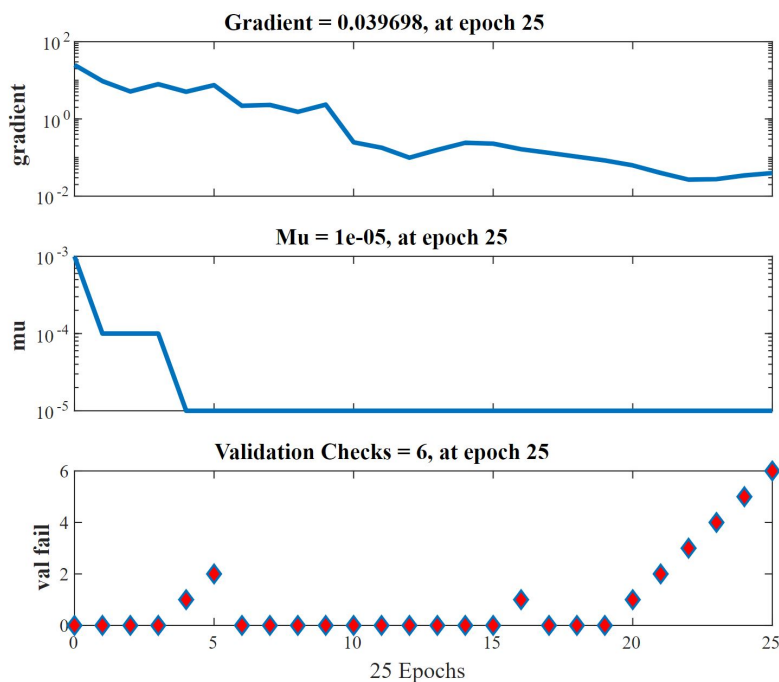
### 7.3.1 Treniranje neuronske mreže

Kao prvi korak, potrebno je istrenirati neuronsku mrežu u sklad sa AORM algoritmom. Tijekom formiranja neuronske mreže moguće je vidjeti pojedine parametre i njihove promjene tijekom učenja neuronske mreže. U AORM algoritmu matrica ulaznih podatka korištena je za treniranje neuronske mreže sastoji se od 734 ulazni vektora uključujući sve moguće konfiguracije prekidača, lokacija kvara, napona sabirnica, prijenosne moći vodova, ograničenja za stabilnost sustava. Ulazni podaci su podijeljeni na 588 vektora za učenje neuronske mreže, 73 vektora za validaciju i 73 vektora za testiranje (80% za učenje, 10% za validaciju, 10% za testiranje), dok se ulazni podaci nasumično dodjeljuju pojedinoj grupi.

**Slika 7.4:** Krivulja učinkovitosti za trening ANN

Trening neuronske reže je napravljen za različite broj neurona u skrivenom sloju. Mreže sa 30,50,75 neurona su trenirane i uspoređene. Najbolji rezultat treninga je postignut za neuronsku

mrežu sa 50 neurona nakon 19 epoha. Graf na slici 7.4 prikazuje vrijednost srednje kvadratne pogreške (eng, mean squared error - MSE) između trenutnih vrijednosti i vrijednosti koje predviđa neuronska mreža u svakoj epohi. Greška se smanjuje nakon svake trening epohe. Prikazan je krivulja učinkovitosti za trening, test i validaciju. Kako je prikazan, MSE se smanjuje kako se povećava broj epoha za svaki set podataka. Nakon što je dostignuta najbolja validacija MSE je konstantan. Najbolja verifikacija i najniža vrijednost srednje kvadratne pogreške i postignuta u 19. Epohi i iznosila je 0,013281.

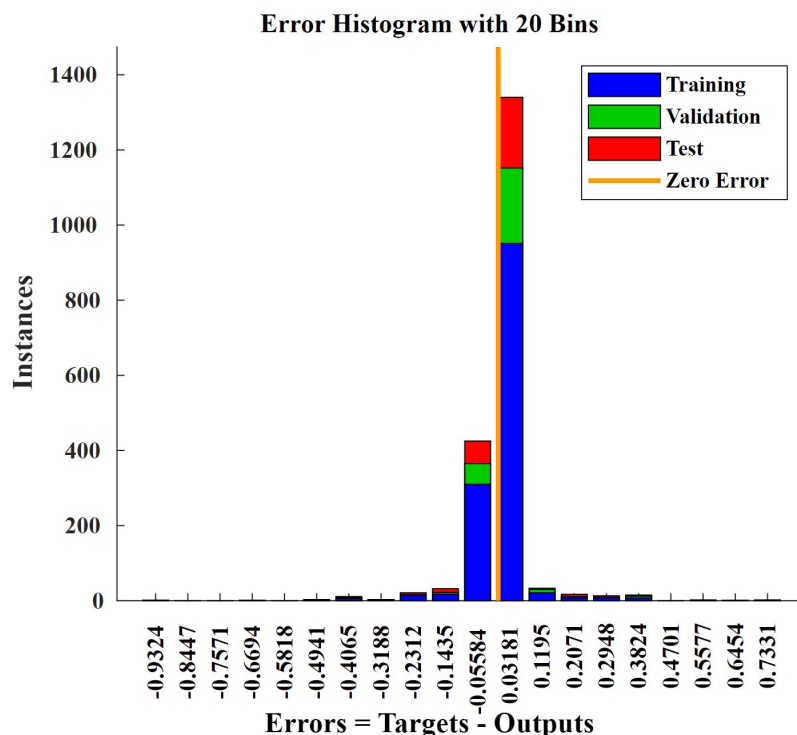


**Slika 7.5:** Stanja parametara učenja neuronske mreže

Slika 7.5 prikazuje parametre učenja ANN u tri grafa. Prvi prikazuje promjenu gradijenta tijekom učenja iz čega je vidljiv napredak u učenju kroz svaku epohu. Drugi graf prikazuje parametra mu, dok treći graf prikazuje broj neuspješnih validacija po pojedinoj epohi. Postupak treniranja ANN se uslijed šest neuspješnih validacija automatski zaustavlja što je vidljivo na grafu u zadnjoj epohi.

Histogram grešaka (eng. Error histogram) prikazuje odstupanja ciljanih vrijednosti od izlaznih vrijednosti ANN, kao što prikazuje slika 7.6 Stupac na području nulte greške (eng. Zero error bar) prikazuje broj točno predviđenih vrijednosti od ukupnog broja podataka korištenih za trening, test i validaciju. ANN trening se smatra uspješnim ako je u histogramu grešaka većina stupaca koncentrirana oko područja nulte greške i stupac nulte greške je najveći.

Graf linearne regresije prikazan je na slici 7.7. Na njemu se može vidjeti kakva je korelacija podataka korištenih za učenje, validaciju i testiranje. U ovom slučaju poželjno je da se svi podaci nalaze na dijagonalnom pravcu i da ima što manje rasipanja podataka. Vrijednost linearne



Slika 7.6: Histogram grešaka

regresije za svaki set podataka naveden je na vrhu svakog grafa. Idealan iznos linearne regresije je kada je rješenje predviđeno od ANN jednako ciljanoj vrijednosti, a to je  $R=1$ . Rezultati pokazuju da su vrijednosti linearne regresije dobivenom primjenom ove ANN blizu 1.

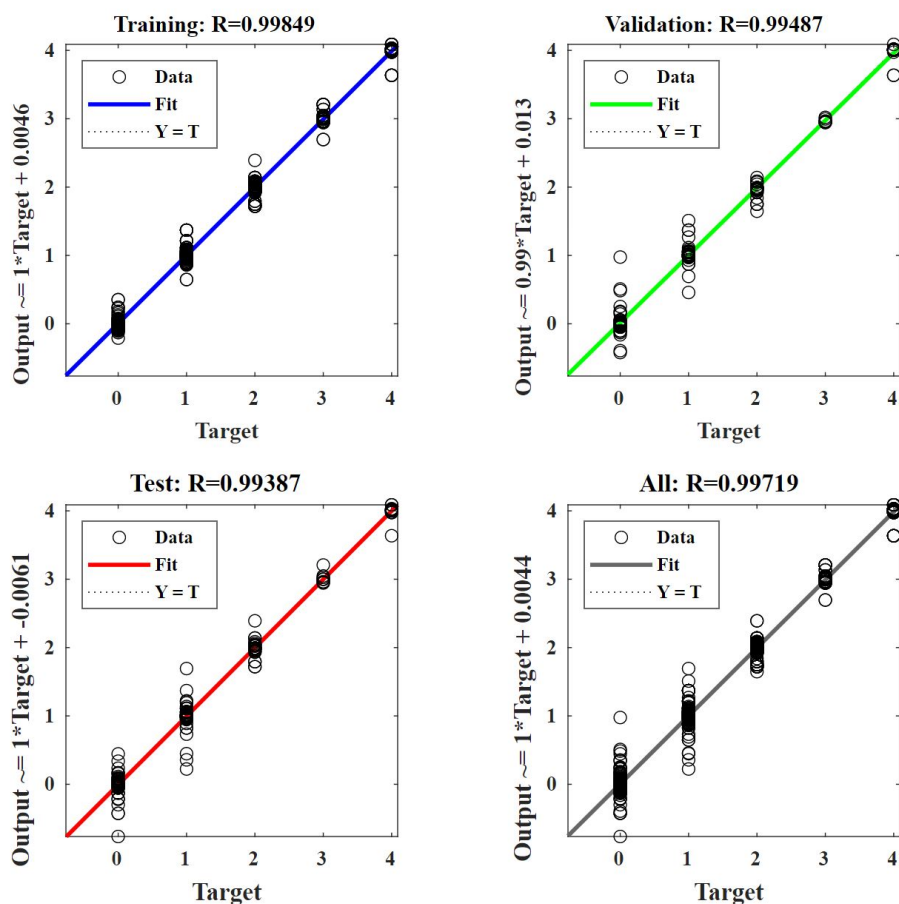
Rezultat AORM algoritma na primjeru testne mreže je matrica uklapanja za konfiguraciju u kojoj je RC3 rasklopno mjesto. Ova konfiguracije mreže je postigla najbolje rezultate, stoga je NUS ujedno i optimalno stanje mreže sa stajališta gubitaka i iznosa napona sabirnica.

### 7.3.2 Koordinacija relejne zaštite

Vrijeme djelovanja relejne zaštite treba biti podešeno tako da se održi selektivnost primarne zaštite. U slučaju nedjelovanja primarne zaštite aktivira se rezervna zaštita čije je vrijeme djelovanja još više odgođeno da se održi selektivnost viših stupnjeva zaštite. Koordinaciju relejne zaštite na istom modelu za normalno uklopno stanje provest će se primjenom algoritma AOKZ.

Donja i gornja granica TMS su postavljene na 0,1 i 1,1, dok je granica Ps postavljena na 1,0 i 5,0 u koracima od 0,5 A. Vrijednost CTI postavljena je na 0,1s. Releji korišteni u simulaciju su tip Siemens 7SJ80. Tablica 7.2 prikazuje parove primarnih i rezervnih releja i iznose struja kratkog spoja.





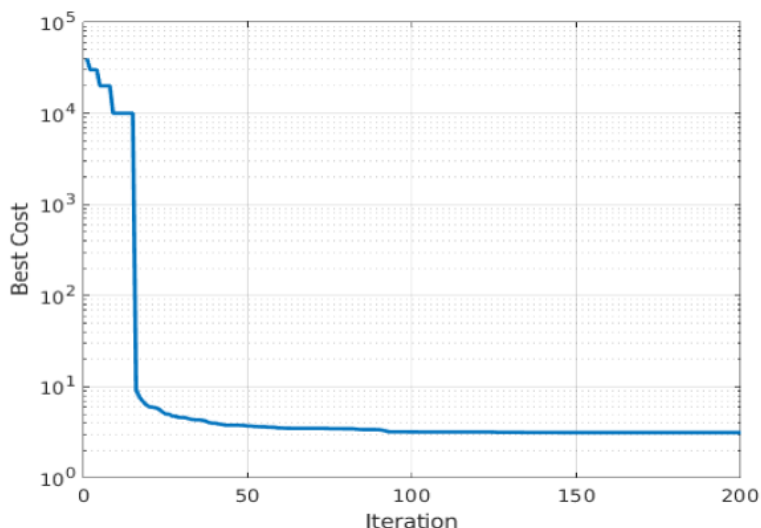
Slika 7.7: Prikaz linearne regresije

Tablica 7.2: Struje kratkog spoja za primarni i rezervni relej

Primarni relej	$I_{f,prim}$	Rezervni relej	$I_{f,rez}$
CB1	1789,19	-	-
RC1	1378,31	CB1	499,14
RC2	924,54	RC1	343,46
RC3	623,51	RC4	162,22
RC4	1602,68	CB2	416,03
CB2	2027,75	-	-

Na slici 7.8 prikazan je kretanje *Best-cost* najboljeg rješenja kroz svaku iteraciju. Iz priloženog se vidi da je nakon otprilike 25.iteracije dosegnut optimum.

Prorade releje su optimizirani parametrima  $I_p$  i TMS. Rezultati provedene optimizacije prikazani su u tablici 7.3, gdje je optimalni trošak, odnosno minimalno vrijeme isklopa  $\min J = \sum_{i=1}^n T_i = 1,0672s$



Slika 7.8: Best-cost kroz svaku iteraciju

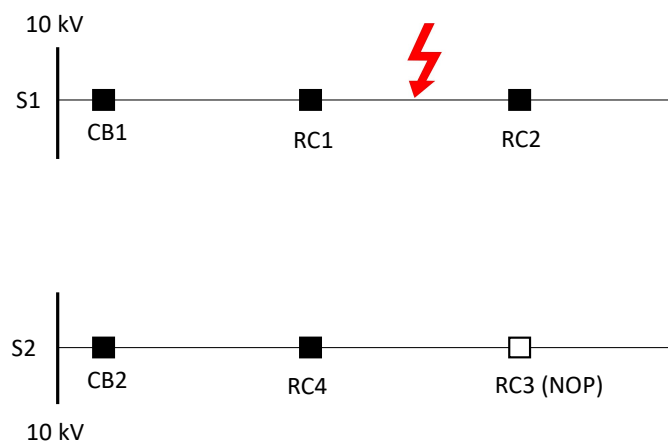
Tablica 7.3: Rezultati optimizacije TMS i PS

Relej	TMS	PS
CB1	0,1127	2,5000
RC1	0,1031	1,5000
RC2	0,1000	2,5000
RC3	-	2,0000
RC4	0,1057	2,5000
CB2	0,1206	1,5000
OF	1,0672	

### 7.3.3 Simulacija kvara

U sljedećem primjeru provesti će se metoda MDAZU ali kod pojave kvara u mreži između RC1 i RC2 kako je prikazano na slici 7.9. Simulirati će se 2p kratki spoj. Prvi korak u MDAZU je detekcija i izolacija kvara. S obzirom iznos i lokaciju struje kvara, relej RC1 vidi kvar i daje nalog za isklop te time izolira kvar. Nakon izolacije kvara pokreće se AORM, gdje je ANN već trenirana za sve slučajeve u mreži i vrlo brzo predlaže rješenje rekonfiguracije mreže, odnosno redosljed uklapanja prekidača.

Rezultat AORM je konfiguracija u kojoj će prvo RC2 isklopiti, a zatim RC3 uklopiti. Matrica novo uklopno stanje prikazano je na tablici 7.4. Oscilografski zapis sa prekidača RC1-RC4 prikazani su na slici 7.10 i slici 7.11 gdje se mogu vidjeti valni oblici struja i napona mjereni na svakom prekidaču. S obzirom na shemu spoja prekidača, napon se mjeri ispred ( $V-RCx-I$ ) i iza



Slika 7.9: Simulacija kvara na mjestu RC1-RC2

prekidača ( $V-RCx-2$ ).

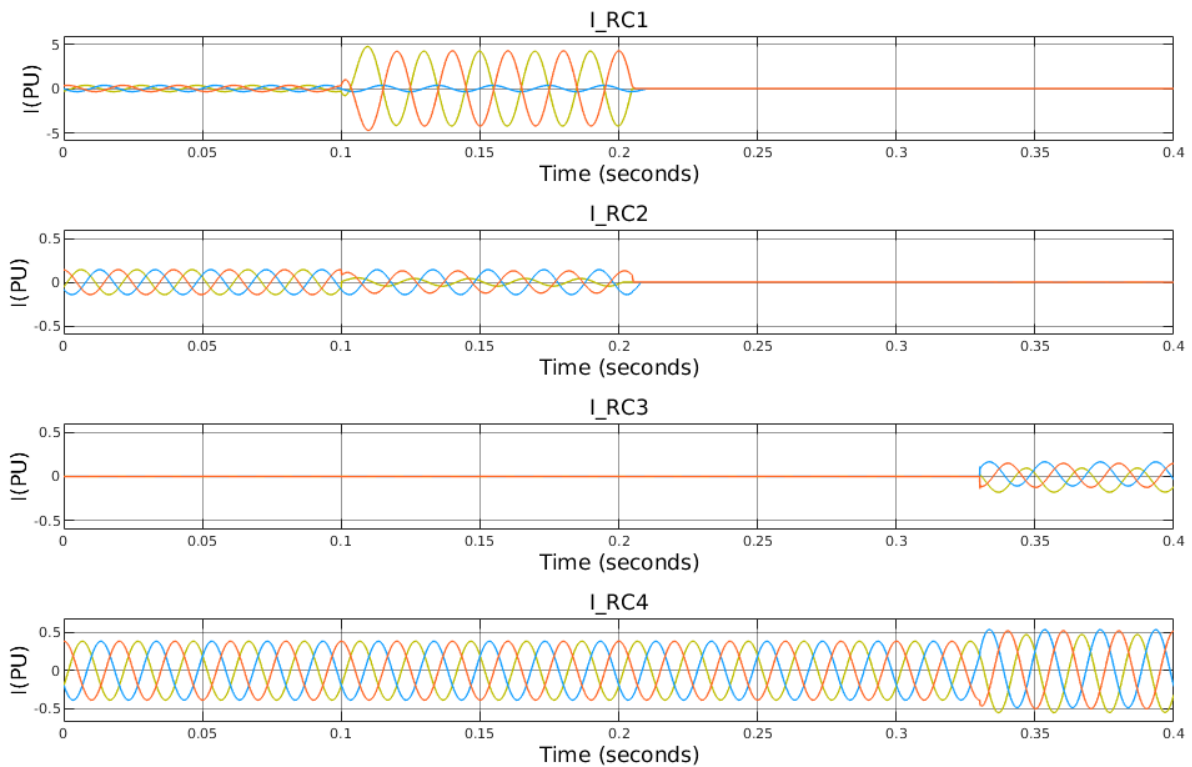
Iz oscilografskog zapisa razvidno je da se radi od 2p kvaru, kojeg su RC1 i RC2 detektirali u trenutku  $t=100\text{ms}$ . Vrijeme pobude i vrijeme isklopa prekidača je oko  $t_1+t_2 = 112\text{ms}$  ( $82\text{ms}+30\text{ms}$ ). S obzirom da je na kvar isklopio RC1, istovremeno RC2 ostaje u beznaponskom stanju (RC3 je otvoren). U tom trenutku pokreću se algoritmi AORM i AOKZ. S obzirom da je rezultat promjena konfiguracije i udešenja zaštite, postavke se primjenjuju na releje i prekidače te je rezultat isklop RC2 i uklop RC3. Na slici 7.10 vidi se da je ukupno vrijeme trajanja algoritma  $t_3+t_4$  je 86 ms, dok je vrijeme trajanja sklopa RC2 i uklopa RC3 je oko  $t_5$  30ms. Ukupno vrijeme od 126ms je vrijeme beznaponske pauze tereta između prekidača RC2 i RC3.

Ukupno trajanje MDAZU algoritma od pojave kvara do konačne rekonfiguracije je oko  $t_{MDAZU}=228\text{ms}$ . Za promatrani slučaj, zbog jednostavnosti modela, za izraz 7.1 pretpostavlja se da je  $t_7=0\text{s}$  (vrijeme razmjene informacija u komunikacijskom sustavu), a  $t_6$  nije razmatrano (vrijeme otklanjanja kvara) iz razloga jer ovisi o operatoru sustava, a ne samom algoritmu.

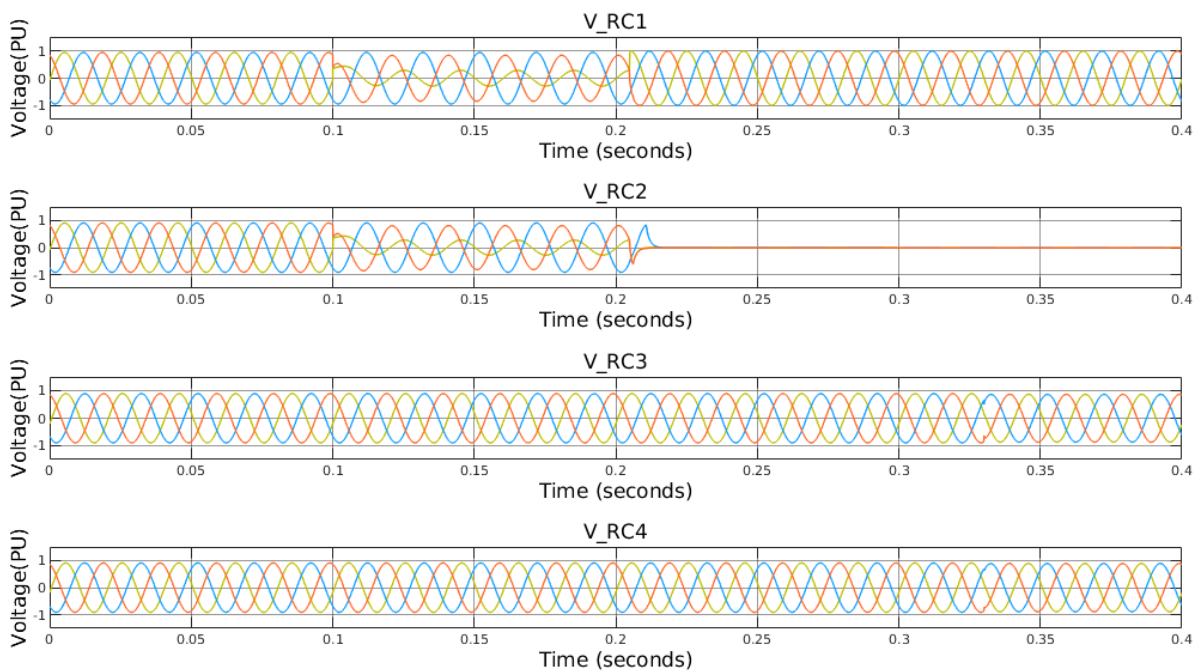
Nakon uklopa RC3 i rekonfiguracije mreže, svi tereti između RC2 i RC3 se sada napajaju iz S2. Dio voda između RC1 i RC2 ostaje izoliran, u beznaponskom stanju, što je i razvidno iz zapisa.

S obzirom da je promijenjeno uklopno stanje mreže, prema MDAZU potrebno je provesti koordinaciju zaštite sukladno novom uklopnom stanju, gdje je su se potrošači sa dijela mreže između RC2 i RC3 prebacili napajanje sa SS1 na SS2, što je dovelo do povećanja iznosa struja kratkog spoja koje vide releji CB2, RC4 i RC3.

Primjenom AOKZ algoritma na novu konfiguraciju mreže dobiveni su novi parametri. Ukupno



Slika 7.10: Oscilografski zapis struja RC1-RC4



Slika 7.11: Oscilografski zapis napona RC1-RC4

vrijeme isklopa je manje zbog nedostupnosti RC1 i RC2 da sudjeluju u koordinaciji zaštite jer je kvar lociran na tom mjestu. Rezultati provedene optimizacije prikazani su u tablici 7.5, gdje je optimalni trošak, odnosno minimalno vrijeme isklopa  $\min J = \sum_{i=1}^n T_i = 0,9141s$ .

**Tablica 7.4:** Matrica uklopnog stanja nakon rekonfiguracije

CB1	RC1	RC2	RC3	RC4	CB2
1	0	0	1	1	1

**Tablica 7.5:** Rezultati optimizacije TMS i PS - nakon rekonfiguracije

Relej	TMS	PS
CB1	0,1252	1,5000
RC1	-	-
RC2	-	-
RC3	0,1070	1,5000
RC4	0,1145	2,5000
CB2	0,1345	3,0000
OF	0,9141	

## 7.4 Zaključak poglavlja

U ovom poglavlju opisana je metoda dinamičke adaptivnosti zaštite i upravljanja, MDAZU. Analizom dostupne literature utvrđeno je da većina FLISR metoda je zasnovana na statičkoj adaptivnosti zaštite i vođenja mreže, gdje su svi parametri predodređeni unaprijed. Primjenom MDAZU moguće je detektirati kvar, izolirati kvar i rekonfigurirati mrežu u optimalno topološko stanje, te uspostaviti optimalnu koordinaciju relejne zaštite za novu topologiju mreže. Metoda se dinamički primjenjuje za sva uklopna stanja promatrane mreže. MDAZU se temelji na dva algoritma obrađenim u prijašnjim poglavljima AORM i AOKZ. Napravljena je simulacija MDAZU na modelu distribucijske mreže. Izračunate su optimalne postavke za normalno uklopno stanje, nakon čega je simuliran kvar na dionici distribucijskog voda, gdje je pokazan puni ciklus rada MDAZU. Korištenjem metode razvijane je napredna samo-obnavljajuća mreža koja ima sposobnost prilagodbe na sva uklopna stanja te predstavlja znanstveni doprinos u predmetnom području istraživanja. U sljedećem poglavlju opisat će se laboratorijski model simulirane mreže kao i rad samo-obnavljajuće mreže HEP ODS Koprivnica u stvarnoj mreži, te će se usporediti rezultati simulacije sa stvarnim parametrima koji se koriste u pogonu mreže.

## **Poglavlje 8**

# **Laboratorijski model - Samoobnavljajuća mreža HEP Koprivnica**

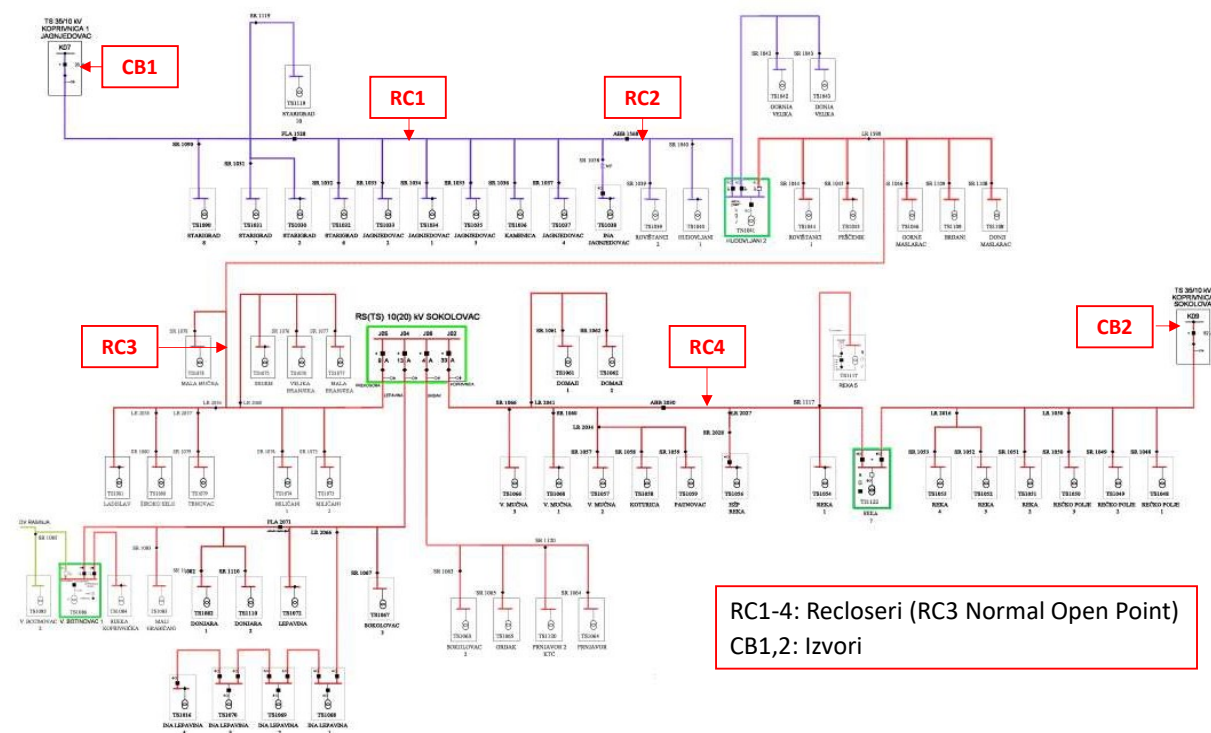
### **8.1 Uvod**

U nastavku rada opisuje se rad stvarne samoobnavljajuće distribucijske mreže u HEP ODS Elektra Koprivnica, koja je napravljena kao dio pilot projekta HEP ODS [55] 112. Mreže je temeljena na ugradnji vakuumskih prekidača (recloser), a komunikacija je realizirana korištenjem komunikacijskog protokola IEC 61850. Napravljen je laboratorijski model napredne mreže za simulaciju rezultata. Isti laboratorijski model iskoristiti će se za verifikaciju modela dinamičke adaptivnosti zaštite distributivnih mreža MDAZU te ispitivanja prilikom puštanja u rad sustava. Rezultati će se usporediti sa simuliranim rezultatima za isti model mreže iz poglavlja 7.

### **8.2 Simulacijski model – mreža HEP ODS Elektre Koprivnica**

TS 35/10(20) kV Koprivnica 1 napaja trećinu potrošnje grada Koprivnice te južnu i zapadnu stranu ruralnog dijela okolice Koprivnice. Vodovi Jagnjedovac i Sokolovac izlaze iz TS 35/10(20) kV Koprivnica 1 te zatvaraju petlju duljine cca 60 km na koju je spojeno oko 5.000 potrošača. Model dijela mreže prikazan je na slici 8.1, a pojednostavljena 1p shema na slici 8.2.

Korištenjem te petlje moguće je dvostrano napajanje iz iste primarne trafostanice. Vodovi se u normalnom pogonu vode kao radijalni. Prilikom pojave kvara na toj petlji proces izolacije

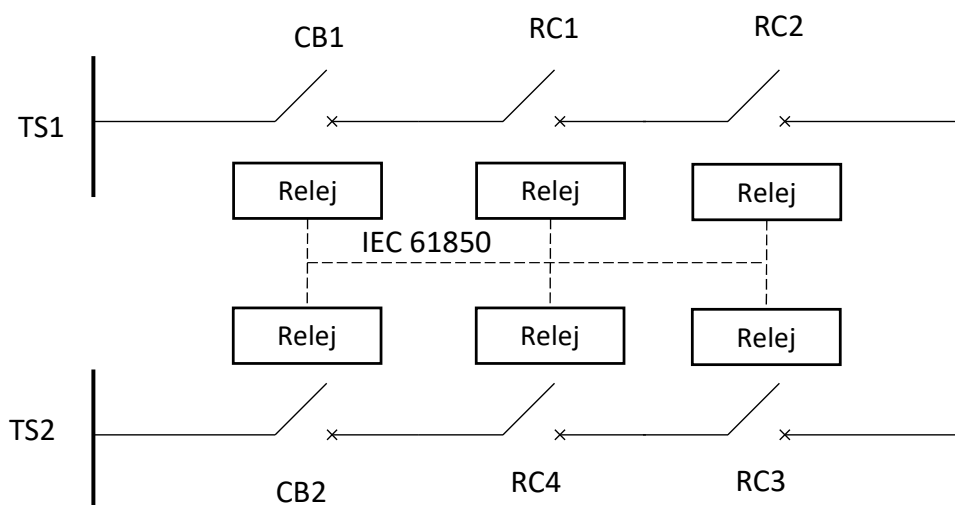


Slika 8.1: Model dijela mreže Elektre Koprivnica i lokacija prekidača u mreži

kvara, rekonfiguracije mreže i uspostave napajanja odvijao se ručno (Model 1 – razina uređaja bez komunikacijske infrastrukture). Proces izolacije kvara i rekonfiguracije mreže je nekad znao trajati i po nekoliko sati.

Cilj implementacije samoobnavljajuće mreže bilo je maksimalno smanjiti broj potrošača zahvaćenih kvarom te maksimalno smanjiti vrijeme prekida na način da kupci koji nisu zahvaćeni kvarom „ne osjete“ prelazak napajanja na drugi izvor (bez prekida). Da bi se to ostvarilo bilo je potrebno ugraditi odgovarajuću primarnu i sekundarnu opremu za automatizaciju mreže te odabrati komunikacijsku tehnologiju koja udovoljava zahtjevima.

HEP ODS postavio je tehnički vrlo zahtjevan projekt na kojemu je bilo potrebno implementirati i uskladiti sustave automatizacije i zaštite, a pri tome koristiti bežičnu komunikaciju. Zahtjevi na tehničko rješenje razmatrani su iz područja energetike i komunikacijske tehnologije. Zahtjevi u smislu energetike bili su uspostava samoobnavljajuće mreže na postojećem vodu Jag-njedovac – Sokolovac na temelju FLISR logike. Sustav mora biti temeljen na decentraliziranom sustavu upravljanja korištenjem bežične komunikacije (Model 1 - Peer-to-Peer model). Bilo je potrebno ugraditi vakuumske prekidače (reclozeri) sa mogućnosti daljinskog upravljanja i međusobne komunikacije (horizontalna i vertikalna komunikacija). Sustav koji koristi prekidače



**Slika 8.2:** Nadomjesna 1p shema dijela mreže elektra Koprivnica – dio koji se automatizira

mora detektirati i izolirati dio voda u kojem je kvar. Zahtjev HEP ODSa bio je da vrijeme isklopa kvara mora biti „trenutno“ (vrijeme djelovanja pomoćnog releja u terminalu polja plus vrijeme djelovanja magnetskog akuatora).

Neposredno nakon izolacije dijela voda zahvaćenog kvarom, sustav mora obnoviti napajanje na dijelovima vodova koji nisu zahvaćeni kvarom te izdati sekvencu automatskog ponovnog uklopa kako bi provjerio da li se radi o prolaznom kvaru. Zahtjev HEP ODS-a bio je da vrijeme uspostave napajanja za dijelove voda koji nisu zahvaćeni kvarom mora biti manje od 300ms. Uređaji relejne zaštite moraju biti adaptivni, tj moraju biti u mogućnosti promijeniti udešenja pojedine zaštitne funkcije ovisno o trenutnoj konfiguraciji mreže.

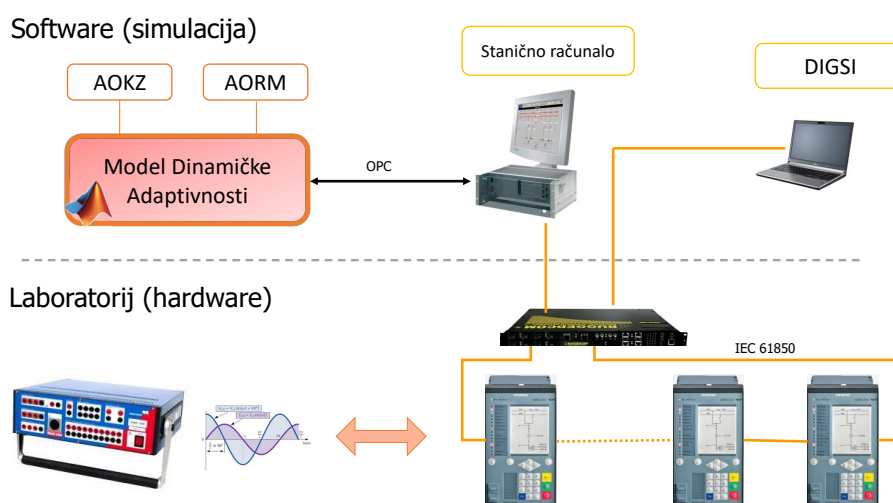
U smislu komunikacijskih tehnologija zahtjevi su bili da se koristi bežična komunikacija u dva smjera. Za horizontalnu komunikaciju između uređaja relejne zaštite (terminali polja) koristi se komunikacijski protokol IEC 61850 kao standard za komunikaciju i razmjenu informacija. Terminali polja međusobno trebaju komunicirati bežičnom komunikacijom te koristiti sigurne IEC 61850 GOOSE poruke za prijenos digitalnih i analognih informacija od uređaja do uređaja. Za vertikalnu komunikaciju sa kontrolnim centrom koristi se komunikacijski protokol IEC 60870-5-104. Komunikacijski sustav za horizontalnu komunikaciju mora imati visoku



pouzdanost (>99%), visoku propusnost (minimalno 1Mb/s), i nisku latenciju (<10 ms) kako bi razmjena GOOSE poruka omogućavala korištenje adaptivne zaštite na adekvatan način.

### 8.3 Laboratorijski model

Prije ispitivanja i puštanja sustava u rad na stvarnoj mreži, potrebno je provesti simulaciju sustava u laboratorijskim uvjetima. U tu svrhu izgrađen je laboratorijski model mreže u vlasništvu Siemens d.d. Zagreb [113] na kojem je bilo moguće simulirati kvarove, i testirati rekonfiguracije mreže za razne scenarije. Laboratorijski model se sastojao od 4 uređaja tip Siemens 7SC80 [114] kondenzatora, prigušnica, otpornika i ostale opreme koja je predstavljala nadzemne vodiče te staničnog računala na kojem su se radili izračuni optimizacije udešenja zaštite i optimalne rekonfiguracije korištenjem MDAZU metode. Blok shema testnog sustava prikazana je na slici 8.3.



**Slika 8.3:** Blok shema laboratorijskog modela

Na laboratorijskom modelu bilo je moguće testirati sustav ali samo sa žičanom komunikacijom koristeći optičke kabele kao vezu između releja. Korišteni releji imaju mogućnost povezivanja u prsten te koriste komunikacijski protokol IEC 61850 za razmjenu GOOSE poruka. Injektiranjem sekundarnih struja simulirali su se stvarni uvjeti u mreži te se simulirali kvarovi. Na slici 8.4 prikazan je korišteni laboratorijski model koji odgovara simuliranoj mreži u poglavlju 7, kao i stvarnoj mreži HEP Koprivnica prikazane na slici 8.2. Simulacija je temeljena na

HIL principu (eng. Hardware in the loop), gdje je dio pravog hardware unutar softverske petlje. Za realizaciju i povezivanje uređaja unutar HIL, korištena su standardna Siemens AG rješenja.



**Slika 8.4:** Laboratorijski model mreže

U sklopu razvoja laboratorijskog modela, napravljena je fizička veza između prekidača (RC1-RC4), te su se izradili upravljači ormari koji će kasnije biti ugrađeni u stvarnoj mreži. Na uređaje relejne zaštite spojio se antenski sustav za bežičnu komunikaciju. Simulirala se prorada prekidača, ali ovaj puta razmjena GOOSE poruka i ostalih signala radila se preko bežične komunikacije.

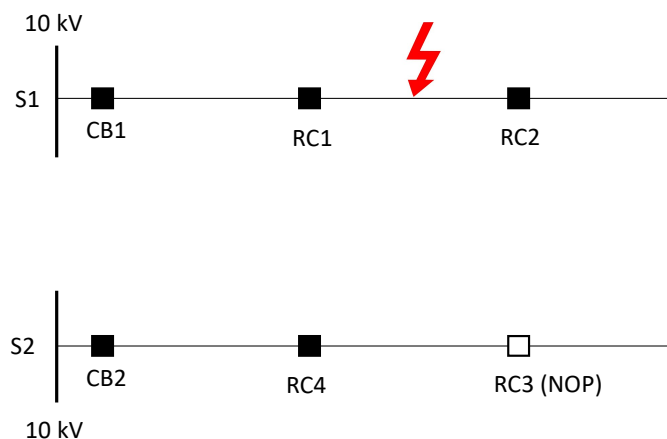
### 8.3.1 Simulacija

Simulacija rada sustava napraviti će se na istom modelu sa istim početnim postavkama kao u poglavlju 7, zatim će se usporediti rezultati. S obzirom da se radi o istom modelu, nije potrebno provoditi dodatna treniranja ANN ili dodana optimiranja korištenjem PSO, već se koriste već postojeći podaci. Cilj ove simulacije je usporedba vremena prorade zaštite, te usporedbe krivulja struja i napona iz oba slučaja.



Slika 8.5: Laboratorijski model mreže

Za potreba ispitivanja u SCADA kontrolnom centru (stanično računalo) postavljeno je računalo na kojem se provodila metoda dinamičke adaptivnosti zaštite i upravljanja MDAZU. Isti algoritam bilo je potrebno povezati sa uređajima relejne zaštite jer u njima se nalazi zapisi udešenja zaštite kao i matrica uklopnog stanja te u slučaju promjene stanja ovdje se inicira nalog za postavljanje novih postavki zaštite i konfiguracije mreže.



Slika 8.6: Simulacija kvara na mjestu RC1-RC2

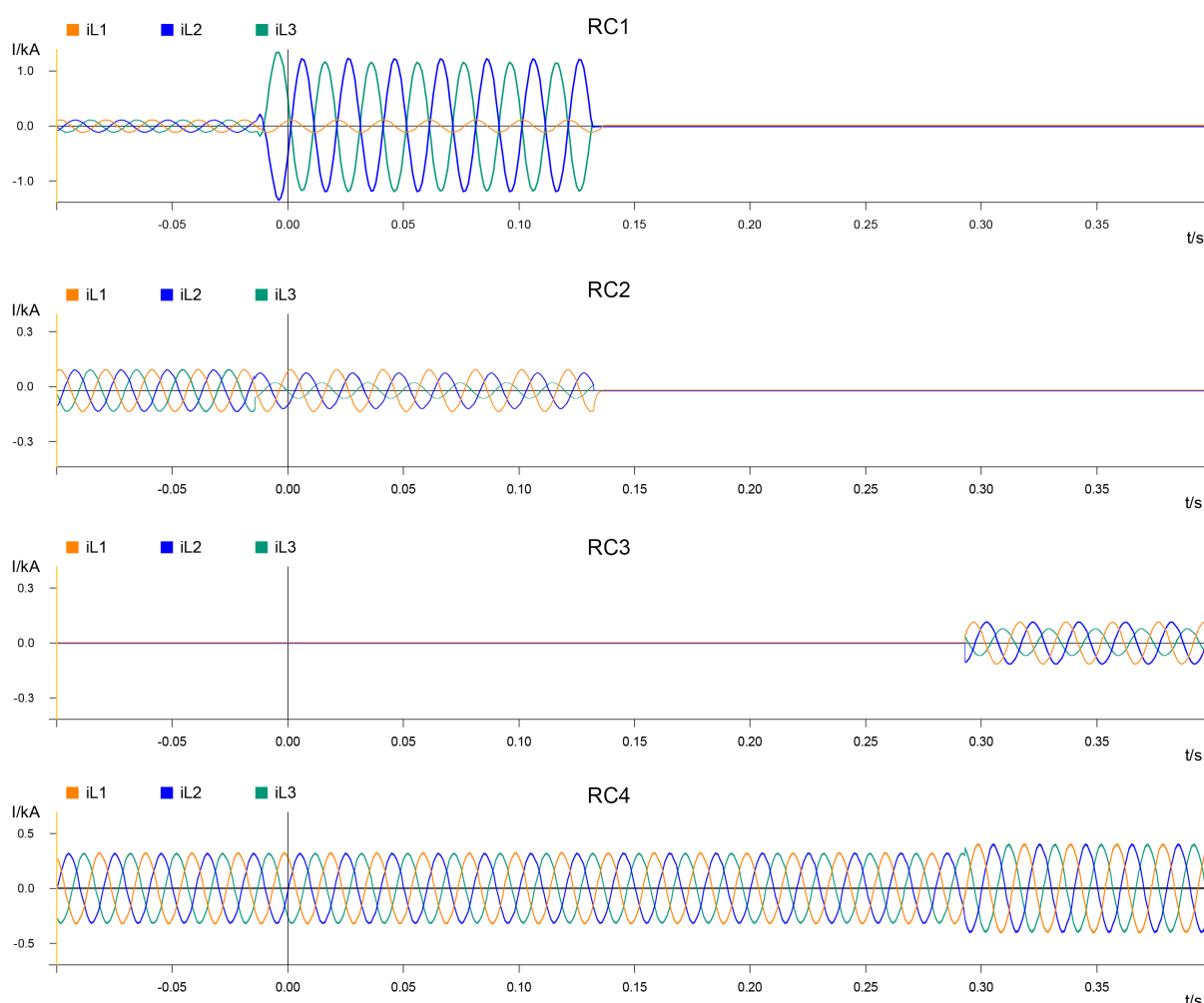
Proces utvrđivanja i izolacije kvara, te uspostave ponovnog napajanja odrađuje se korištenjem metode MDAZU. Automatska uspostava napajanja inicira se u trenutku kada je došlo do isklopa prekidača izvora napajanja. Sustav automatski pronalazi najbližu točku u mreži kao novi izvor napajanja, te kreće u rekonfiguraciju. Nakon otklanjanja kvara koji je uzrokovao rekonfiguraciju mreže, sustav ima mogućnost vratiti se na prethodno utvrđeno normalno stanje

definirano normalnom otvorenom točkom (rasklopno mjesto) koje je odabrao korisnik.

**Tablica 8.1:** Matrica normalnog uklopnog stanja promatranog modela

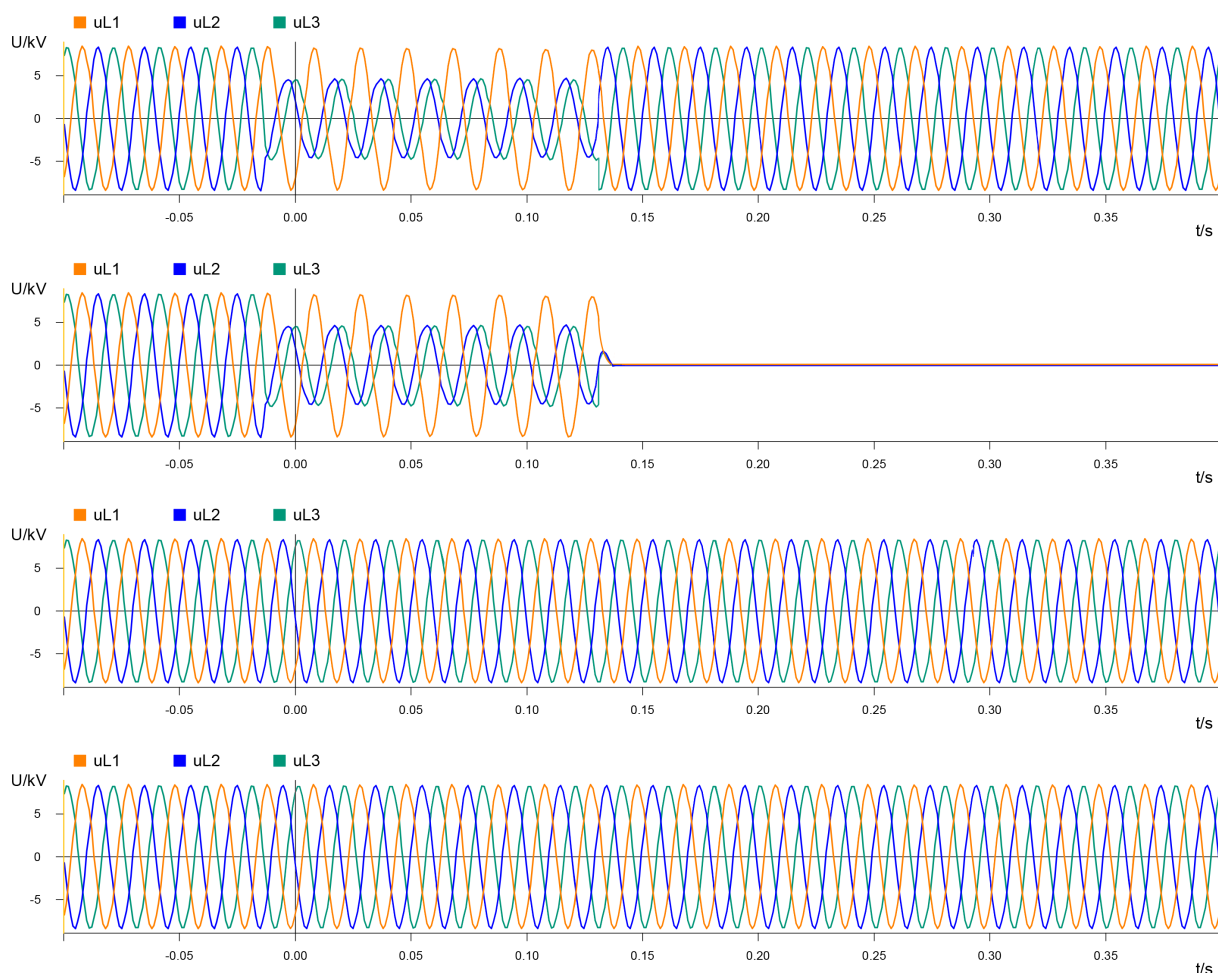
CB1	RC1	RC2	RC3	RC4	CB2
1	1	1	0	1	1

Većina mreža prstenaste strukture u normalnom pogonu vode se kao radijalne koristeći normalno otvorenu točku (NOP eng. – Normal Open Point) odnosno rasklopno mjesto gdje je moguće prebaciti napajanje potrošača sa drugoga voda u slučaju kvara ili potrebe za održavanjem. U slučaju samo-obnavljajuće mreže Koprivnica, normalno uklopno stanje definira se na način da prekidač RC3 je otvoren u normalnom uklopnom stanju. Stoga se potrošači napajaju iz dva voda: VP Jagnjedovac do RC3 i VP Sokolovac do RC3. Matrica normalnog uklopnog stanja za promatrani vod prikazana je u tablici 8.1. U matrici broj 1 označava da je prekidač uklopljen (zatvoren), dok broj 0 označava da je prekidač isklopljen (otvoren).



**Slika 8.7:** Oscilografski zapis struja sa releja RC1-RC4

Simulacijski model predstavlja dio distribucijske mreže koji se modelirao sa 2 sabirnice spojene na glavnu mrežu, priključnim vodovima između sabirnica, 5 tereta, 2 prekidača u primarnim trafostanicama te 4 vakuumska prekidača (reclosrea) raspoređenim među teretima. Releji korišteni u simulaciji su tip Siemens 7SJ80. Model mreže prikazan je na slici 8.6. Modelirana mreža je prstenaste strukture, ali u normalnom pogonu vodi se kao radijalna koristeći NOP odnosno rasklopno mjesto gdje je moguće prebaciti napajanje potrošača sa drugoga voda u slučaju kvara ili potrebe za održavanjem. U naravi primarna trafostanica (oznake *SS1* i *SS2* na slici 8.6 je TS 35/10(20) kV Koprivnica 1 koja napaja trećinu konzuma grada Koprivnice te južnu i zapadnu stranu ruralnog dijela okolice Koprivnice. Vodovi Jagnjedovac i Sokolovac izlaze iz TS 35/10(20) kV Koprivnica 1 te zatvaraju petlju duljine cca 60 km na koju je spojeno oko 5.000 potrošača. Korištenjem te petlje moguće je dvostrano napajanje iz iste primarne trafostanice. Prilikom pojave kvara na toj petlji proces izolacije kvara, rekonfiguracije mreže i uspostave napajanja odvijao se ručno, što je znalo trajati i po nekoliko sati.



**Slika 8.8:** Oscillografski zapis napona sa releja RC1-RC4

Rezultat MDAZU metode primijenjen na laboratorijskom modelu može se promatrati kroz

oscilografski zapis sa releja RC1-RC4 u COMTRADE formatu. Valni oblici struja za sve prekidače prikazani su na slici 8.7, a valni oblici napona na slici 8.8. Iz oscilografskih zapisa sa releja RC1-RC4 razvidno je da se radi od 2p kvaru, kojeg su RC1 i RC2 detektirali u trenutku  $t=0$ ms. RC1 odrađuje selektivno i izolira kvar. Vrijeme detekcija kvara je oko 90ms, a vrijeme isklopa prekidača je oko 40ms. S obzirom da je na kvar isklopio RC1, istovremeno RC2 ostaje u beznaponskom stanju (RC3 je otvoren). U tom trenutku pokreću se algoritmi AORM i AOKZ. S obzirom da je rezultat promjena konfiguracije i udešenja zaštite, postavke se primjenjuju na releje i prekidače te je rezultat isklop RC2 i uklop RC3. Za ovaj slučaj ukupno vrijeme trajanja algoritma je oko 145 ms, što je vrijeme beznaponske pauze između prekidača RC2 i RC3.

Usporedbom oscilografskih zapisa struja i napona iz simulacijskog modela iz 7.10 i 7.11 sa laboratorijskim modelom, može se zaključiti da je MDAZU algoritam odradio praktički jednako za simulirani model kao i laboratorijski model. Kvara je detektiran u ispravnoj dionici voda, također ispravan je način izolacije kvara, te je određen točan prekidač za rekonfiguraciju mreže. Jedina značajnija razlika u dvije simulacije je u ukupnom vremenu rekonfiguracije mreže, koja proizlazi iz snage procesora, te razmjeni informacija u HIL modelu gdje postoji vremensko kašnjenje informacija u odnosu na Matlab model. Zbog sporosti HIL modela, vrijeme rekonfiguracija za laboratorijski model je nešto veće(145ms), dok je u Matlab simulaciji oko 125ms. Usporedbom rezultata može se zaključiti da MDAZU ispravno radi čime je metoda verificirana na laboratorijskom modelu.

## 8.4 Samoobnavljajuća mreža HEP Koprivnica

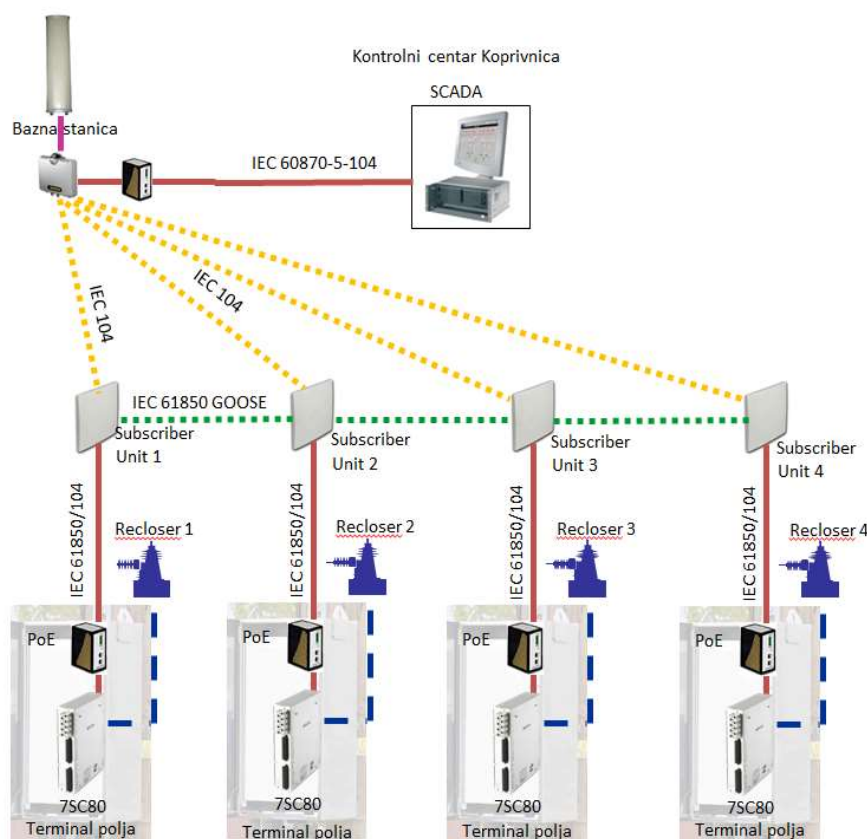
U nastavku će se opisati implementacija pilot projekta samoobnavljajuća mreža HEP Koprivnica na kojem je primijenjena hibridna metoda MDAZU. Za realizaciju kompletnog rješenja koristila se Siemens oprema i software. Za FLISR algoritma koristio se Siemens SICAM FASE koji ima mogućnost samo statičke adaptacije (predefinirani scenariji), a za uređaj relejne zaštite koristio se Siprotec 7SC80 koji ima ugrađenu zaštitnu funkciju hibridne diferencijalne zaštite. Usporediti će se rezultati sa projekta sa rezultatima simulacija i ovoga istraživanja.

### 8.4.1 Tehničko rješenje

Prilikom izrade optimalnog tehničkog rješenja samoobnavljajuće mreže HEP Koprivnica uzeto je u obzir više faktora: trenutno stanje i topologija mreže, dostupnost telekomunikacijskih rješenja na lokaciji te tehnički zahtjevi HEP ODS na samoobnavljajuću mrežu. Blok shema ugra-



đenog sustava nalazi se na slici 8.9.



**Slika 8.9:** Blok shema upravljanja samoobnavljajuće mreže Koprivnica

Kao ključni elementi samo-obnavljajuće mreže Elektre Koprivnica koriste se 4 vakuumska prekidača (recloser), prikazan na slici 8.10. Prekidači su opremljeni naponskim i strujnim mjernim sensorima (ugrađeni u prekidaču), upravljačkim ormarom sa zaštitnim relejem (za funkcije zaštite i upravljanja), sustavom za besprekidno napajanje za mogućnost daljinskog vođenja u slučaju gubitka mrežnog napajanja, te komunikacijskim modemom za daljinsku komunikaciju.

Vakuumski prekidači su predviđeni za vanjsku ugradnju i montirani su na betonske i čelično-rešetkaste stupove. Prekidači kao pogonski mehanizam koriste magnetski aktuator, pokretan energijom kondenzatora, bez stanja čekanja ili izgubljene energije ako aktuator ne radi. Predviđeni su za brzi automatski ponovni uklop (APU) radnog ciklusa O - 0.2s - CO -2s - CO - 2s - CO (-30s - CO)-lockout [115].

Upravljački ormar ugrađen je ispod prekidača u podnožju istog stupa. Glavni elementi ormara su terminal polja, jedinica za napajanje, komunikacijska oprema. Upravljački ormar je prikazan na slici 8.10. Terminal polja 7SC80 je sa integriranim zaštitnim funkcijama (ANSI 50/51, 50BF, 46, 49, 74TC, 37, 51c, 86, 79, 87L), mogućnosti definiranja interne PLC logike (CFC), te ima mogućnost istovremenog rada na dva komunikacijska protokola: IEC 61850 za



**Slika 8.10:** Vakuumski prekidač i upravljački ormar

horizontalnu komunikaciju i IEC 60870-5-104 za vertikalnu komunikaciju. Jedinica za napajanje je snage 50W i sastoji se baterijskog UPS sustava (12Ah) koji podržava rad prekidača u slučaju gubitka glavnog napajanja sa dalekovoda [115].

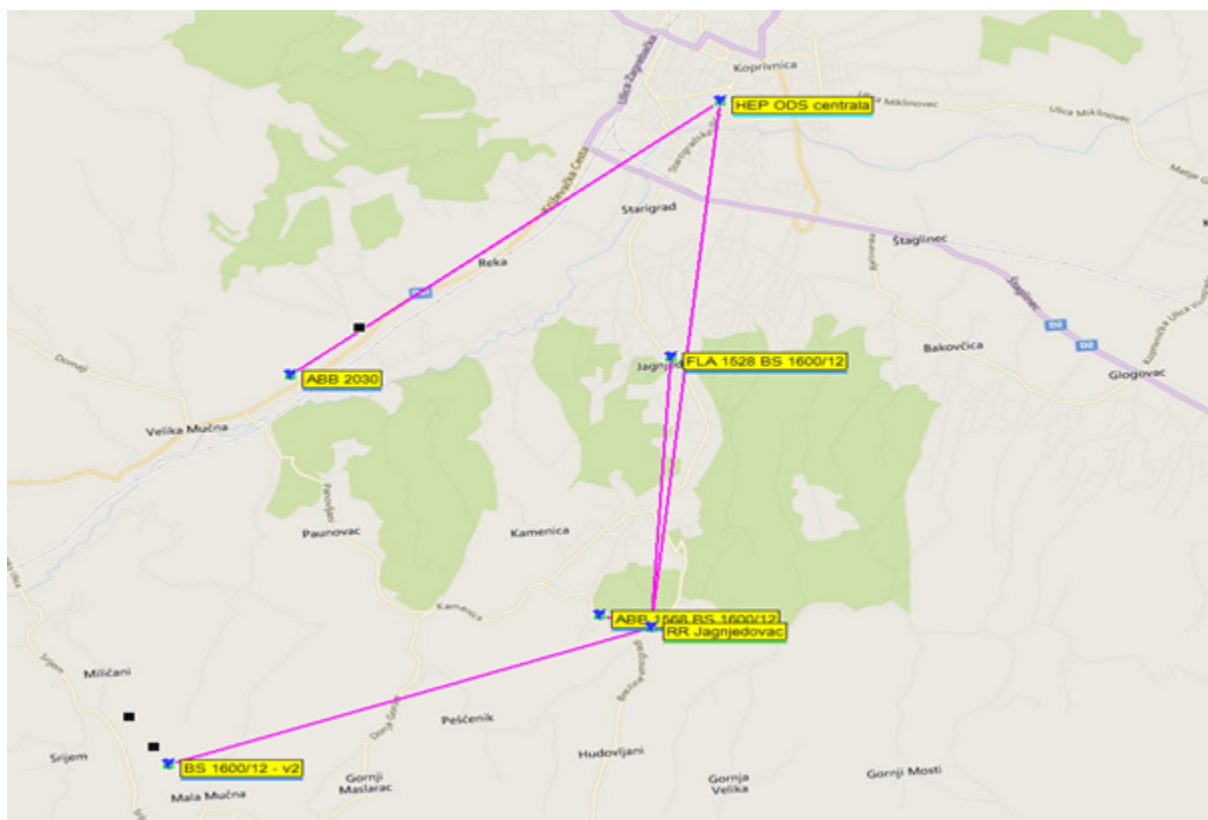
#### **8.4.2 Komunikacijska oprema**

Zbog specifičnih zahtjeva na propusnost i brzinu komunikacije, te zahtjevnu konfiguraciju terena korištena je mikrovalna radijska mreža izvedena u konfiguraciji point-to-point i point-to-multipoint. Radijski sustav opremljen je s 10/100/1000 BaseT sučeljem. Fleksibilna topologija sustava omogućuje jednostavnu i učinkovitu nadogradnju radijske mreže u point-to-point i point-to-multipoint načinu rada. Kod proračuna raspoloživosti i zalihosti radijskih veza, radijski i antenski sustavi odabrani su tako da omogućuju visoku raspoloživost i pouzdanost radijske veze. Bazne antene su montirane na lokacijama Jagnjedovac i HEP ODS Koprivnica, a pretplatničke stanice na stupu uz svaki prekidač. Shema komunikacijskog sustava vezanog u konfiguraciju terena nalazi se na slici 8.11.

#### **8.4.3 IEC 61850**

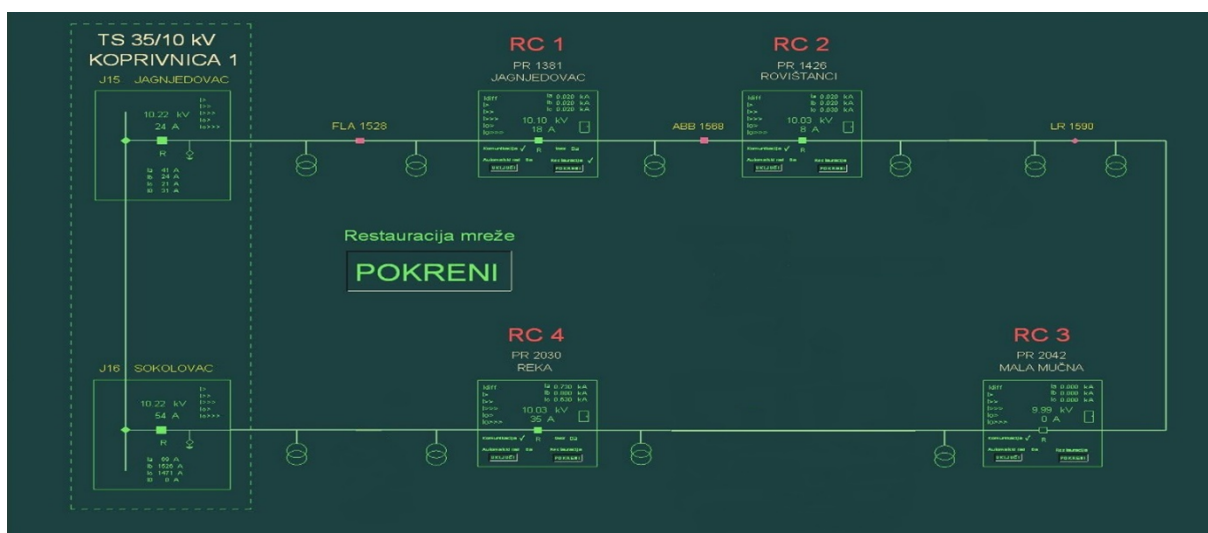
Iako je IEC 61850 primarno zamišljen kao unutar stanični protokol, zbog sve veće primjene u automatizaciji po dubini mreže dovelo je do razvoja standarda u smislu komunikacije izvan





Slika 8.11: Shema komunikacijskog sustava

stanice [116]. U ovom slučaju GOOSE poruke su dizajnirane da se mapiraju na Ethernet Layer2, što omogućava porukama da se šalju preko WAN na druge udaljene objekte. Kako je GOOSE vrlo zahtjevan po pitanju brzine i propusnosti, potrebno je optimirati broj poslanih poruka među uređajima. Preko GOOSE poruka prenose se digitalni ali i analogni podaci potrebni za potpunu funkcionalnost samoobnavljajuće mreže.



Slika 8.12: SCADA aplikacija u centru upravljanja

#### 8.4.4 FLISR

Proces detektiranja i izolacije kvara, te uspostave ponovnog napajanja (eng. Fault Location, Isolation and Service Restoration - FLISR) odrađuje se automatiziranim predefinicijama sekvenca. Automatska uspostava napajanja inicira se u trenutku kada je došlo do isklopa prekidača izvora napajanja. Sustav automatski pronalazi najbližu točku u mreži kao novi izvor napajanja, te kreće u rekonfiguraciju mreže. Nakon otklanjanja kvara koji je uzrokovao rekonfiguraciju mreže, sustav ima mogućnost automatski se vratiti na prethodno utvrđeno normalno stanje definirano normalnom otvorenom točkom (rasklopno mjesto) koje je odabrao korisnik.

#### 8.4.5 Adaptivna zaštita

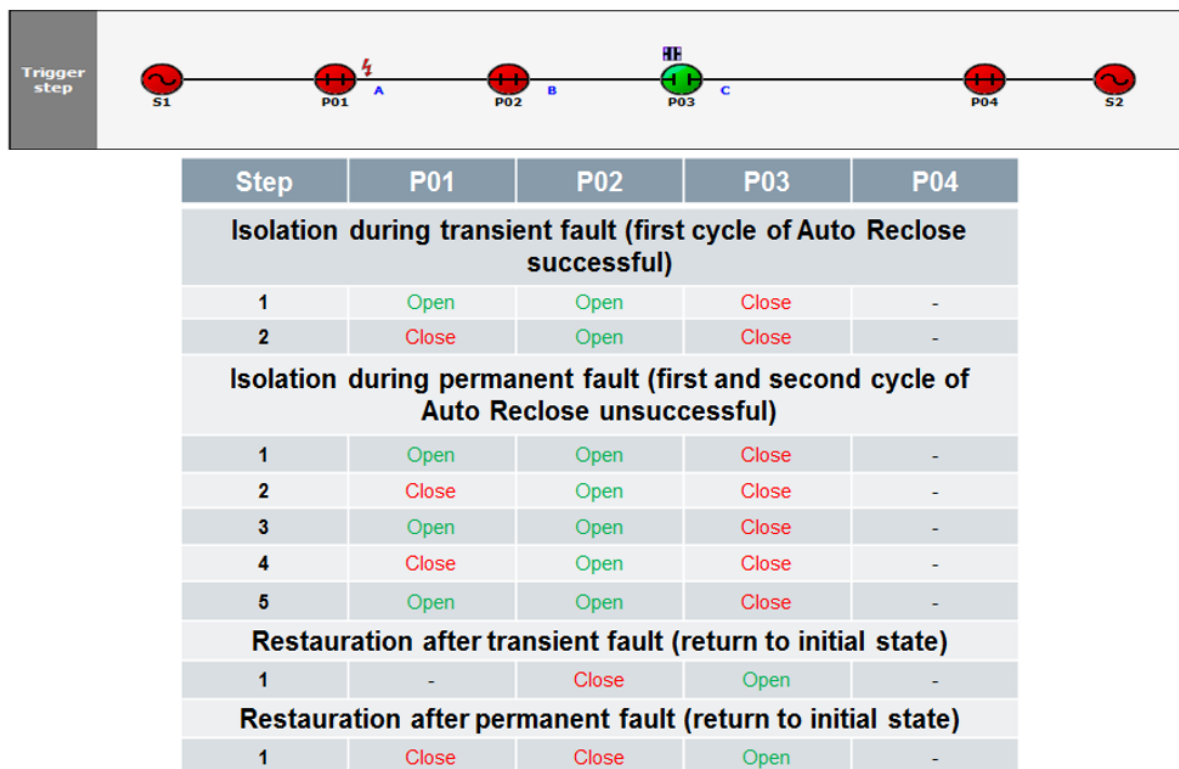
Sustav upravljanja samoobnavljajućom mrežom Elektra Koprivnica je decentralizirani sustav upravljanja, temeljen na komunikacijskom protokolu IEC61850 u bežičnoj komunikaciji. Zaštita mreže od kvarova realizirana je terminalima polja ugrađenim u upravljačke ormariće vakuumskih prekidača. Relejna zaštita ima dva osnovna moda rada: s komunikacijom i bez komunikacije. Nevezano na prisutnost komunikacijskog sustava, zaštita mora biti aktivna, koordinirana i selektivna.

Analizom mogućih pogonskih stanja mreže određuje se broj mogućih uklopnih stanja i automatiziranih sekvenci, ovisno o dijelu mreže u kojem je nastao kvar. Izradom matrice uklopnih stanja za svaku sekvencu i programiranjem PLC logike terminala (CFC), ostvaruju se funkcije samoobnavljajuće mreže slika 8.13.

Za utvrđivanje lokacije i izolaciju kvarova koristi se dvije razine zaštite:

1. Kao primarna zaštita koristi se hibridna metoda diferencijalne zaštite (eng. Jump Differential - *jDiff*) implementirana kao CFC zaštitna funkcija programibilne logike unutar terminalima polja 7SC80, koja funkcionira na principu mjerenja iznosa i smjera struja, te na temelju toga utvrđuje lokaciju kvara na segmentu voda. Određivanje lokacije kvara nije temeljno na metodi pokušaja i pogreške (prozivanje svakog reclosera), već detektira kvar između reclosera u nekoliko milisekundi (ms). To znači da sustav može izolirati i vratiti napajanja preko normalno otvorene točke u svega nekoliko milisekundi (<300ms).
2. U slučaju nedostupnosti komunikacijske infrastrukture, tada se kvar otklanja optimalnom koordinacijom releja klasičnim vremenskim stupnjevanjem

Primjenom ovakve adaptivne zaštite u dvije razine postiže se najkraće vrijeme isklopa te će najmanji broj korisnika mreže biti zahvaćen kvarom.



Slika 8.13: Matrica uklopnih stanja za pojedinu sekvencu

Kod odabira postavki releja koristila su se dva glavna uvjeta: prvi uvjet je da relej treba odraditi za kvarove u njegovoj zoni, a drugi uvjet je da relej ne smije odraditi za kvarove izvan zone, osim u slučaju prorade kao rezervna zaštita. Da bi se primarna i rezervna zaštita mogle koordinirati potrebno je preko isklonpe karakteristike podesiti vremensko zatezanje rezervnog releja da omogući primarnom releju da prvi otkloni kvar. Za svaku od predloženih topologija samoobnavljajuće mreže (matrica uklopnih stanja), rađen je proračun udešenja zaštite za svaki terminal. Pokazalo se da je potrebno mijenjati udešenja zaštite ovisno o stanju mreže, tj. da zaštita mora biti adaptivna kako bi samoobnavljajuća mreža ispravno radila (statička adaptivna zaštita).

Releji su podešeni da adaptiraju svoje postavke ovisno o stanju mreže:

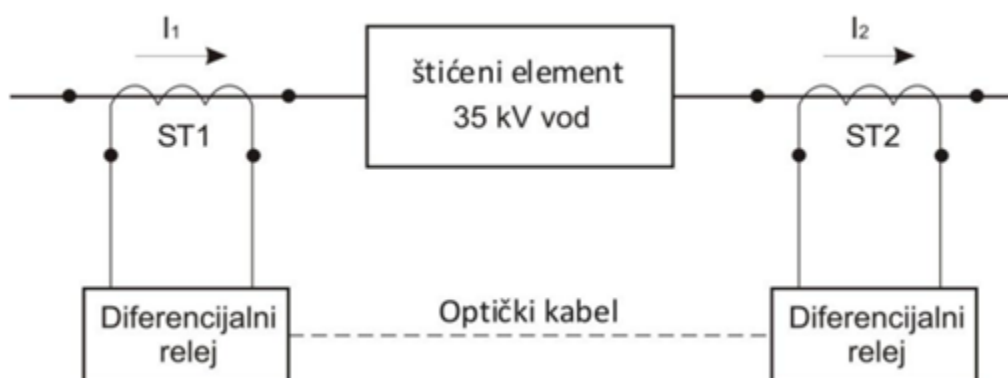
- Gubitak izvora
- Rekonfiguracija (povratak na početno stanje)
- Prolazni kvar (prvi ciklus APU uspješan)
- Trajni kvar (prvi i drugi ciklus APU neuspješan)

Nakon podešavanja svih releja, isti su ispitani sa sekundarnim vrijednostima u laboratorijskim uvjetima, a na posljetku su odrađena i primarna ispitivanja zaštite u mreži Elektra Koprivnica. Ispitivanja su pokazala da je zaštita selektivno postavljena za sva uklopna stanja samoob-

navljajuće mreže.

### 8.4.6 Hibridna diferencijalna zaštita jDiff

Klasična diferencijalna zaštita primjenjuje se već dugi niz godina na više elemenata elektroenergetskog sistema, kao što su vodovi, sabirnice, generatori i transformatori. Opća blok shema uzdužne diferencijalne zaštite voda prikazana je na slici 8.14 [117].



Slika 8.14: Shema uzdužne diferencijalne zaštite

Ova zaštita štiti od kvarova unutar štíćene zone dok na kvarove izvan te zone ne smije reagirati. Štićena zona diferencijalne zaštite određena je položajem strujnih transformatora ST1 i ST2, u ovom slučaju 35 kV vod, koji mjere struje na oba kraja štíćenog elementa. Diferencijalna ili radna struja releja (eng. operating current, differential current)  $I_{diff}$  računa se prema formuli:

$$I_{diff} = |I_1'' - I_2''| \quad (8.1)$$

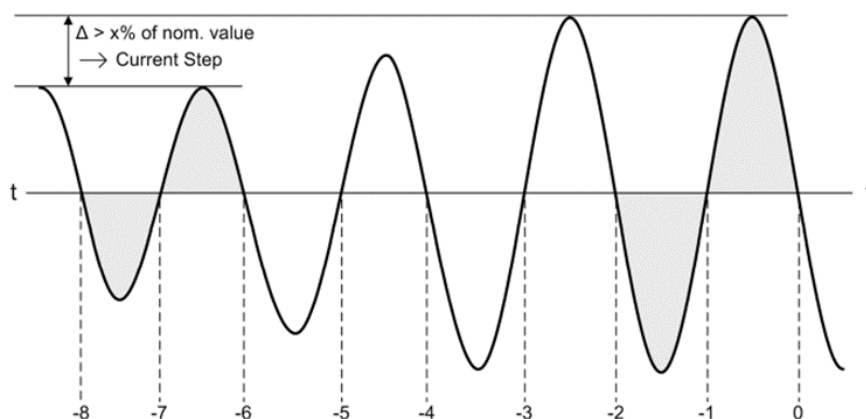
gdje su  $I_1''$  i  $I_2''$  struje mjerene strujnim mjernim transformatorima ST1 i ST2. U idealnom slučaju, kada su karakteristike strujnih transformatora ST1 i ST2 jednake, prilikom normalnog radnog stanja štíćenog elementa ili kvara izvan štíćene zone, struje na oba kraja su iste te je diferencijalna struja releja jednaka nuli. Ako se pojavi kvar između strujnih transformatora ST1 i ST2, tj na štíćenom vodu, struje  $I_1''$  i  $I_2''$  su različite i javlja se značajna diferencijalna struja koja izaziva proradu releja.

Problem kod integracije i korištenja diferencijalne zaštite u distributivnu mrežu je komunikacijska infrastruktura potrebna za realizaciju. Komunikacijska infrastruktura između dva releja zahtjeva visoku propusnost, visoku brzinu i latenciju, zbog razmjene velike količine podatka

[118]. Iz ovog razloga najčešće se koristi optički kabel za povezivanje dva releja i uspostavu komunikacije. Zbog visokih zahtjeva na propusnost, visoku brzinu i latenciju korištenje bežičnih komunikacijskih sustava nije moguće. U ovim uvjetima trošak implementacije klasične diferencijalne zaštite je jako veliki.

U ovom radu predstavlja se napredna funkcija hibridne diferencijalne zaštite *jDiff* za detekciju kvarova u mreži, koja može funkcionirati preko žičene ali i preko bežične komunikacijske infrastrukture. Zbog jednostavnosti primijene hibridne metode moguće je da više uređaja komunicira između sebe te na taj način svaki uređaj štiti dvije zone. Funkcija *jDiff* razvijena je u suradnji sa proizvođačem Siemens kao pilot projekt u sklopu razvoja proizvoda zaštitni relej tip 7SC80 [55].

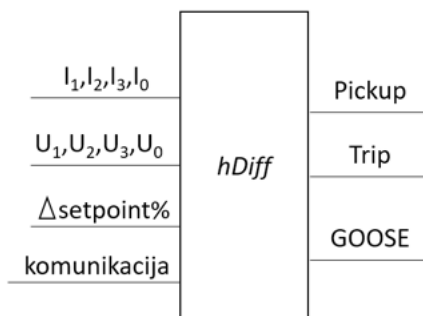
U odnosu na tradicionalnu diferencijalnu zaštitu koja zahtjeva usporedbu struja u stvarnom vremenu za obje štice zone, hibridna diferencijalna zaštita *jDiff* pretvara promjene veličine faznih struja u logičke signale koji se nazivaju "Pozitivni skok" i "Negativni skok" te na taj način smanjuje veličinu podatkovnih koje je potrebno prenesti kroz komunikacijski sustav. Ti se signali prenose komunikacijskom mrežom kao binarni signali do svih uređaja (veličina paketa je nekoliko Bajtova). Funkcija *jDiff* radi na principu mjerenja iznosa i smjera struja, te na temelju toga utvrđuje lokaciju kvara na segmentu voda. Uspoređuje se iznos mjerene struje u području polu periode sa područjem od 3 periode prije, kako je prikazano na slici 8.15. Ukoliko je razlika struja veća od prethodnog definiranog postotnog praga  $\Delta_{set}$ , uređaj generira pozitivan ili negativan skok unutar pola periode, te određuje tip kvara (zemljospoj ili međufazni kvar).



**Slika 8.15:** Uspoređivanje iznosa struja unutar zadnja 3 ciklusa

Određivanje lokacije kvara nije temeljno na metodi pokušaja i pogreške (prozivanje svakog reclosera), već detektira kvar između reclosera u nekoliko milisekundi (ms). Izvršenje funkcije odvija se u 3 faze. U prvoj fazi detektiraju se pozitivni i negativni skokovi struje unutar zadnje 3 periode mjerenja, te se određuje tip kvara – zemljospoj ili međufazni kvar. Ako je izmjereni

skok veći u trećoj periodi od onog u nultoj za iznos podešenja  $jDiff$ , zaštita će putem GOOSE poruka javiti ostalim relejima u tom dijelu mreže da je detektirala kvar (bez isklopa). U drugoj fazi skokovi se zatim uspoređuju sa mjerenjima iz ostalih uređaja duž voda. U trećoj fazi radi se usporedba vrijednosti i smjera kako bi se točno utvrdilo na kojoj lokaciji je kvar (između koja dva prekidača). Za rad  $jDiff$ , potrebne su dvije postavke a to su Pozitivni skok i Negativni skok, koje tipično postavke na 15-20%.



**Slika 8.16:** blok dijagram  $jDiff$

Funkcija  $jDiff$  se može napisati kao:

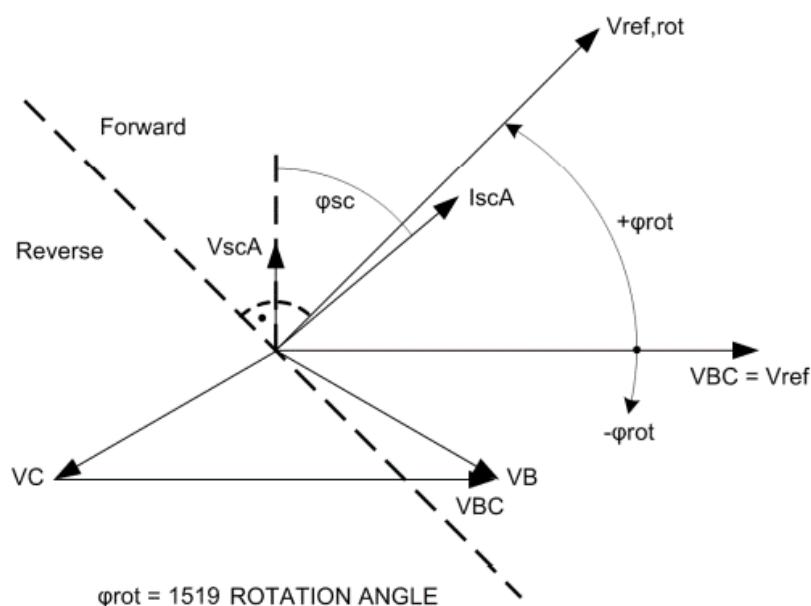
$$jDiff = k_{kom} \times \frac{I_{\mu 0}}{I_{\mu 3}} \quad (8.2)$$

$$\Delta set \% = \frac{I_{\mu 0}}{I_{\mu 3}} \quad (8.3)$$

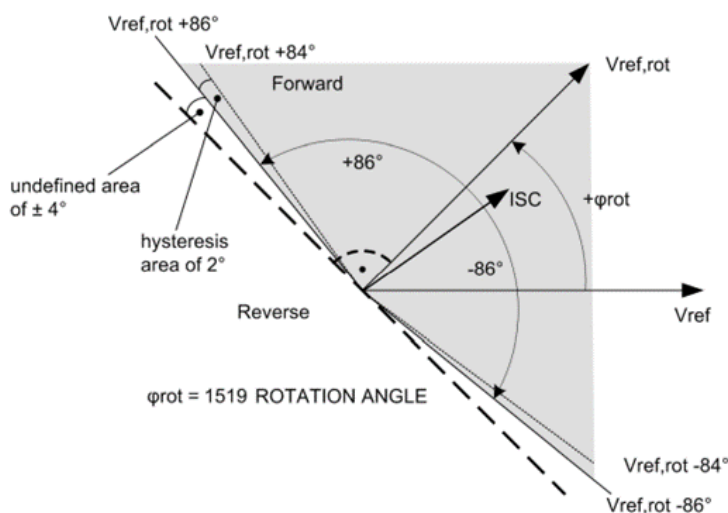
gdje je  $k_{kom}$  faktor dostupnosti komunikacije [0,1],  $I_{\mu 0}$  je iznos struje u trenutku  $t=0$ ,  $I_{\mu 3}$  je iznos struje u trenutku 3 periode prije  $t=0$ ,  $\Delta set \%$  je setpoint za pobudu  $jDiff$

Funkcija  $jDiff$  ima mogućnost detektirati smjer iz kojeg dolazi kvar na temelju kuta između struje kvara i referentnog napona. Kako bi se zadovoljili različiti uvjeti u mreži, referentni napon može biti zarotiran za kut  $\varphi_{rot}$ . Na ovaj način vektor rotiranog napona se može precizno podesiti prema vektoru struje kvara kako bi se dobio najbolji rezultat kod određivanja smjera kvara. Na slici 8.17 prikazan je odnos usmjerenog člana na temelju 1f zemljospoja u fazi A. Struja kvara  $I_{scA}$  prati napon kvara  $V_{scA}$  odmaknut za kut  $\varphi_{sc}$ . Referentni napon, u ovom slučaju  $V_{bc}$ , za usmjeren član faza A, je zarotiran za kut  $\varphi_{rot}$ , u pozitivnom smjeru, u ovom slučaju za  $+45^\circ$ .

Rotirani referentni napon definira područje „naprijed“ i područje „nazad“, kako je prikazano na slici 8.18. Područje „naprijed“ je u rasponu od  $\pm 86^\circ$  oko rotiranog referentnog napona  $V_{ref,rot}$ . Ako je vektor struje kvara u tom području,  $jDiff$  detektira smjer kao „naprijed“. Na isti način zrcaljenjem,  $jDiff$  detektira smjer „nazad“. U međuprostoru smjer ostaje nedefiniran.



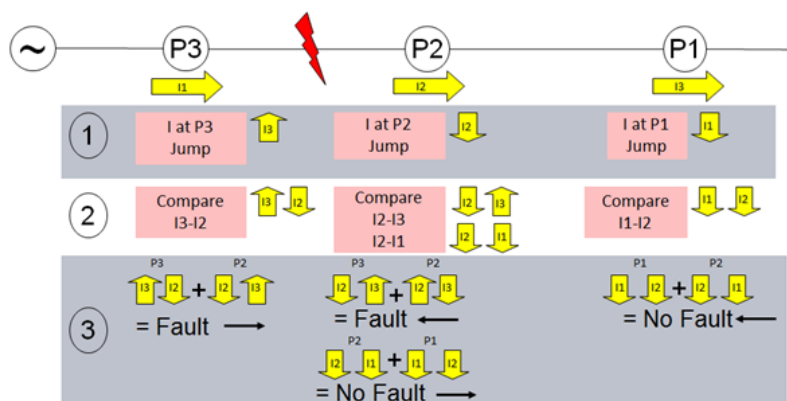
Slika 8.17: Rotacija referentnog napona, usmjerenog člana u jednoj fazi



Slika 8.18: Područje „naprijed“ kod usmjerenog elementa

Na slici 8.19 prikazan je primjer rada funkcije  $jDiff$  na radijalnomvodu kada je kvar nastao na dijelu voda između uređaja  $P2$  i  $P3$ . Zbog struja kvara  $P1$  i  $P2$  će generirati signal Pozitivni skok. Uređaj  $P3$  će detektirati trenutni pad u iznosu struje i generirati signal Negativni skok. Diferencijalna logika skoka analizira vlastite signale, kao i informacije koje dolaze sa drugog kraja voda. Funkcija je u stanju pobude (eng. Pickup) kada uređaj detektira razliku struja kao Pozitivni skok i kroz informaciju Negativni skok koju dobije preko GOOSE poruka sa susjednih uređaja. U primjeru sa slike 8.19, uređaj  $P1$  neće poslati pickup signal zato jer ima vlastiti Pozitivni skok i ima Pozitivni skok preko GOOSE poruke sa uređaja  $P2$ .

Uređaj  $P2$  ima vlastiti Pozitivni skok i signal Negativni skok koji dolazi sa  $P3$ . To će za  $P2$  značiti da aktivira pickup i odmah prosljedi signal u  $P3$ . Uređaj  $P3$  će također detektirati vlastiti

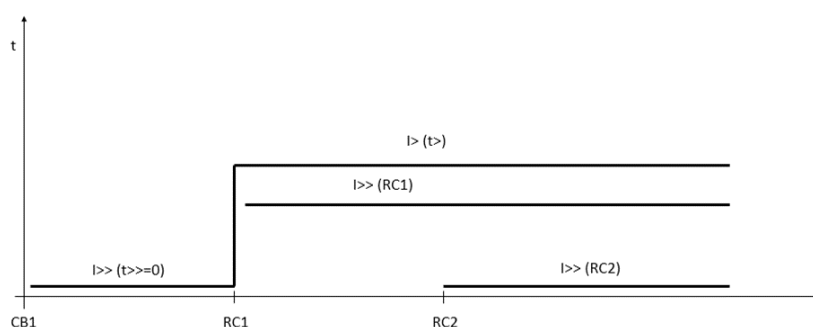


Slika 8.19: Primjer rada *jDiff*

Negativni skok i Pozitivni skok koji će dobiti sa *P2*. *P3* će odgovoriti *P2* sa pickup signalom i tako potvrditi da se kvar nalazi u tom dijelu voda. Kada *P2* primi taj signal, izdati će nalog za isklon *P3* te time izolirati kvar. Ovim postupkom osigurava se da će hibridna diferencijalna zaštita *jDiff* dati nalog za isklon samo za stvarne kvarove, a ne za nagle promjene tereta ili promjene u topologiji mreže.



Slika 8.20: Koordinacija vremena isklopa sa *jDiff* (komunikacija aktivna)



Slika 8.21: Koordinacija vremena isklopa kada je *jDiff* blokiran

Za ispravan rad *jDiff* potrebno je koristiti adekvatnu komunikacijsku infrastrukturu temeljenu na protokolu IEC 61850 koji podržava razmjenu mjerenja u stvaranom vremenu putem GOOSE poruka između releja. U slučaju gubitka komunikacije, terminali polja automatski blokiraju funkciju *jDiff* i prelaze na „normalni“ način rada, tj. kao samostalni prekidač u mreži. Selektivnost i koordinacija zaštite postiže se vremenskim zatezanjem svakog od releja.



Brzina algoritma  $jDiff$  ovisi o brzini komunikacijskog sustava i može se prikazati kao:

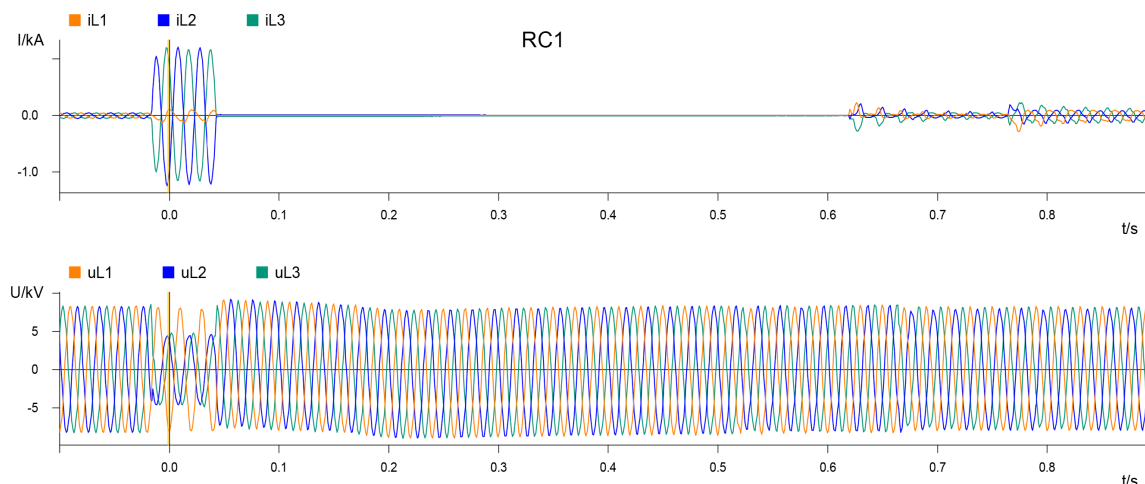
$$T_{trip} = (T_{JD} + T_{C1} + T_L + T_{C2}) + T_D \quad (8.4)$$

Gdje je:  $T_{trip}$  vrijeme isklopa  $jDiff$ ,  $T_{JD}$  vrijeme detekcije pozitivnog ili negativnog skoka,  $T_{C1}$  vrijeme latencije komunikacijskog sustava kod prve razmjene podataka,  $T_L$  vrijeme odrade logike,  $T_{C2}$  vrijeme latencije komunikacijskog sustava kod druge razmjene podataka,  $T_D$  dodatna vremenska odgoda (ako potrebna).

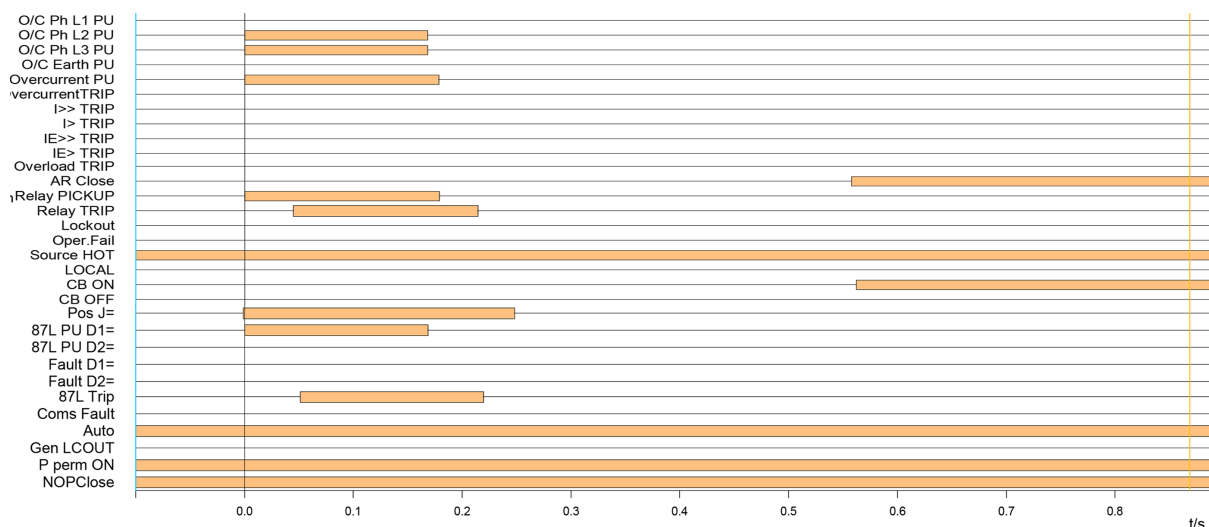
Korištenjem  $jDiff$  funkcije, dok je komunikacijski sustav aktivan, svi kvarovi u petlji se trenutno uklanjaju, odnosno vrijeme isklopa je trenutno ( $T_{trip} \sim 0s$ ), kako je prikazano na slici 8.20. U slučaju nedostupnosti komunikacije,  $jDiff$  će biti blokiran i releji će se prilagoditi te „prebaciti na lokalni način rada“ bez komunikacije, odnosno na klasičnu vremenski uvjetovanu zaštitu, koja također mora biti selektivna za trenutnu konfiguraciju mreže, ali vrijeme isključenja više nije trenutno, nego je vremenski stupnjevano kao što je prikazano na slici 8.21. U nastavku će se prikazati stvarni rezultati ispitivanja i prorade  $jDiff$  na kvar.

## 8.5 Ispitivanje i puštanje u rad

Prije montaže na terenu cijeli sustav ispitan je lokalno i sa sekundarnim vrijednostima u laboratorijskim uvjetima, ali u uvjetima bežične komunikacije. Ispitivanja su pokazala da sustav postiže zadana vremena isklopa i izolacije <300ms. Sljedeći korak bila je instalacija kompletne opreme, ispitivanje i puštanje u rad sustava na stvarnoj mreži.



Slika 8.22: Valni oblik struje i napona kod prorade  $jDiff$



Slika 8.23: Sekvence releja kod pojave kvara

PQube Information		Event	
Location:	Durdevac	Event Type:	Interruption
PQube ID:	HEP Koprivnica	Event Duration in Seconds:	0.147
Note 1:	(note not set)	Trigger Date:	2017/09/14
Note 2:	(note not set)	Trigger Day of Week:	Thursday
PQube Serial Number:	P006102	Trigger Time:	T 10:51:21.750
Model Number:	PQube 02-0000	Trigger Channel:	L3-N
Firmware Version:	2.0.1 #2778	Trigger Threshold:	10.0% of nominal

Slika 8.24: Zapis iz uređaja za kvalitetu električne energije

Nakon završene montaže vakuumskih prekidača, svaki od prekidača ispitan je sekundarno. Nakon montaže komunikacijske infrastrukture, cijeli sustav ispitan je sa primarnim ispitivanjima, kako bi se utvrdilo vrijeme reakcije kod „stvarnog“ kvara. Simulirao se kvar na svakoj dionici između prekidača, a uređajem za mjerenje kvalitete energije snimano je vrijeme prekida tj. beznaponska pauza. Rezultati ispitivanja su za kvar između RC1 i RC2 uz aktivni *jDiff* i aktivni komunikacijski protokol IEC 61850 prikazani su na slici 8.22 u COMTRADE formatu. Iz zapisa je razvidno vrijeme detekcije kvara oko 15ms, a vrijeme izolacije kvara je oko 30ms. Također na slici 8.23 prikazane su sekvence kako je relej detektirao kvar i koja zaštitna funkcija je dala nalog za isklop. Iz prikazanog se vidi da je u  $t=0$  ms funkcija 87L (interna oznaka releja za *jDiff*) detektirala kvar (pick-up) i nakon već 15ms dala nalog za isklop. Nakon isklopa sustav je odradio rekonfiguraciju mreže kako bi se vratilo napajanje na vod od RC2 do RC3. Vrijeme rekonfiguracije za konkretni kvar bilo je oko 145 ms. Vrijeme beznaponske pauze na vodu mjereno je uređajem za kvalitetu električne energije koji je prikazao rezultat od 147ms. Na isti način provedena su ispitivanja i na ostalim dionicama mreže, rezultati su pokazali da je za svaku lokaciju vrijeme isklopa i rekonfiguracije zajedno bilo manje od 200ms.

**Tablica 8.2:** Postavke zaštite u normalno pogononu

R.br	Relej	I <sub>»</sub> (A)	t <sub>»</sub> (s)	I <sub>&gt;</sub> (A)	t <sub>&gt;</sub> (s)	I <sub>0</sub> (A)	t <sub>0</sub> (s)	jDiff%	t jDiff
1	CB1	1100	0,1	300	0,3	10	1	-	-
2	RC1	1000	0,05	200	0,2	10	0,8	15	0,0
3	RC2	200	0,05	200	0,1	10	0,8	15	0,0
4	RC3	-	-	-	-	-	-	-	-
5	RC4	1000	0,0,5	200	0,2	10	0,8	15	0,0
5	CB2	1100	0,1	500	0,3	10	1	-	-

## 8.6 Usporedba rezultata

Prema dostupnim podacima iz pogona HEP Elektra Koprivnica, pri normalnom oklopnom stanju gdje se koriste releji 7SC80 na kojima ima mogućnosti primjene *jDiff*, releji su podešeni na postavke opisane u tablici 8.2.

Iz tablice 8.2 razvidno je da za slučaj kada *jDiff* nije aktivna, odnosno kad se radi „klasično“ vremensko zatezanje zaštite tada je ukupno vrijeme isklopa  $\sum_{i=1}^n T_i = 1,1s$ .

Za isti slučaj primjenom algoritma optimalne koordinacije zaštite na simulacijskom modelu iz poglavlja 7 dobiven je rezultat  $\sum_{i=1}^n T_i = 1,0672s$  što se može smatrati malo boljim rezultatom, poboljšanje za od prilike 5%. Razlike u vremenima je u razlogu da se u praksi zaokružuju vremena isklopa na 1 decimalu.

Za slučaj kada je aktivna *jDiff*, tada je na dijelu mreže vrijeme isklopa trenutno ( $t=0s$ ), ukupno vrijeme isklopa je  $\sum_{i=1}^n T_i = 0,6s$ , što predstavlja veliko poboljšanje u ukupnom vremenu isklopa.

Glavna razlika između stvarne samoobnavljajuća mreža HEP Koprivnica i simuliranog laboratorijskog modela su:

- upravljanje - laboratorijski model baziran je na centraliziranom na činu upravljanja, stvarna mreža bazirana je na decentraliziranom modelu upravljanja. Prednosti centraliziranog modela su mogućnost integracije različitih vrsta uređaja i različitih proizvođača. Decentralizirani model iz stvarne mreže to nije u mogućnosti napraviti, već je isključivo vezan na jedan tip uređaja.
- adaptivnost - laboratorijski model je baziran na dinamičkoj adaptivnosti i potpuno je adaptivan i može se prilagoditi na bilo koji model mreže. Model iz stvarna mreže je

baziran na statičkoj adaptivnosti i predefiniranim postavkama.

- zaštita - laboratorijski model baziran je na vremenskom stupnjevanje zaštite. Model iz stvarne mreže iz vremensko stupnjevanje koristi još jednu dodatnu funkciju *jDiff* sa kojom ima trenutno vrijeme isklopa na kvar. U ovom slučaju model statičke adaptivnosti ima blagu prednost, ali nedostatak je skalabilnost na veće i zapetljanije mreže

S obzirom da se radi o dva različita tipa upravljanja (laboratorij - centralizirani, stvarna mreža - decentralizirani), te da se u stvarnoj mreži koristi dodatna zaštitna funkcija *jDiff*, postoje razlike u vremenima detekcije i izolacije kvara i vremenima rekonfiguracije mreže. Ono što je jednako za laboratorijski model i stvarnu mrežu su način rekonfiguracije mreže (rezultati AORM algoritma) i vremenska koordinacija relejane zaštite (rezultat AOKZ algoritma) čime se još jednom potvrđuje ispravan rad oba algoritma. Pilot projekt samoobnavljajuće mreže HEP Koprivnica pokazao je mogućnost primjene modificirane MDAZU metoda u praksi.

## 8.7 Zaključak poglavlja

U ovom poglavlju prikazano je laboratorijski model samoobnavljajuće mreže na kojem je testiran i verificiran MDAZU metoda. Laboratorijski model razvijen je u sklopu realizacije pilot projekta samo-obnavljajuće mreže HEP Elektra Koprivnica. U laboratoriju se mogu simulirati stvarni uvjeti iz mreže. Kao simulacijski model koristio se model iz poglavlja 7 kako bi se mogli usporediti rezultati simulacije sa rezultatima laboratorijskog modela. Analizom rezultata potvrdio se ispravan rad MDAZU u laboratorijskim uvjetima. Također osim laboratorijskog modela, provedena su ispitivanja u stvarnoj mreži HEP Elektra Koprivnica. Prikazana je implementacija pilot projekta samo-obnavljajuće mreže HEP Elektra Koprivnica kao primjer samoobnavljajuće mreže bazirane na decentraliziranom sustavu upravljanja i statičkoj adaptivnosti. Na projektu se koristila hibridna verzija MDAZU modela, bazirana na *jDiff* zaštiti i decentraliziranom sustavu upravljanja, koji ima sposobnost trenutnog isklopa kvara gdje god se pojavio. Rezultati su pokazali da primjenom *jDiff* funkcije značajno se skraćuje ukupno vrijeme isklopa. Na kraju poglavlja dan je pregled rezultat i usporedba MDAZU metoda primijenjena na laboratorijskom modelu u odnosu na modificiranu metodu primijenjenu na stvarnoj mreži. Uspostava laboratorija i primjena MDAZU algoritma na laboratorijskom modelu verificirala se MDAZU metoda što se smatra znanstvenim doprinosom u ovome istraživanju.

# Poglavlje 9

## Zaključak

Kod pojave kvara u mreži potrebno je kvar odmah izolirati i minimizirati utjecaj na kvalitetu opskrbe korisnika mreže. Zadatak relejne zaštite je da izolacija kvara bude koordinirana i selektivna, a da vremena trajanja prekida budu što kraća. Nakon izolacije kvara, potrebno je u što kraćem roku napraviti rekonfiguraciju mreže kako bi korisnici koji nisu zahvaćeni kvarom povratili napajanje i da što manji broj korisnika ostane bez napajanja. Da bi se ovi zahtjevi realizirali u tako brzom roku, potreban je novi pristup upravljanju i zaštiti distribucijske mreže. Primjenom tehnologija naprednih mreža kao što je adaptivna zaštita, mreža postaje stabilnija i prilagodljiva na razne uvjete u mreži. Smanjuje se vrijeme trajanja prekida u odnosu na konvencionalne metode, te se uvode nove mogućnosti optimalnog upravljanja i zaštite mreže što ima pozitivne utjecaje na indekse pouzdanosti mreže.

U ovome doktorskom radu predložena je metoda dinamičke adaptivnosti zaštite i upravljanja koja ima sposobnost locirati kvare, izolirati kvar, rekonfigurirati mrežu i ponovo uspostaviti napajanje u što kraćem roku i na način da što manje korisnika ostane bez napajanja. Metoda je bazirana na dva algoritma: algoritam optimalne rekonfiguracije mreže (AORM) i algoritam optimalne koordinacije zaštite korištenjem metoda inteligentnog pretraživanja (AOKZ). Metoda je prvo ispitana računalnom simulacijom, a zatim u laboratorijskim uvjetima korištenjem tzv. hardware u petlji (eng hardware in the loop - HIL). Nakon laboratorija, metoda je uspoređena sa stvarnim primjerom samo-obnavljajuće mreže HEP Koprivnica.

Istraživanje je podijeljeno u 8 poglavlja. Prva četiri poglavlja razmatraju uvodnu raspravu i teorijsku podlogu, dok poglavlja 5,6,7 i 8 opisuju predložene metode i znanstvene doprinose ovoga rada.

U prvom poglavlju opisani su trendovi u EES, koji su ujedno i motivacija za provedbu

ovoga istraživanja. Opisan je prijedlog doktorskog rada kao i predloženi ciljevi istraživanja i znanstveni doprinosi.

U drugom poglavlju opisan je model distribucijske mreže. Opisane su komponente mreže, načini upravljanja mrežom, te utjecaj distribuirane proizvodnje na mrežu.

U trećem poglavlju opisan je teorijski uvod u relejnu zaštitu. Prikazana su tradicionalna rješenja relejne zaštite, tipovi zaštite koji se koriste u distribucijskim mrežama. Kao podloga za nastavak istraživanja razrađen je utjecaj statičkog udešenja na selektivnost zaštite. Predložene metode u ovom radu bi trebale odgovoriti na te izazove.

U četvrtom poglavlju opisan je koncept napredne distribucijske mreže koji se sastoji od nekoliko stupnjeva automatizacije. Danas je prisutna automatizacija po dubini mreže koja omogućuje upravljanje i nadzor elemenata mreže puno dalje od primarne trafostanice. Upravo takav način vođenja mreže daje veću vidljivost i mogućnost optimizacije cijele mreže. U nastavku je opisan koncept adaptivne zaštite u mreži i zašto je neophodan za nove promjene u EES. Predložena su tri stupnja adaptivnosti zaštite: tradicionalna (tzv. "fit and forget"), adaptivna zaštita (predefinirane postavke) i dinamička adaptivna zaštita koja ima mogućnost kontinuirane i automatske prilagodbe na nova stanja u mrežu (rekonfiguracija i udešenja zaštite). Upravo je dinamička adaptivnost predmet daljnjeg istraživanja. Adaptivnost zaštite i mreže je preduvjet za najviši stupanj automatizacije a to su samo-obnavljajuće mreže. Opisani su modeli i tipovi samo-obnavljajućih mreža.

U petom poglavlju opisan je algoritam optimalne koordinacije relejne zaštite (AOKZ) primjenom metoda inteligentnog pretraživanja. Za pronalazak optimalnog rješenja korištena je modificirana optimizacijska metoda rojem čestica GEPSO. Postavljen je matematički model koji je potrebno optimirati, definirana je funkcija cilja kao i sva ograničenja. Funkcija cilja je minimizirati vrijeme isklopa primarnih releja, a da se pri tome zadrži selektivnost prorade zaštite i koordinira rad rezervnih releja. Primjenom AOKZ dobivene su optimalne vrijednosti za koordinaciju relejne zaštite za zadanu konfiguraciju mreže. Model je testiran na dva standardna sustava IEEE, na mreži sa 3 sabirnice i na mreži sa 8 sabirnica. Usporedbom rezultat za oba slučaja razvidno je da algoritam AOKZ daje zadovoljavajuće rezultate i predstavlja učinkovit način koordinacije relejne zaštite. Znanstveni doprinos u ovom poglavlju je razvoj i verifikacija AOKZ algoritma za koordinaciju rada nadstrujnih releja gdje prvi puta korištena metoda inteligentnog pretraživanja za određivanje optimalne koordinacije između releja bazirana na modificiranom PSO algoritmom GEPSO. Algoritam AOKZ je adaptivan i može se primijeniti za bilo koju konfiguraciju radijalne mreže.

U šestom poglavlju opisan je rad algoritma optimalne rekonfiguracije mreže AORM. Defini-

ran je matematički i optimizacijski problem te je provedena optimizacija korištenjem umjetnih neuronskih mreža (ANN), kojom je određen optimalni redosljed uklopa i isklopa pojedinih prekidača u mreži za predloženo inicijalno stanje mreže. Algoritam je zatim testiran na IEEE mreži sa 33 sabirnice. Na osnovu dobivenih rezultata prikazana su poboljšanja u mreži, te je potvrđeno da se sa predloženim AORM algoritmom može izvršiti optimalna rekonfiguracija mreže za različita stanja distribucijske mreže. Algoritam je testiran i uvjetima kvara i neraspodivnosti dijela mreže. Znanstveni doprinos u AORM algoritmu je u tome da je za optimalnu rekonfiguraciju mreže prvi puta korištena umjetna neuronska mreža sa zadanim načinom rada i definiranim ograničenjima. Usporedbom rezultata sa drugim optimizacijskim metodama na istom modelu mreže potvrdio se ispravan rad AORM algoritma.

U sedmom poglavlju opisana je metoda dinamičke adaptivnosti zaštite i upravljanja, MDAZU. Analizom dostupne literature utvrđeno je da većina FLISR metoda je zasnovana na tradicionalnoj ili statičkoj adaptivnosti zaštite i vođenja mreže, gdje su svi parametri predodređeni unaprijed i imaju malu ili nikakvu mogućnost adaptacije na novo stanje mreže. Primjenom MDAZU moguće je detektirati kvari, izolirati kvar i rekonfigurirati mrežu u optimalno topološko stanje, te uspostaviti optimalnu koordinaciju relejne zaštite za novu topologiju mreže. Metoda se dinamički primjenjuje za sva uklopna stanja promatrane mreže. MDAZU se temelji na dva algoritma obrađenim u prijašnjim poglavljima AORM i AOKZ. Napravljena je simulacija MDAZU na modelu distribucijske mreže. Izračunate su optimalne postavke za normalno uklopno stanje, nakon čega je simuliran kvar na dionici distribucijskog voda, gdje je pokazan puni ciklus rada MDAZU. Korištenjem metode razvijena je napredna samo-obnavljajuća mreža koja ima sposobnost prilagodbe na sva uklopna stanja te predstavlja znanstveni doprinos u predmetnom području istraživanja.

U ovom poglavlju prikazanu je laboratorijski model samo-obnavljajuće mreže na kojem je testiran i verificiran MDAZU metoda, kao i realizirani pilot projekt samo-obnavljajuće mreže HEP ODS Koprivnica u stvarnoj mreži. Laboratorijski model razvijen je u sklopu realizacije pilot projekta samo-obnavljajuće mreže HEP Elektra Koprivnica. U laboratoriju se mogu simulirati stvarni uvjeti iz mreže. Kao simulacijski model koristio se isti model na kojem je testiran rad MDAZU metode kako bi se mogli usporediti rezultati simulacije sa rezultatima laboratorijskog modela. Analizom rezultata potvrdio se ispravan rad MDAZU i u laboratorijskim uvjetima. Također osim laboratorijskog modela, razvijena je i implementirana stvarna samo-obnavljajuća mreža u HEP Elektra Koprivnica. Prikazana je implementacija pilot projekta samo-obnavljajuće mreže HEP Elektra Koprivnica kao primjer samo-obnavljajuće mreže bazirane na decentraliziranom sustavu upravljanja i statičkoj adaptivnosti. Na projektu se koristila hibridna verzija MDAZU modela, bazirana na hibridnoj diferencijalnoj zaštiti i decentraliziranom sustavu upravljanja, koji ima sposobnost trenutnog isklopa kvara gdje god se pojavio.

Rezultati su pokazali da se primjenom dodatne hibridne diferencijalne funkcije značajno se skraćuje ukupno vrijeme isklopa u odnosu na klasične zaštite. Projekt je pokazao da je primjena samo-obnavljajućih mreža moguća u praksi. Na kraju poglavlja dan je pregled rezultata i usporedba MDAZU metoda primijenjena na laboratorijskom modelu u odnosu na modificiranu metodu primijenjenu na stvarnoj mreži. Uspostava laboratorija i primjena MDAZU algoritma na laboratorijskom modelu verificirala se MDAZU metoda što se smatra znanstvenim doprinosom u ovome istraživanju.

Kroz cijelo istraživanje kao sastavni dio doktorskog rada, utvrdilo se da je moguće unaprijediti postojeće metode vođenja i štíćenja mreže. Primjenom AORM i AOKZ algoritma u sklopu MDAZU metode, smanjuje se vrijeme detekcija i otklanjanja kvarova te se na optimalniji način radi rekonfiguracija mreže i ponovno uspostavljanje napajanja. Izgradnjom laboratorijskog modela te implementacijom samo-obnavljajuće mreže u stvarnim uvjetima pokazalo se da su samo-obnavljajuće mreže primjenjive u stvarnom pogonu.



# Bibliografija

- [1]The European Green Deal. European Commission, 2019.
- [2]Goić, R., Jakus, D., Penović, I., (ur.), Distribucija električne energije. Fakultet Elektrotehnike, Strojarstva i Brodogradnje Split, 2008.
- [3]Seila, G. F., Marusic, A., “LOKACIJA KVARA U DISTRIBUCIJSKOJ MREŽI”, HO CIRED, Vol. SO3-10, 2010.
- [4]Tomasic, T., Mesic, D., Tunjic, A., Vuksanic, M., “Pokazatelji pouzdanosti napajanja kao kriterij za planiranje”, HO CIRED, Vol. SO5-18, 2018.
- [5]Uvjeti kvalitete opskrbe električnom energijom. HERA Hrvatska energetska regulatorna agencija, NN 37/2017, 2017.
- [6]Strategic research agenda for europe’s electricity networks of the future. SmartGrids Strategic Research Agenda - European Technology Platform SmartGrids, March 2012.
- [7]Smart Grids: from innovation to deployment. European Commission, April 2011.
- [8]K. Kauhaniemi, S. V., “Adaptive Relay Protection Concept for Smart Grids”, Renewable Efficient Energy II Conference, Vaasa, Finland, March 2012.
- [9]Kauhaniemi, K., Voima, S., “Adaptivity of Protection in Smart Grids”, in PAC World Conference 2012, 2012.
- [10]Zayandehroodi, H., Mohamed, A., Shareef, H., Mohammadjafari, M., “A Comprehensive review of protection coordination methods in power distribution systems in the presence of DG”, Electrical Review, Vol. ISSN 0033-2097, No. R. 87 NR 8/2011, August 2011.
- [11]Mrežna pravilima distribucijskog sustava. HEP Operator distribucijskog sustava, NN 74/2018, 2018.

- [12]Wang, X., McArthur, S. D., Strachan, S. M., Kirkwood, J. D., Paisley, B., “A data analytic approach to automatic fault diagnosis and prognosis for distribution automation”, IEEE Transactions on Smart Grid, Vol. 9, No. 6, 2017, str. 6265–6273.
- [13]Sharma, J., D.Bhavsar, Sharma, L., “A scientometric analysis of smart grid implementation at distribution”, Proceedings of International Conference on ICT for Sustainable Development. Advances in Intelligent Systems and Computing, Vol. 409, No. DOI 10.1007/978-981-10-0135-2<sub>6</sub>, 2016, str.6265 – –6273.
- [14]Ferreira, G. D., Gazzana, D. S., Bretas, A. S., Bettiol, A. L., Carniato, A., Passos, L. F. d. N., Homma, R. Z., Molina, F. H., “Multiobjective milp model for optimal allocation of automated switching devices in electric power distribution systems”, 2015, str. 1-6.
- [15]Brajković, D., Čučić, R., Fabris, V., Jadrijević, Z., Brestovec, B., Njavro, B., “Implementacija automatizacije po dubini srednjenaponske mreže”, HO CIRED, No. SO1 - 05, 2014.
- [16]Udgave, A. D., Jadhav, H., “A review on distribution network protection with penetration of distributed generation”, in 2015 IEEE 9th International Conference on Intelligent Systems and Control (ISCO). IEEE, 2015, str. 1–4.
- [17]Wang, C., Wang, S. *et al.*, “Study on some key problems related to distributed generation systems”, Automation of Electric Power Systems, Vol. 32, No. 20, 2008, str. 1–4.
- [18]Motyka, D., Kajanová, M., Bracíník, P., “The impact of embedded generation on distribution grid operation”, in 2018 7th International Conference on Renewable Energy Research and Applications (ICRERA). IEEE, 2018, str. 360–364.
- [19]Razavi, S.-E., Rahimi, E., Javadi, M. S., Nezhad, A. E., Lotfi, M., Shafie-khah, M., “Impact of distributed generation on protection and voltage regulation of distribution systems: A review”, Renewable and Sustainable Energy Reviews, Vol. 105, 2019, str. 157–167.
- [20]Rizwan, M., Hong, L., Waseem, M., Shu, W., “Sustainable protection coordination in presence of distributed generation with distributed network”, International Transactions on Electrical Energy Systems, Vol. 30, No. 3, 2020, str. e12217.
- [21]Chihota, M. J., Bekker, B., Gaunt, C. T., “Technical assessment of the impacts of distributed energy resources on distribution feeders”, 2021, str. 397-439.
- [22]Seyed-Ehsan, R., Ehsan, R., Sadegh, J. M., Esmaeel, N. A., Mohamed, L., khah Miadreza, S., “Impact of distributed generation on protection and voltage regulation of distribution systems: A review”, Renewable and Sustainable Energy Reviews, Vol. 105, 2019, str. 157–167.
- [23]Pravila o priključenju na distribucijsku mrežu. HEP Operator distribucijskog sustava, 2021.

- [24]HA, M. P., Huy, P. D., Ramachandaramurthy, V. K., “A review of the optimal allocation of distributed generation: Objectives, constraints, methods, and algorithms”, *Renewable and Sustainable Energy Reviews*, Vol. 75, 2017, str. 293–312.
- [25]Marchenko, A., Fishov, A., “The impact of distributed generation on power quality of the electric network”, in *Applied Mechanics and Materials*, Vol. 792. Trans Tech Publ, 2015, str. 248–254.
- [26]Marko, V., Predrag, M., Srete, N., Hrvoje, G., “Distributed generation harmonic interaction in the active distribution network”, *Tehnički vjesnik*, Vol. 25, No. 6, 2018, str. 1720–1730.
- [27]Dizdarević, N., M.Majstorović, S.Zutobradić, “Distribuirana proizvodnja električne energije”.
- [28]Ivkić, I., “Koordinacija nadstrujnih zaštita aktivnih distribucijskih mreža”, 2016.
- [29]Nikolovski, S., “Zaštita u elektroenergetskom sustavu”, 2007.
- [30]Chang, T., “Impact of distributed generation on distribution feeder protection”, 2010.
- [31]Coster, E., Myrzić, J., Kling, W., “Effect of dg on distribution grid protection”, *Distributed generation*, Vol. 2, 2010.
- [32]Zaštita u električnim postrojenjima. Slavko Krajcar, Fakultet elektrotehnike i računarstva, Zagreb, 2016.
- [33]Selection Guide for SIPROTEC and Reyrolle - Siemens. Siemens AG.
- [34]Gore, R., Satheesh, H., Varier, M., Valsan, S., “Analysis of an iec 61850 based electric substation communication architecture”, in *2016 7th International Conference on Intelligent Systems, Modelling and Simulation (ISMS)*. IEEE, 2016, str. 388–393.
- [35]Antonova, G., Nardi, M., Scott, A., Pesin, M., “Distributed generation and its impact on power grids and microgrids protection”, in *2012 65th annual conference for protective relay engineers*. IEEE, 2012, str. 152–161.
- [36]Sučić, S., Kopic, B., Martinić, A., H.Keserica, “Referentna arhitektura za napredene elektroenergetske”, HO CIRED, No. CROSBID: 586131, 2011.
- [37]Gungor, V. C., Sahin, D., Kocak, T., Ergut, S., Buccella, C., Cecati, C., Hancke, G. P., “Smart grid technologies: Communication technologies and standards”, *IEEE transactions on Industrial informatics*, Vol. 7, No. 4, 2011, str. 529–539.
- [38]Mohagheghi, S., Tournier, J.-C., Stoupis, J., Guise, L., Coste, T., Andersen, C. A., Dall, J., “Applications of iec 61850 in distribution automation”, in *2011 IEEE/PES Power Systems Conference and Exposition*. IEEE, 2011, str. 1–9.

- [39]SIPROTEC 5 – Devices Protection, Automation and Monitoring. Siemens AG, 2015.
- [40]Li, T., Xu, B., “The self-healing technologies of smart distribution grid”, in CICED 2010 Proceedings. IEEE, 2010, str. 1–6.
- [41]Coster, E., Kerstens, W., Berry, T., “Self healing distribution networks using smart controllers”, IET, 2013.
- [42]Self-healing solution for distribution grids - ENEAS distribution automation. Siemens AG, 2014.
- [43]Bedekar, P. P., Bhide, S. R., “Optimum coordination of overcurrent relay timing using continuous genetic algorithm”, Expert Systems with Applications, Vol. 38, No. 9, 2011, str. 11 286–11 292.
- [44]Urdaneta, A. J., Restrepo, H., Marquez, S., Sanchez, J., “Coordination of directional overcurrent relay timing using linear programming”, IEEE Transactions on Power Delivery, Vol. 11, No. 1, 1996, str. 122–129.
- [45]Swathika, O., Hemamalini, S., “Graph theory and optimization algorithms aided adaptive protection in reconfigurable microgrid”, Journal of Electrical Engineering & Technology, Vol. 15, No. 1, 2020, str. 421–431.
- [46]Singh, D. K., Gupta, S., “Use of genetic algorithms (ga) for optimal coordination of directional over current relays”, in 2012 Students Conference on Engineering and Systems. IEEE, 2012, str. 1–5.
- [47]Khurshaid, T., Wadood, A., Farkoush, S. G., Kim, C.-H., Yu, J., Rhee, S.-B., “Improved firefly algorithm for the optimal coordination of directional overcurrent relays”, IEEE Access, Vol. 7, 2019, str. 78 503–78 514.
- [48]Tjahjono, A., Anggriawan, D. O., Faizin, A. K., Priyadi, A., Pujiantara, M., Taufik, T., Purnomo, M. H., “Adaptive modified firefly algorithm for optimal coordination of overcurrent relays”, IET Generation, Transmission & Distribution, Vol. 11, No. 10, 2017, str. 2575–2585.
- [49]Omidi Brojeni, P., Abazari, S., Madani, M., “Pesa ii algorithm-based optimal coordination of directional overcurrent relays in microgrid”, Computational Intelligence in Electrical Engineering, 2021.
- [50]Srivastava, A., Tripathi, J. M., Krishan, R., Parida, S., “Optimal coordination of overcurrent relays using gravitational search algorithm with dg penetration”, IEEE Transactions on Industry Applications, Vol. 54, No. 2, 2017, str. 1155–1165.

- [51]Dehghanpour, E., Karegar, H. K., Kheirollahi, R., Soleymani, T., “Optimal coordination of directional overcurrent relays in microgrids by using cuckoo-linear optimization algorithm and fault current limiter”, *IEEE Transactions on Smart Grid*, Vol. 9, No. 2, 2016, str. 1365–1375.
- [52]Kim, C.-H., Khurshaid, T., Wadood, A., Farkoush, S. G., Rhee, S.-B., “Gray wolf optimizer for the optimal coordination of directional overcurrent relay”, *Journal of Electrical Engineering and Technology*, Vol. 13, No. 3, 2018, str. 1043–1051.
- [53]Mansour, M. M., Mekhamer, S. F., El-Kharbawe, N., “A modified particle swarm optimizer for the coordination of directional overcurrent relays”, *IEEE transactions on power delivery*, Vol. 22, No. 3, 2007, str. 1400–1410.
- [54]Kennedy, J., Eberhart, R., “Particle swarm optimization”, in *Proceedings of ICNN’95-international conference on neural networks*, Vol. 4. IEEE, 1995, str. 1942–1948.
- [55]Sinjeri, T., Tomic, J., Gagic, V., Braga, R., “Self-healing distribution grid based on adaptive protection and iec61850 decentralized architecture”, June, 2019, str. paper no 1083.
- [56]Hussain, M., Musirin, I., Rahim, S., Abidin, A., Azmi, A., “Optimal overcurrent relay coordination using particle swarm optimization”, in *2013 International Conference on Electrical, Control and Computer Engineering,(InECCE 2013)*, Vol. 2013, 2013, str. 42–47.
- [57]IEC 60255-1:2009, *Measuring relays and protection equipment - Part 1*. IEC, 2009.
- [58]RAMLI, S. P., USAMA, M., MOKHLIS, H., WONG, W. R., HUSSAIN, M. H., MUHAMMAD, M. A., MANSOR, N. N., “Optimal directional overcurrent relay coordination based on computational intelligence technique: a review”, *Turkish Journal of Electrical Engineering & Computer Sciences*, Vol. 29, No. 3, 2021, str. 1284–1307.
- [59]Amraee, T., “Coordination of directional overcurrent relays using seeker algorithm”, *IEEE Transactions on Power Delivery*, Vol. 27, No. 3, 2012, str. 1415–1422.
- [60]Korashy, A., Kamel, S., Youssef, A.-R., Jurado, F., “Modified water cycle algorithm for optimal direction overcurrent relays coordination”, *Applied Soft Computing*, Vol. 74, 2019, str. 10–25.
- [61]Rajput, V. N., Pandya, K. S., “Coordination of directional overcurrent relays in the interconnected power systems using effective tuning of harmony search algorithm”, *Sustainable Computing: Informatics and Systems*, Vol. 15, 2017, str. 1–15.
- [62]Singh, M., Panigrahi, B., Abhyankar, A., “Optimal coordination of directional over-current relays using teaching learning-based optimization (tlbo) algorithm”, *International Journal of Electrical Power & Energy Systems*, Vol. 50, 2013, str. 33–41.

- [63]Norshahrani, M., Mokhlis, H., Bakar, A., Halim, A., Jamian, J. J., Sukumar, S., “Progress on protection strategies to mitigate the impact of renewable distributed generation on distribution systems”, *Energies*, Vol. 10, No. 11, 2017, str. 1864.
- [64]Parsopoulos, K. E., Vrahatis, M. N., *Particle swarm optimization and intelligence: advances and applications: advances and applications*. IGI global, 2010.
- [65]Renuka, T., Reji, P., Sreedharan, S., “An enhanced particle swarm optimization algorithm for improving the renewable energy penetration and small signal stability in power system”, *Renewables: Wind, Water, and Solar*, Vol. 5, No. 1, 2018, str. 1–17.
- [66]Yousif, M., Ai, Q., Gao, Y., Wattoo, W. A., Jiang, Z., Hao, R., “Application of particle swarm optimization to a scheduling strategy for microgrids coupled with natural gas networks”, *Energies*, Vol. 11, No. 12, 2018, str. 3499.
- [67]Rajput, V. N., Adelnia, F., Pandya, K. S., “Optimal coordination of directional overcurrent relays using improved mathematical formulation”, *IET Generation, Transmission & Distribution*, Vol. 12, No. 9, 2018, str. 2086–2094.
- [68]Wadood, A., Kim, C.-H., Khurshiad, T., Farkoush, S. G., Rhee, S.-B., “Application of a continuous particle swarm optimization (cpso) for the optimal coordination of overcurrent relays considering a penalty method”, *Energies*, Vol. 11, No. 4, 2018, str. 869.
- [69]Muhammad, Y., Raja, M. A. Z., Shah, M. A. A., Awan, S. E., Ullah, F., Chaudhary, N. I., Cheema, K. M., Milyani, A. H., Shu, C.-M., “Optimal coordination of directional overcurrent relays using hybrid fractional computing with gravitational search strategy”, *Energy Reports*, Vol. 7, 2021, str. 7504–7519.
- [70]Hussain, M. H., Rahim, S. R. A., Musirin, I., “Optimal overcurrent relay coordination: a review”, *Procedia Engineering*, Vol. 53, 2013, str. 332–336.
- [71]Sahu, A., Panigrahi, S. K., Pattnaik, S., “Fast convergence particle swarm optimization for functions optimization”, *Procedia Technology*, Vol. 4, 2012, str. 319–324.
- [72]Kordon, A. K., “Swarm intelligence: The benefits of swarms”, in *Applying Computational Intelligence*. Springer, 2010, str. 145–174.
- [73]Wong, L., Sulaiman, M., Rahim, S. R. A., Aliman, O., “Optimal distributed generation placement using hybrid genetic-particle swarm optimization”, *International Review of Electrical Engineering*, Vol. 6, No. 3, 2011.

- [74]Shi, Y., Eberhart, R. C., “Empirical study of particle swarm optimization”, in Proceedings of the 1999 congress on evolutionary computation-CEC99 (Cat. No. 99TH8406), Vol. 3. IEEE, 1999, str. 1945–1950.
- [75]Freitas, D., Lopes, L. G., Morgado-Dias, F., “Particle swarm optimisation: a historical review up to the current developments”, *Entropy*, Vol. 22, No. 3, 2020, str. 362.
- [76]Sedighizadeh, D., Masehian, E., Sedighizadeh, M., Akbaripour, H., “Gepso: A new generalized particle swarm optimization algorithm”, *Mathematics and Computers in Simulation*, Vol. 179, 2021, str. 194–212.
- [77]Naik, B. B., Raju, C. P., Rao, R. S., “A constriction factor based particle swarm optimization for congestion management in transmission systems”, *International Journal on Electrical Engineering and Informatics*, Vol. 10, No. 2, 2018, str. 232–241.
- [78]Wadood, A., Khurshaid, T., Farkoush, S. G., Yu, J., Kim, C.-H., Rhee, S.-B., “Nature-inspired whale optimization algorithm for optimal coordination of directional overcurrent relays in power systems”, *Energies*, Vol. 12, No. 12, 2019, str. 2297.
- [79]Khurshaid, T., Wadood, A., Farkoush, S. G., Yu, J., Kim, C.-H., Rhee, S.-B., “An improved optimal solution for the directional overcurrent relays coordination using hybridized whale optimization algorithm in complex power systems”, *IEEE Access*, Vol. 7, 2019, str. 90 418–90 435.
- [80]Albasri, F. A., Alroomi, A. R., Talaq, J. H., “Optimal coordination of directional overcurrent relays using biogeography-based optimization algorithms”, *IEEE Transactions on Power Delivery*, Vol. 30, No. 4, 2015, str. 1810–1820.
- [81]Singh, M., Panigrahi, B., Abhyankar, A., “Optimal coordination of directional over-current relays using teaching learning-based optimization (tlbo) algorithm”, *International Journal of Electrical Power & Energy Systems*, Vol. 50, 2013, str. 33–41.
- [82]Thangaraj, R., Pant, M., Deep, K., “Optimal coordination of over-current relays using modified differential evolution algorithms”, *Engineering Applications of Artificial Intelligence*, Vol. 23, No. 5, 2010, str. 820–829.
- [83]Noghabi, A. S., Sadeh, J., Mashhadi, H. R., “Considering different network topologies in optimal overcurrent relay coordination using a hybrid ga”, *IEEE Transactions on Power Delivery*, Vol. 24, No. 4, 2009, str. 1857–1863.
- [84]Ezzeddine, M., Kaczmarek, R., Iftikhar, M., “Coordination of directional overcurrent relays using a novel method to select their settings”, *IET generation, transmission & distribution*, Vol. 5, No. 7, 2011, str. 743–750.

- [85]Jakus, R., Čađenović, M., Bogdanović, J. V., “Optimalna rekonfiguracija distribucijske mreže primjenom heurističkih metoda i genetskih algoritama”, in 12. simpozij o sustavu vođenja EES HRO CIGRE, 2016.
- [86]Lueken, C., Carvalho, P. M., Apt, J., “Distribution grid reconfiguration reduces power losses and helps integrate renewables”, *Energy Policy*, Vol. 48, 2012, str. 260–273.
- [87]de Macêdo Braz, H. D., de Souza, B. A., “Distribution network reconfiguration using genetic algorithms with sequential encoding: Subtractive and additive approaches”, *IEEE Transactions on Power Systems*, Vol. 26, No. 2, 2010, str. 582–593.
- [88]López, J. C., Lavorato, M., Rider, M. J., “Optimal reconfiguration of electrical distribution systems considering reliability indices improvement”, *International Journal of Electrical Power & Energy Systems*, Vol. 78, 2016, str. 837–845.
- [89]Jin, X., Zhao, J., Sun, Y., Li, K., Zhang, B., “Distribution network reconfiguration for load balancing using binary particle swarm optimization”, in 2004 International Conference on Power System Technology, 2004. PowerCon 2004., Vol. 1. IEEE, 2004, str. 507–510.
- [90]Li, J., Song, X., Wang, Y., Zhang, X., Tang, W., “Service restoration for distribution network considering the uncertainty of restoration time”, in 2016 3rd International Conference on Systems and Informatics (ICSAI). IEEE, 2016, str. 188–192.
- [91]Al-Sabounchi, A., Gow, J., Al-Akaidi, M., Al-Thani, H., “Minimizing line energy loss of radial distribution feeder with a pv distributed generation unit avoiding reverse power flow”, in 2011 2nd International Conference on Electric Power and Energy Conversion Systems (EPECS). IEEE, 2011, str. 1–6.
- [92]Vasudevan, B., Sinha, A., “Reliability improvement of reconfigurable distribution system using ga and pso”, *Electrical Engineering*, Vol. 100, No. 2, 2018, str. 1263–1275.
- [93]Chiradeja, P., “Benefit of distributed generation: A line loss reduction analysis”, in 2005 IEEE/PES Transmission & Distribution Conference & Exposition: Asia and Pacific. IEEE, 2005, str. 1–5.
- [94]Davda, A. T., Azzopardi, B., Parekh, B. R., Desai, M. D., “Dispersed generation enable loss reduction and voltage profile improvement in distribution network—case study, gujarat, india”, *IEEE Transactions on Power Systems*, Vol. 29, No. 3, 2013, str. 1242–1249.
- [95]Ravindran, V., Aravinthan, V., “Feeder level power loss reduction through reactive power control with presence of distributed generation”, in 2013 IEEE Power & Energy Society General Meeting. IEEE, 2013, str. 1–5.



- [96]Tran, T. T., Truong, K. H., Vo, D. N., “Stochastic fractal search algorithm for reconfiguration of distribution networks with distributed generations”, *Ain Shams Engineering Journal*, Vol. 11, No. 2, 2020, str. 389–407.
- [97]Imran, A. M., Kowsalya, M., Kothari, D., “A novel integration technique for optimal network reconfiguration and distributed generation placement in power distribution networks”, *International Journal of Electrical Power & Energy Systems*, Vol. 63, 2014, str. 461–472.
- [98]Nara, K., Shiose, A., Kitagawa, M., Ishihara, T., “Implementation of genetic algorithm for distribution systems loss minimum re-configuration”, *IEEE Transactions on Power systems*, Vol. 7, No. 3, 1992, str. 1044–1051.
- [99]Syahputra, R., Robandi, I., Ashari, M., “Reconfiguration of distribution network with distributed energy resources integration using pso algorithm”, *Telkomnika*, Vol. 13, No. 3, 2015, str. 759.
- [100]Delbem, A. C., de Carvalho, A. P. L., Bretas, N., “Main chain representation for evolutionary algorithms applied to distribution system reconfiguration”, *IEEE Transactions on Power Systems*, Vol. 20, No. 1, 2005, str. 425–436.
- [101]Nguyen, T. T., Truong, A. V., “Distribution network reconfiguration for power loss minimization and voltage profile improvement using cuckoo search algorithm”, *International Journal of Electrical Power & Energy Systems*, Vol. 68, 2015, str. 233–242.
- [102]Tosic, J., Skok, S., Teklic, L., Balkovic, M., “Resilience neural-network-based methodology applied on optimized transmission systems restoration”, *Energies*, Vol. 15, No. 13, 2022, str. 4694.
- [103]Vai, V., Suk, S., Lorm, R., Chhlonh, C., Eng, S., Bun, L., “Optimal reconfiguration in distribution systems with distributed generations based on modified sequential switch opening and exchange”, *Applied Sciences*, Vol. 11, No. 5, 2021, str. 2146.
- [104]Parikh, P., Voloh, I., Mahony, M., “Fault location, isolation, and service restoration (flisr) technique using iec 61850 goose”, in *2013 IEEE Power & Energy Society General Meeting*. IEEE, 2013, str. 1–6.
- [105]Weng, J., Liu, D., Luo, N., Tang, X., “Distributed processing based fault location, isolation, and service restoration method for active distribution network”, *Journal of Modern Power Systems and Clean Energy*, Vol. 3, No. 4, 2015, str. 494–503.
- [106]Siirto, O., Kuru, J., Lehtonen, M., “Fault location, isolation and restoration in a city distribution network”, in *2014 Electric Power Quality and Supply Reliability Conference (PQ)*. IEEE, 2014, str. 367–370.

- [107]Liang, Y., Bai, M., Liu, K., Liu, D., Qi, D., Guo, Q., Ye, X., Kang, T., He, H., Chai, B., “A cyber-physical test case for distribution grid operation and control”, CSEE Journal of Power and Energy Systems, 2021.
- [108]Chouhan, S., Mohammadi, F. D., Feliachi, A., Solanki, J. M., Choudhry, M. A., “Hybrid mas fault location, isolation, and restoration for smart distribution system with microgrids”, in 2016 IEEE power and energy society general meeting (PESGM). IEEE, 2016, str. 1–5.
- [109]Spalding, R. A., Rosa, L. H., Almeida, C. F., Morais, R. F., Gouvea, M. R., Kagan, N., Mollica, D., Dominice, A., Zamboni, L., Batista, G. H. *et al.*, “Fault location, isolation and service restoration (flisr) functionalities tests in a smart grids laboratory for evaluation of the quality of service”, in 2016 17th International Conference on Harmonics and Quality of Power (ICHQP). IEEE, 2016, str. 879–884.
- [110]Jayantilal, A., McCarthy, C., “Smarter fault location, isolation, and service restoration using integrated distribution management systems and distribution automation”, in 2012 IEEE Power and Energy Society General Meeting. IEEE, 2012, str. 1–3.
- [111]Mohamed, A., Lamhamdi, T., El Moussaoui, H., El Markhi, H., “A multi-agent system for fault location and service restoration in power distribution systems”, Multiagent and Grid Systems, Vol. 15, No. 4, 2019, str. 343–358.
- [112]Sinjeri, T., Tomic, J., Gagic, V., Cazin, V., “Samoobnavljaju ća distribucijska mreža elektre ko-privnica”, June, 2019, str. paper no 1083.
- [113]“Ispitni laboratorij”, 2018.
- [114]AG, S., “Siprotec compact feeder protection and recloser controller 7sc80”.
- [115]AG, S., “Siemens vacuum recloser 3ad”.
- [116]Mohagheghi, S., Tournier, J.-C., Stoupis, J., Guise, L., Coste, T., Andersen, C. A., Dall, J., “Applications of iec 61850 in distribution automation”, 2011, str. 1–9.
- [117]Sinjeri, T., Marusic, A., “Nove mogu ćnosti pri vođenju pogona i ugađanja zaštite distribucijskog sustava”, HO CIRED, 2012.
- [118]Achanta, S. V., Bradetich, R., Fodero, K., “Speed and security considerations for protection channels”, 2016, str. 1–9.

# Popis oznaka i kratica

## Kratice

ACO Ant colony optimization

ADMA Automatizacija distribucijske mreže

AMI Advanced metering infrastructure

AMR Automatic meter reading

ANFIS Adaptive neuro-fuzzy technique

ANN Umjetne neuronske mreže

ANSI American National Standards Institute

AOKZ Algoritam optimalne koordinacije adaptivne zaštite

AORM Algoritam optimalne rekonfiguracije mreže

APU Automatski ponovni uklop

BBO Biogeography-based optimization

CAIDI Customer Average Interruption Duration Index

CB Prekida                      č

CEPEU Clean Energy Package EU

CFCC Continuous Function Chart

CSA Cuckoo search algorithm

DI Distribuirani izvor

DMS Distribution management system

DURNdaljinski upravljane rastavne naprave

EESelektroenergetski sustav

EGDEuropean Green Deal

FAFirefly Algorithm

FLISRLokacija kvara, izolacija i uspostava napajanja

FWAFireworks algorithm

GAGenetski algoritmi

GEPSOGenereic particle swarm optimization

HEHidroelektrana

IECInternational Electrotechnical Commission

IEEEInstitute of Electrical and Electronics Engineers

LBSLoad break switch

LPLinearno programiranje

MDAZMetoda dinamičke adaptivnosti zaštite

MILPMixed integer linear programming

MSEMean squared error

NNNiski napon

NOPNormal open point

NUSNormalno uklopno stanje

ODSOperator distribucijskog sustava

OFObjective function

OIEObnovljivi izvori energije

OMSOutage management system

PMUPhasor measurement unit

PSOParticle swarm optimization

PTSPickup tap setting  
RCRecloser  
RMURing main unit  
SAIDISystem Average Interruption Duration Index  
SAIFISystem Average Interruption Frequency Index  
SCADASupervisory Control and Data Acquisition  
SFSStochastic fractal search  
SGSmart Grid  
SMTStrujni mjerni transformator  
SNSrednji napon  
TMSMultiplikator vremenske karakteristike  
TSTransformatorska stanica  
VEVjetroelektrana  
VNVisoki napon  
WOAWhale optimization algorithm

### **Oznake**

$\Delta_{set\%}$  setpoint za pobudu jDiff

$\omega$	inercijska varijabla
$CT_{ratio}$	Prijenosni omjer strujnog mjernog transformatora
$I >>$	Trenutna nadstrujna zaštita
$I >$	Vremenski neovisna nadstrujna zaštita
$I''_{k1}$	Jednofazni kvar
$I''_{k2}$	Dvofazni kratki spoj
$I''_{k3}$	Trofazni kratki spoj
$I''_{kE2E}$	Dvofazni kratki spoj sa zemljom

$I_{KS}''$	Struja kratkog spoja
$I_{\mu 0}$	Iznos struje u trenutku $t=0$ , za jDiff
$I_{\mu 3}$	Iznos struje u trenutku 3 periode prije $t=0$ , za jDiff
$I_{diff}$	Diferencijalna struja
$I_f$	Struja kvara
$I_{min,max}$	Struja minimalna, maksimalna
$I_p$	Struja pobude
$jDiff$	hibridna diferencijalna zaštita
$P_{loss}$	Gubici radne snage
$t_{MDAZU}$	Ukupno trajanje MDAZU algoritma
$v$	brzina čestice
$v_i^{k+1}$	Nova brzina čestice
$V_{min,max}$	Napon minimalni, maksimalni
$x_i^k$	Nova pozicije čestice
$Z_{k,d}$	Impedancija direktnog sustava
$gbest$	globalno najbolje rješenje
$pbest$	lokano najbolje rješenje

# Popis slika

2.1. Zrakasta (radijalna) 10 (20) kV mreža . . . . .	.8
2.2. Prstenasta 10 (20) kV mreža . . . . .	.9
2.3. Mreže s potpornom točkom . . . . .	.10
2.4. Linijska 10 (20) kV mreža . . . . .	.10
2.5. Kombinirana prstenasta i linijska 10 (20) kV mreža . . . . .	.11
2.6. Vrste kvarova u distribuciskoj mreži . . . . .	.12
3.1. Doprinos struji kvara . . . . .	.27
3.2. Ekvivalent mreže za slučaj bez DI i za slučaj sa DI na mreži . . . . .	.28
3.3. Neselektivni isklop CB2 . . . . .	.29
3.4. Zaštita radijalnog voda - zone i vremenska karakteristika . . . . .	.30
3.5. Nadstrujni relej s neovisnom vremenskom karakteristikom . . . . .	.32
3.6. Primjer neovisne nadstrujne zaštite bez vremenskog podešenja [32] . . . . .	.32
3.7. Vremensko stupnjevanje zaštite za KS na gornjem vodu [32] . . . . .	.33
3.8. Kombinirana izvedba vremeni ovisnog i trenutnog nadstrujnog releja . . . . .	.34
3.9. Primjena ovisnog nadstrujnog releja . . . . .	.34
4.1. ADM arhitektura [34] . . . . .	.37

4.2.	Razine implementacije adaptivne zaštite . . . . .	.39
4.3.	Centralizirani sustav upravljanja . . . . .	.41
4.4.	Multiagentski sustav MAS . . . . .	.42
4.5.	Model bez komunikacijske infrastrukture . . . . .	.43
4.6.	Kabelska mreža bez komunikacije . . . . .	.44
4.7.	Vrijeme otklanja kvara u sustavu bez automatike . . . . .	.44
4.8.	Nadzemna mreža sa komunikacijom (Peer-to-Peer) . . . . .	.44
4.9.	Usporedba vremena otklanjanja kvara . . . . .	.45
4.10.	Nadzemna mreža sa komunikacijom sa SCADA sustavom . . . . .	.46
4.11.	Distribution Management System – DMS . . . . .	.46
5.1.	Različite tehnike i metode optimalne koordinacije nadstrujnih releja [58] . . . . .	.53
5.2.	koncept promjene brzine i položaja čestice u PSO [72] . . . . .	.57
5.3.	Promjena brzine čestice u GEPSO modelu . . . . .	.59
5.4.	Dijagram toka GEPSO metode . . . . .	.61
5.5.	IEEE mreža sa 3 sabirnice . . . . .	.63
5.6.	IEEE mreža sa 8 sabirnice . . . . .	.64
6.1.	Algoritam optimalna rekonfiguracije mreže . . . . .	.71
6.2.	Algoritam optimalne rekonfiguracije mreže - AORM . . . . .	.74
6.3.	Struktura slojeva neuronskih mreža u AORM algoritmu . . . . .	.75
6.4.	IEEE mreža sa 33 sabirnice, prije rekonfiguracije . . . . .	.76
6.5.	Krivulja učinkovitosti za trening ANN . . . . .	.76
6.6.	Stanja parametara učenja neuronske mreže . . . . .	.77



6.7. Histogram grešaka . . . . .	.78
6.8. Prikaz linearne regresije . . . . .	.78
6.9. IEEE mreža sa 33 sabirnice, nakon rekonfiguracije . . . . .	.79
7.1. Dijagram toka metoda MDAZU . . . . .	.85
7.2. Model mreže HEP Elektra Koprivnica . . . . .	.88
7.3. Matlab model mreže HEP Elektra Koprivnica . . . . .	.88
7.4. Krivulja učinkovitosti za trening ANN . . . . .	.89
7.5. Stanja parametara učenja neuronske mreže . . . . .	.90
7.6. Histogram grešaka . . . . .	.90
7.7. Prikaz linearne regresije . . . . .	.91
7.8. <i>Best-cost</i> kroz svaku iteraciju . . . . .	.92
7.9. Simulacija kvara na mjestu RC1-RC2 . . . . .	.94
7.10. Oscilografski zapis struja RC1-RC4 . . . . .	.95
7.11. Oscilografski zapis napona RC1-RC4 . . . . .	.95
8.1. Model dijela mreže Elektre Koprivnica i lokacija prekidača u mreži . . . . .	.99
8.2. Nadomjesna 1p shema dijela mreže elektra Koprivnica – dio koji se automatizira	100
8.3. Blok shema laboratorijskog modela . . . . .	.101
8.4. Laboratorijski model mreže . . . . .	.102
8.5. Laboratorijski model mreže . . . . .	.103
8.6. Simulacija kvara na mjestu RC1-RC2 . . . . .	.103
8.7. Oscilografski zapis struja sa releja RC1-RC4 . . . . .	.104
8.8. Oscilografski zapis napona sa releja RC1-RC4 . . . . .	.105

8.9. Blok shema upravljanja samoobnavljajuće mreže Koprivnica . . . . .	.107
8.10. Vakuumski prekidač i upravljački ormar . . . . .	.108
8.11. Shema komunikacijskog sustava . . . . .	.109
8.12. SCADA aplikacija u centru upravljanja . . . . .	.109
8.13. Matrica uklopnih stanja za pojedinu sekvencua . . . . .	.111
8.14. Shema uzdužne diferencijalne zaštite . . . . .	.112
8.15. Uspoređivanje iznosa struja unutar zadnja 3 ciklusa . . . . .	.113
8.16. blok dijagram $jDiff$ . . . . .	.114
8.17. Rotacija referentnog napona, usmjerenog člana u jednoj fazi . . . . .	.115
8.18. Područje „naprijed“ kod usmjerenog elementa . . . . .	.115
8.19. Primjer rada $jDiff$ . . . . .	.116
8.20. Koordinacija vremena isklopa sa $jDiff$ (komunikacija aktivna) . . . . .	.116
8.21. Koordinacija vremena isklopa kada je $jDiff$ blokiran . . . . .	.116
8.22. Valni oblik struje i napona kod prorade $jDiff$ . . . . .	.117
8.23. Sekvence releja kod pojave kvara . . . . .	.118
8.24. Zapis iz uređaja za kvalitetu električne energije . . . . .	.118

# Popis tablica

3.1. Konstante releja . . . . .	.34
5.1. Konstrukcijske konstante zaštitnog releja . . . . .	.50
5.2. Struje kratkog spoja za primarni i rezervni relej - mreža 3 sabirnica . . . . .	.63
5.3. Prijenosni omjeri SMT - mreža 3 sabirnica . . . . .	.63
5.4. Rezultati optimizacije TMS i PS - mreža 3 sabirnice . . . . .	.64
5.5. Struje kratkog spoja za primarni i rezervni relej - mreža 8 sabirnica . . . . .	.65
5.6. Prijenosni omjeri SMT - mreža 8 sabirnica . . . . .	.66
5.7. Rezultati optimizacije TMS i PS - mreža 8 sabirnice . . . . .	.66
6.1. Usporedba rezultata rekonfiguracije IEEE mreže sa 33 sabirnice . . . . .	.80
6.2. Analiza AORM sa različitim slučajevima kvara i stanja mreže . . . . .	.80
6.3. Optimalni redoslijed uklapanja za sve slučajeve . . . . .	.81
7.1. Matrica normalnog uklopnog stanja promatranog modela . . . . .	.88
7.2. Struje kratkog spoja za primarni i rezervni relej . . . . .	.92
7.3. Rezultati optimizacije TMS i PS . . . . .	.93
7.4. Matrica uklopnog stanja nakon rekonfiguracije . . . . .	.96
7.5. Rezultati optimizacije TMS i PS - nakon rekonfiguracije . . . . .	.96

8.1. Matrica normalnog uklopnog stanja promatranog modela . . . . .	.104
8.2. Postavke zaštite u normalno pogononu . . . . .	.119

# Životopis

Josip Tošić rođen je u Zagrebu 1985. godine, završio je osnovnu i srednju školu u Zagrebu. Diplomirao je 2009. godine na Fakultetu elektrotehnike i računarstva u Zagrebu. Od 2009. godine zaposlen je u Siemens d.d. kao inženjer relejne zaštite i sustava upravljanja. Od 2012. u Siemens d.d. zaposlen je na mjestu Voditelja prodaje za relejnu zaštitu i voditelja projekata izgradnja/rekonstrukcija trafostanica. Od 2019. do danas zaposlen je u vlastitoj tvrtki Toska d.o.o. gdje je zaposlen kao direktor, a tvrtka se bavi inženjering uslugama u projektima obnovljivih izvora energije. Glavna područja znanstvenog istraživanja i stručnog rada su napredne mreže (eng. smart grid) napredni sustavi upravljanja i zaštite. Autor je i koautor 8 znanstvenih i stručnih radova objavljenih u međunarodnim časopisima i na međunarodnim i domaćim znanstvenim i stručnim skupovima.

## Popis objavljenih radova

### Znanstveni radovi u zbornicima skupova s međunarodnom recenzijom

1. Josp Tomic, Srdan Skok, Ljupko Teklic, Mislav Balkovic, “Resilience Neural-Network-Based Methodology Applied on Optimized Transmission Systems Restoration”, *Energies* 2022, 15, 4694, doi.org/10.3390/en15134694.
2. Goran Jurisic, Josip Tomic, Juraj Havelka, Dora Mesic, “Numerical phaser estimation algorithms”, *IEEE EUROCON 2017-17th International Conference on Smart Technologies*, pp. 428-436. IEEE, 2017.

### Radovi u zbornicima skupova s recenzijom

1. Tomislav Sinjeri, Josip Tomic, Vladimir Gagic, Rodrigo Braga, “Self-healing distribution grid based on adaptive protection and IEC61850 decentralized architecture”, *CIREC Ma-*

- drid 2019-25th International Conference on Electricity Distribution, paper n1083, lipanj 2019.
2. Josip Tošić, Vladimir Gagić, Tomislav Sinjeri, Zdravko Matišić, “Adaptivna zaštita u samoobnavljajućoj distribucijskoj mreži elektre Koprivnica korištenjem protokola IEC 61850”, HO CIRED 2018- 6.savjetovanje, rad SO3-15, svibanj 2018.
  3. Tomislav Sinjeri, Josip Tosic, Vladimir Gagic, Vedran Cazin, “Samoobnavljajuća distribucijska mreža elektre Koprivnica”, HO CIRED 2018- 6.savjetovanje, rad SO3-15, svibanj 2018.
  4. Josip Tošić, Vladimir Gagić, “Samoobnavljajuća distribucijska mreža”, MIPRO 2018 - 41. međunarodni skup, HEP - Informacijska i komunikacijska tehnologija u elektroprivrednoj djelatnosti, lipanj 2018.
  5. Josip Tošić, “Komerциjalne i tehničke virtualne elektrane kao dio EES-a”, HO CIRED 2014- 4.savjetovanje, rad SO4-08, svibanj 2014.
  6. Josip Tošić, “Srednjenaponske transformatorske stanice sa daljinskim upravljanjem”, MIPRO 2014 - 36. međunarodni skup, HEP - Informacijska i komunikacijska tehnologija u elektroprivrednoj djelatnosti, lipanj 2013.
  7. Josip Tošić, “Napredno upravljanje snagom kroz koncept virtualne elektrane”, HO CIRED 2013

# Biography

Josip Tošić was born in Zagreb in 1985 and finished primary and secondary school in Zagreb. He graduated in 2009 from the Faculty of Electrical Engineering and Computing in Zagreb. Since 2009 he has been employed by Siemens d.d. as a relay protection and control system engineer. Since 2012 at Siemens d.d. he is employed as a Sales Manager for relay protection and a project manager for the construction / reconstruction of substations. From 2019 until today, he has been employed by his own company Toska Ltd, where he is employed as a director, and the company is engaged in engineering services in renewable energy projects. The main areas of scientific research and professional work are advanced networks (smart grid) and advanced management and protection systems. He is the author and co-author of 10 scientific and professional papers published in international journals and at international and domestic scientific and professional conferences.