

Napredne zaštitne sheme prijenosne elektroenergetske mreže zasnovane na sinkroniziranim mjerenjima.

Zbunjak, Zoran

Doctoral thesis / Disertacija

2020

Degree Grantor / Ustanova koja je dodijelila akademski / stručni stupanj: **University of Zagreb, Faculty of Electrical Engineering and Computing / Sveučilište u Zagrebu, Fakultet elektrotehnike i računarstva**

Permanent link / Trajna poveznica: <https://urn.nsk.hr/urn:nbn:hr:168:996937>

Rights / Prava: [In copyright](#) / [Zaštićeno autorskim pravom.](#)

Download date / Datum preuzimanja: **2024-07-31**



Repository / Repozitorij:

[FER Repository - University of Zagreb Faculty of Electrical Engineering and Computing repository](#)





Sveučilište u Zagrebu
FAKULTET ELEKTROTEHNIKE I RAČUNARSTVA

Zoran Zbunjak

**NAPREDNE ZAŠTITNE SCHEME PRIJENOSNE
ELEKTROENERGETSKE MREŽE ZASNOVANE
NA SINKRONIZIRANIM MJERENJIMA**

DOKTORSKI RAD

Zagreb, 2020.



Sveučilište u Zagrebu
FAKULTET ELEKTROTEHNIKE I RAČUNARSTVA

Zoran Zbunjak

**NAPREDNE ZAŠTITNE SCHEME PRIJENOSNE
ELEKTROENERGETSKE MREŽE ZASNOVANE
NA SINKRONIZIRANIM MJERENJIMA**

DOKTORSKI RAD

Mentor: prof. dr. sc. Igor Kuzle

Zagreb, 2020.



University of Zagreb
FACULTY OF ELECTRICAL ENGINEERING AND COMPUTING

Zoran Zbunjak

**SMART PROTECTION SCHEMES OF POWER
TRANSMISSION GRID BASED ON
SYNCHRONIZED MEASUREMENTS**

DOCTORAL THESIS

Supervisor: Professor Igor Kuzle, PhD

Zagreb, 2020

Doktorski rad izrađen je na Sveučilištu u Zagrebu Fakultetu elektrotehnike i računarstva, na Zavodu za visoki napon i energetiku.

Mentor: prof. dr. sc. Igor Kuzle

Doktorski rad ima: 172 stranica

Doktorski rad br.: _____

O MENTORU

Igor Kuzle rođen je u Tuzli 1967. godine. Diplomirao je, magistrirao i doktorirao u polju elektrotehnike na Sveučilištu u Zagrebu Fakultetu elektrotehnike i računarstva (FER), 1991., 1997. odnosno 2002. godine. Od srpnja 1992. godine radi na Zavodu za visoki napon i energetiku FER-a čiji je predstojnik od 2014. godine. U siječnju 2015. godine izabran je u zvanje redovitog profesora, a u studenome 2017. izabran je u znanstvenog savjetnika u trajnom zvanju. Član je dva znanstvena vijeća Hrvatske akademije znanosti i umjetnosti (HAZU), Znanstvenog vijeća za tehnološki razvoj i Znanstvenog vijeća za naftno-plinsko gospodarstvo i energetiku. Prof. Kuzle je nagrađen Nacionalnom nagradom za znanost za 2017. godinu za svoj doprinos znanosti u području naprednih mreža u prijenosnom sustavu te Nagradom za znanost FER-a za svoj izniman istraživački doprinos u razdoblju od 2010 do 2015. Dobitnik je nagrade HAZU za 2019. godinu za znanstveni doprinos iz primjene različitih koncepata upravljanja naprednim elektroenergetskim mrežama u svrhu povećanja fleksibilnosti elektroenergetskog sustava te omogućavanja masovne integracije obnovljivih izvora energije.

Sudjelovao je na sedam znanstvenih projekata Ministarstva znanosti, obrazovanja i sporta Republike Hrvatske te tri EU FP7 projekta. Trenutno je voditelj istraživačkog HRZZ projekta WINDLIPS i koordinator na dva H2020 projekta (CROSSBOW i IRES-8) te jednom bilateralnom projektu s Republikom Kinom WIND ASP.

Objavio je 34 rada u časopisima A kategorije i više od 100 radova u zbornicima međunarodnih konferencija u području naprednih mreža i dinamike elektroenergetskog sustava. Također, koautor je preko 200 tehničkih studija i elaborata u području energetike od kojih je za njih preko 80 bio i voditelj.

Prof. Kuzle član je stručne udruge IEEE (2009.-2012. predsjednik Hrvatske sekcije IEEE, 2015.-2016. dopredsjednik za tehničke aktivnosti IEEE Regije 8), član suradnik Akademije tehničkih znanosti Hrvatske (HATZ) te član stručne udruge CIGRE (2009.-2012. član izvršnog odbora hrvatskog ogranka CIGRE). Član je Odbora za znanost i međunarodnu suradnju Sveučilišta u Zagrebu te potpredsjednik za znanost Matičnog odbora za elektrotehniku i računarstvo Nacionalnog vijeća za znanost, visoko obrazovanje i tehnološki razvoj. Dodatno, član je Odbora za priključak obnovljivih izvora energije Hrvatskog operatora prijenosnog sustava (HOPS) te član stručnog savjetodavnog odbora za procjenu utjecaja na okoliš obnovljivih izvora energije Ministarstva zaštite okoliša i energetike (MZOE). Član je

odbora za dodjelu znaka „Hrvatska kvaliteta“ Hrvatske gospodarske komore te je član Hrvatske komore inženjera i ovlaštenu inženjer od 1994.

Bio je predsjedavajući tri međunarodne konferencije (IET MEDPOWER 2018, IEEE Energycon 2014, IEEE Eurocon 2013) i član u više od 50 međunarodnih programskih odbora znanstvenih konferencija. Član je uredničkih odbora osam znanstvenih časopisa (u dva je gostujući urednik) te sudjeluje kao recenzent u većem broju inozemnih časopisa.

Znanstveni interesi prof. Kuzle uključuju dinamiku elektroenergetskog sustava, održavanje energetske opreme te napredne mreže i integraciju obnovljivih izvora energije u elektroenergetski sustav.

ABOUT THE SUPERVISOR

Igor Kuzle was born in Tuzla in 1967. He received B.Sc., M.Sc. and Ph.D. degrees in electrical engineering from the University of Zagreb Faculty of Electrical Engineering and Computing (FER), Zagreb, Croatia, in 1991, 1997 and 2002, respectively. From July 1992, he has been working at the Department of Energy and Power Systems at FER and since 2014 he has been the Head of the Department. In 2015 he was promoted to a Full Professor and in 2017 he was promoted to a Tenured Scientific Adviser. He is a member of two scientific councils of the Croatian Academy of Sciences and Arts (Scientific Council for Technological Development and Scientific Council for Crude Oil and Gas Economy and Power Supply). Prof. Kuzle was awarded Croatian National Science Award for the year 2017 for his contribution in the field of smart grid applications in the transmission system and the FER Science Award for his outstanding research contribution in the period from 2010 to 2015. He received the Croatian Academy of Sciences and Arts Award for 2019 for scientific contribution from the application of various concepts of advanced power system control in order to increase the flexibility of the power system and enabling mass integration of renewable energy sources.

He participated in seven scientific projects financed by the Ministry of Science, Education and Sports of the Republic of Croatia and three EU FP7 projects. Currently he is FER's coordinator of two H2020 projects (CROSSBOW and IRES-8) and a project leader of national research project (WINDLIPS) financed by the Croatian Science Foundation, as well as the Croatia-China bilateral project WIND ASP.

He published 34 papers in A Category journals and over 100 papers in international conference proceedings in the area of smart grids and power systems dynamics. He also co-authored over 200 technical studies for utilities and private companies being the project leader of 80 such projects.

Prof. Kuzle is a member of IEEE (2009-2012 IEEE Croatia Section Chair, 2015-2016 IEEE Region 8 Vice Chair for Technical Activities), an associate member of the Croatian Academy of Engineering (HATZ), and a member of CIGRE (2009-2012 Croatian National Committee CIGRE executive board). Since 2012 he has been a member of Croatia TSO Coordination Group for Connection of Renewable Energy Sources and a member of the Advisory Expert Committee of the Ministry of Environmental and Nature Protection in the evaluation of environmental impact of the Renewable Energy Sources. He is a member of technical commission for assigning Croatian quality mark of the Croatian Chamber of

Economy and a member of the Croatian Chamber of Electrical Engineers and a Licensed Engineer since 1994.

He chaired three international conferences (IET Medpower 2018, IEEE Energycon 2014, IEEE Eurocon 2013) and was a member of 50 international conferences programs committees. He serves as an editorial board member for 8 international scientific journals of which he is a Guest Editor in 2. He has participated in the review process of many scientific papers.

His scientific interests include problems in electric power systems' dynamics and control, maintenance of electrical equipment, as well as smart grids and integration of renewable energy sources.

ZAHVALA

Veliko hvala svim prijateljima, suradnicima i poznanicima koji su mi na bilo koji način pomogli svojim savjetima, razgovorima ili razmišljanjima.

Hvala i mojem poslodavcu, Hrvatskom operatoru prijenosnog sustava. Čast mi je biti dio jedne tako tehnološki specifične i napredne tvrtke.

A posebnu zahvalu želim iskazati svojoj obitelji koja mi je neiscrpan izvor inspiracije u lijepim, ali i teškim trenucima.

„Instinkt je nešto što nadmašuje znanje“ N.T.

SAŽETAK

Znanstveni problem utvrđen u sklopu ove disertacije je problem oko nastanka preopterećenja dijelova elektroenergetske prijenosne mreže u tržišnim uvjetima vođenja njezina rada s visokim udjelom proizvodnje električne energije iz elektrana na obnovljive izvore energije. Problem koji se nadovezuje na navedeni je i problem koordinacije djelovanja lokalnih sustava relejne zaštite na širokom području. Disertacijom je istražena mogućnost rješenja opisanih znanstvenih problema primjenom tehnologije sinkroniziranih mjerenja fazora u vidu razvoja naprednih zaštitnih shema (NZZS).

Razvijena je metoda za izradu NZS-a prijenosne elektroenergetske mreže zasnovanih na sinkroniziranim mjerenjima fazora na temelju procjene sigurnosti. Metoda je opisana blok dijagramom te omogućava podjelu NZS-a na sheme koje održavaju postojeću proizvodnju i potrošnju šticećenog dijela sustava te na sheme rasterećenja ili smanjenja proizvodnje kao drugu grupu shema. Metodom su definirani kriteriji za pokretanje NZS-a kao i proračuni koje je potrebno izvršiti u cilju procjene sigurnosti rada promatranog dijela mreže.

Razvijen je heuristički model za promjenu topologije mreže zasnovan na sinkroniziranim mjerenjima fazora s ciljem očuvanja sigurnosti. Navedeni model temelji se na principu preraspodjele tokova snaga kako bi se ublažila opterećenja u ugroženim dijelovima mreže. Provjera djelovanja razvijenog heurističkog modela izvedena je na IEEE ispitnom sustavu. Nakon uspješne provjere djelovanja prikazana je primjena na primjeru dijela prijenosne elektroenergetske mreže Hrvatske u okolini VE Vrataruša u sklopu čega je razvijen i programski algoritam za primjenu NZS. Razvijeni algoritam opisan je dijagramom toka te je prikazano njegovo djelovanje prema koracima izvođenja algoritma.

Također su razvijeni modeli optimalne promjene topologije mreže i optimalnog rasterećenja zasnovani na linearnom proračunu i sinkroniziranim mjerenjima fazora. Provjere djelovanja modela izvedene su na IEEE ispitnom sustavu, a ispitivanja su utvrdila ispravnost djelovanja i iznimnu točnost. Primjena modela optimalnog rasterećenja je prikazana na primjeru dijela elektroenergetskog sustava Hrvatske podsustava Istre.

Ključne riječi: prijenosna elektroenergetska mreža, napredne zaštitne sheme, tehnologija sinkroniziranih mjerenja fazora, tokovi snaga, model optimalne promjene topologije mreže, model optimalnog rasterećenja

SMART PROTECTION SCHEMES OF POWER TRANSMISSION GRID BASED ON SYNCHRONIZED MEASUREMENTS

The scientific problem identified in this dissertation is the problem of overloading parts of the electricity transmission network, in market conditions of its operation, with a high share of electricity production from renewable energy sources, whose variable production directly depends on environmental weather conditions, such as wind farms or photovoltaic power plants. The problem that builds on this is the problem of coordinating the operation of local relay protection systems in a wide area. Large power system failures can occur in combination with overloading of parts of the power transmission network together with the problem of coordinating the local relay protection system operation, where cascade outages of transmission lines cause the system separation into several disconnected parts.

The dissertation investigates the possibility of solving the described scientific problems by applying the synchronized phasor measurements technology in the form of system integrity protection schemes (SIPS). SIPS task is to improve the coordination of local relay protection systems and preserve the integrity of a wider part of power system in cases of power transmission network disturbances.

Based on the most important elements of the scientific problem and the subject of scientific research, the hypothesis was set that it is possible to maintain the integrity of a wider part of the power system, improve coordination of local relay protection systems and alleviate network congestion by applying the transmission network SIPS based on synchronized phasor measurements.

The main goal of the transmission power network SIPS based on synchronized measurements is to monitor the operation of the transmission power network in real time and to take advanced measures in cases of disturbances in the operation of its parts. The necessity of the SIPS is to avoid load shedding and production reducing measures. SIPS are primarily aimed at changing the network topology, in order to distribute its power flows in a more appropriate way. Load shedding measures are allowed only in critical situations. In extreme necessity of defending the system from blackouts, measures to reduce production can be allowed. The following is a brief description of the chapter dissertation organization.

The second chapter of the dissertation describes the general needs for the development and use of the transmission network SIPS. It is stated that the needs were largely created due to changes in the operation of power networks, caused by the introduction of the

electricity market. Concepts and requirements for advanced control systems, that represent the vision of the power system of the future, are described, ie the version of the power system that is able to meet and support new relationships and trends within the liberalized and deregulated electricity market. At the end of the chapter, an overview of the current development of the SIPS based on synchronized measurements in the world is given, including a description of typical application examples of the SIPS from the available literature.

The third chapter describes the basic operation principles of the synchronized phasor measurements technology, which application in the form of SIPS was investigated as part of the research process. A historical overview of the origin of this technology and a method for estimating phasors from the waveform of the sinusoidal time signal, as a characteristic waveform of electrical quantities of voltage and current, are provided. The target architecture of the SIPS based on synchronized phasor measurements is also described.

The fourth chapter presents the developed method for designing transmission power network SIPS based on synchronized phasor measurements, according to safety assessment. The method is described with a block diagram. It allows the division of the SIPS into schemes that maintain existing production and consumption of protected system part and into load shedding or production reduction schemes, as another group of schemes. Method defines criteria for initiating SIPS, as well as calculations that need to be performed, in order to assess safety of the observed network part.

Chapter 5 describes the developed heuristic network topology switching model based on synchronized phasor measurements with the aim of preserving safety. This model is based on the principle of redistribution power flows, in order to mitigate loads in endangered network parts. Overload mitigation by changing the network topology essentially refers to the system separation or merging into differently connected units. Verification of the heuristic network topology switching model operation was performed on an IEEE test system with 14 buses.

After a successful operation verification of the heuristic network topology switching model on the test system, the sixth chapter presents the application of the developed model on the example of the Croatian transmission network part near wind power plant Vrataruša. Based on actual synchronized phasor measurements, a model for the network operation analysis was developed. SIPS Senj was developed based on the separation of the 110 kV bus system in hydro power plant Senj, in order to preserve the integrity of the observed transmission network part. The sixth chapter also provides a software algorithm for

transmission power network SIPS application. A flow diagram describes the developed algorithm and its operation, according to the steps of performing. A functional examination of the developed algorithm in the Matlab software package is presented at the end of the chapter.

Chapter 7 describes an optimal network topology switching model based on linear programming and synchronized phasor measurements. Although a network topology switching can be considered as the disconnection of lines or transformers, such actions were not considered due to their simpler mathematical description. The proposed optimal network topology switching model uses exclusively bus splitting mechanisms, whose search for a solution is far more mathematically demanding than the disconnection of individual elements. The verification of the optimal network topology switching model is shown on the IEEE test system with 14 buses.

The eighth chapter describes the optimal load shedding model based on linear programming and synchronized phasor measurements. Developed model belongs to the second group of SIPS measures, aimed at power system load shedding. The task of the model is to mitigate the overload created in the power transmission network by consumption optimization. Optimization is based on the power flow calculations of a simplified linear DC network model. The operation verification of the optimal load shedding model was performed on an IEEE test system with 14 buses. The tests determined correct operation and the exceptional accuracy, as well as execution speed of the developed model.

The ninth chapter presents the application of the developed optimal load shedding model on the example of the Croatian power system part, Istrian subsystem. The Istrian power network subsystem blackout, which occurred on 12 July 2012, is described in detail. In order to prevent the recurrence of the described event, an optimal load shedding model, SIPS Istria, was developed. Safety assessment of the Croatian power system part, Istrian subsystem, was carried out in case the developed SIPS would be used.

In the tenth chapter, concluding remarks and a list of achieved original scientific contributions of the dissertation are presented, as well as possible improvements of the developed models and guidelines for future research.

Advanced power transmission network is conceived as a network that will enable the maintenance of power system safety, in increasingly uncertain conditions of its operation, through SIPS implementation. SIPS are not designed as a technology that will replace conventional local relay protection systems, but as a technology that will upgrade their

operation. SIPS would operate in the initial stages of disturbance development, after the operation of conventional local relay protection systems. They would recognize changes in the power network caused by the operation of local relay protection systems and, if necessary, point out potential problems in the network. In the event of a rapid disturbance development, their task would be to preserve the system integrity by running advanced protection schemes. Of course, the full functionality of an advanced power transmission grid would be extremely coordinated, in order to reduce the risk of unnecessary SIPS activations.

The following original scientific contributions were made:

- method for designing transmission power network SIPS based on synchronized phasor measurements, according to safety assessment and describing the basic SIPS classification, has been developed and can be used as a universal method for the designing different SIPS types;
- heuristic and optimal network topology switching models, based on synchronized phasor measurements, have been developed, in order to preserve safety. They are based on the bus system separation, in order to mitigate the overload, without affecting the existing level of power production and consumption;
- software algorithm for the transmission power network SIPS application has been made. Algorithm is based on a double check of activation criteria, separated from each other by the execution of a time delay;
- optimal load shedding model, based on synchronized phasor measurements and DC network model, is developed as an SIPS that affects the existing level of power production and consumption. Application of the adjustment factor, which is calculated in real time using synchronized phasor measurements, compensates for the neglect of the reactive power flows of the DC model.

The initial objectives of SIPS based on synchronized phasor measurements research and development were speed and ease of execution. Future research can be conducted towards the development of advanced underfrequency or undervoltage load shedding actions, that monitors the involvement of various system participants in real time and determines which participants contribute to the system's safety, in the event of a disturbance. Another guideline for future research is the application of protection schemes based on synchronized phasor measurements with actual action on the transmission network, where the scientific community

is working intensively to adopt new standards for sending control commands from the central computer to the stations.

So far, the synchronized phasor measurements technology has been used mainly in the validation of system models, post mortem event analysis, display of real-time measurements and other similar activities. However, the fact is that synchronized phasors have greater potential than visualizing or monitoring system operation. The synchronized phasor measurements technology will greatly contribute to the reliable and economical operation of the power system in the future, when the system integrity control and protection schemes will be used. Today, the synchronized phasor measurements technology is also available as part of local relay protection devices, but the practical application of this technology in real time is still lacking.

SADRŽAJ

1.	UVOD	1
2.	NAPREDNE ZAŠTITNE SCHEME PRIJENOSNE ELEKTROENERGETSKE MREŽE	5
2.1.	Liberalizacija elektroenergetskih sustava	5
2.2.	Koncept i zahtjevi na sustave naprednog vođenja prijenosne mreže	8
2.3.	Razvoj naprednih zaštitnih shema.....	11
3.	TEHNOLOGIJA SINKRONIZIRANIH MJERENJA FAZORA.....	17
3.1.	Povijesni pregled razvoja tehnologije sinkroniziranih mjerenja fazora.....	17
3.2.	Fazorski prikaz sinusoide.....	19
3.3.	Arhitektura sustava zaštite cjelovitosti zasnovane na sinkroniziranim mjerenjima fazora.....	21
3.4.	Iskustva sa sinkroniziranim mjerenjima fazora u Hrvatskoj.....	22
3.5.	Primjer analize rada mreže u stvarnom vremenu primjenom sinkroniziranih mjerenja fazora.....	24
4.	METODA ZA IZRADU NAPREDNIH ZAŠTITNIH SCHEMA PRIJENOSNE ELEKTROENERGETSKE MREŽE ZASNOVANA NA SINKRONIZIRANIM MJERENJIMA NA TEMELJU PROCJENE SIGURNOSTI.....	28
4.1.	Poremećaj kao ideja za izradu napredne zaštitne sheme.....	30
4.2.	Definiranje scenarija za analizu	31
4.3.	Izvođenje analiza scenarija i ukazivanje na potencijalne početne opasnosti	31
4.3.1.	Matematički opis Gauss-Seidel metode	35
4.3.2.	Gauss-Seidel metoda kod proračuna tokova snaga.....	36
4.3.3.	Model tokova snaga za Newton-Raphson metodu.....	40
4.3.4.	Matematički opis Newton-Raphson metode	42
4.3.5.	Proračun tokova snaga korištenjem Newton-Raphson metode.....	45
4.4.	Izbor napredne zaštitne sheme za ublažavanje poremećaja	49
4.5.	Preliminarni prijedlog aktivnosti i uvjeti pokretanja napredne zaštitne sheme	50
4.6.	Provjera pokretanja napredne zaštitne sheme	51
4.7.	Procjena sigurnosti rada mreže korištenjem napredne zaštitne sheme	52
5.	HEURISTIČKI MODEL ZA PROMJENU TOPOLOGIJE MREŽE ZASNOVAN NA SINKRONIZIRANIM MJERENJIMA FAZORA S CILJEM OČUVANJA SIGURNOSTI.....	53

5.1.	Definiranje heurističkog modela za promjenu topologije mreže	53
5.2.	Provjera heurističkog modela za promjenu topologije mreže na IEEE ispitnom sustavu.....	54
5.2.1.	Opis osnovnog scenarija	55
5.2.2.	N-1 analiza osnovnog scenarija	56
5.2.3.	Izbor heurističkog modela za promjenu topologije mreže NZS IEEE 14 A.....	56
5.2.4.	Preliminarni prijedlog aktivnosti i uvjeti pokretanja NZS IEEE 14 A	60
5.2.5.	Provjera pokretanja NZS IEEE 14 A	61
5.2.6.	Procjena sigurnosti IEEE ispitnog sustava korištenjem NZS IEEE 14 A.....	61
6.	PRIMJENA HEURISTIČKOG MODELA ZA PROMJENU TOPOLOGIJE MREŽE NA PRIMJERU DIJELA PRIJENOSNE ELEKTROENERGETSKE MREŽE HRVATSKE U OKOLICI VE VRATARUŠA	66
6.1.	Potvrda modela za analizu rada mreže korištenjem stvarnih sinkroniziranih mjerenja fazora.....	68
6.2.	Opis analiziranog scenarija	70
6.3.	N-1 analize opisanog scenarija.....	71
6.4.	Izbor modela za promjenu topologije mreže NZS Senj.....	72
6.5.	Preliminarni prijedlog aktivnosti i uvjeti pokretanja NZS Senj.....	73
6.6.	Provjera pokretanja NZS Senj.....	73
6.7.	Procjena sigurnosti dijela mreže u okolini VE Vrataruša korištenjem NZS Senj.....	74
6.8.	Algoritam za primjenu NZS-a prijenosne elektroenergetske mreže	77
6.9.	Programski modul razvijenog algoritma	80
7.	MODEL OPTIMALNE PROMJENE TOPOLOGIJE MREŽE ZASNOVAN NA LINEARNOM PRORAČUNU I SINKRONIZIRANIM MJERENJIMA FAZORA	81
7.1.	Definiranje modela optimalne promjene topologije mreže.....	81
7.2.	Matematički opis problema optimalne promjene topologije mreže.....	82
7.3.	Provjera modela optimalne promjene topologije mreže na IEEE ispitnom sustavu..	86
7.3.1.	Opis osnovnog scenarija	87
7.3.2.	N-1 analiza osnovnog scenarija	87
7.3.3.	Proračun istosmjernog modela mreže za slučaj preopterećenja i izračun faktora prilagodbe k_{Pe}	90
7.3.4.	Izbor modela optimalne promjene topologije mreže NZS IEEE 14 B.....	91
7.3.5.	Procjena sigurnosti IEEE ispitnog sustava korištenjem NZS IEEE 14 B.....	94

8.	MODEL OPTIMALNOG RASTEREĆENJA ZASNOVAN NA LINEARNOM PRORAČUNU I SINKRONIZIRANIM MJERENJIMA FAZORA.....	98
8.1.	Definiranje modela optimalnog rasterećenja	98
8.2.	Matematički opis problema optimalnog rasterećenja	98
8.3.	Provjera modela optimalnog rasterećenja na IEEE ispitnom sustavu.....	100
8.3.1.	Opis osnovnog scenarija	101
8.3.2.	N-1 analiza osnovnog scenarija	101
8.3.3.	Izračun faktora prilagodbe k_{Q-IEEE}	104
8.3.4.	Izbor modela optimalnog rasterećenja NZS IEEE 14 O	104
8.3.5.	Izbor modela optimalnog rasterećenja NZS IEEE 14 P	108
8.3.6.	Usporedba rezultata optimizacije i procjena sigurnosti IEEE ispitnog sustava.....	111
9.	PRIMJENA MODELA OPTIMALNOG RASTEREĆENJA NA PRIMJERU DIJELA EES-A HRVATSKE PODSUSTAVA ISTRE	115
9.1.	Elektroenergetski raspad podsustava Istre 12. srpnja 2012.g.	116
9.2.	Opis analiziranog scenarija	122
9.3.	Izračun faktora prilagodbe $k_{Q-ISTRA}$	125
9.4.	Izbor modela optimalnog rasterećenja NZS Istra.....	125
9.5.	Procjena sigurnosti podsustava Istre korištenjem NZS Istra.....	128
10.	ZAKLJUČAK	132
	LITERATURA	134
	KAZALO POJMOVA.....	140
	POPIS OZNAKA	142
	POPIS SLIKA	147
	POPIS TABLICA.....	150
	PRILOZI.....	151
	Prilog 1 – Podaci IEEE ispitnog sustava s 14 sabirnica	151
	Prilog 2 – Programski kod algoritma za primjenu naprednih zaštitnih shema.....	152
	Prilog 3 – Funkcionalno ispitivanje algoritma za primjenu naprednih zaštitnih shema u programskom paketu MATLAB	157
	Prilog 4 – Programski kod optimizacijskog algoritma za razdvajanje sabirnica	161
	Prilog 5 – Programski kod optimizacijskog algoritma za rasterećenje	165
	ŽIVOTOPIS	167
	BIOGRAPHY	172

1. UVOD

U znanstvenom istraživanju prirodan je i logičan tijek: prvo, utvrditi znanstveni problem istraživanja, drugo, iz takvog problema istraživanja definirati predmet znanstvenog istraživanja i treće, na osnovi najbitnijih elemenata znanstvenog problema i predmeta znanstvenog istraživanja postaviti primjerenu hipotezu [1].

Znanstveni problem utvrđen u sklopu ove disertacije je problem oko nastanka preopterećenja dijelova elektroenergetske prijenosne mreže u tržišnim uvjetima vođenja rada elektroenergetskog sustava (EES-a) s visokim udjelom proizvodnje električne energije iz elektrana na obnovljive izvore energije čija varijabilna proizvodnja direktno ovisi o okolnim vremenskim uvjetima, kao što su vjetroelektrane ili fotonaponske elektrane. Znanstveni problem koji se nadovezuje na navedeni je i problem koordinacije djelovanja lokalnih sustava relejne zaštite na širokom području. Veliki raspadi EES-a mogu se dogoditi u kombinaciji preopterećenja dijelova elektroenergetske prijenosne mreže zajedno s problemom koordinacije djelovanja lokalnih sustava relejne zaštite pri čemu se kaskadnim ispadima prijenosnih vodova događa razdvajanje sustava na više odvojenih cjelina. Opisani problemi preopterećenja i kaskadnih ispada prijenosnih vodova također su istaknuti uz naponsku nesigurnost kao tri dominantna problema u tržišnim uvjetima rada EES-a [2].

Disertacijom je istražena mogućnost rješavanja opisanog znanstvenog problema primjenom tehnologije sinkroniziranih mjerenja fazora u sklopu razvoja naprednih zaštitnih shema (NZS) prijenosne elektroenergetske mreže čiji je zadatak poboljšati koordinaciju djelovanja lokalnih sustava relejne zaštite i očuvanje integriteta šireg dijela EES-a u slučajevima nastanka poremećaja u radu dijelova prijenosne elektroenergetske mreže.

Na osnovu najbitnijih elemenata znanstvenog problema i predmeta znanstvenog istraživanja postavljena je hipoteza kako je primjenom NZS-a prijenosne elektroenergetske mreže zasnovanih na tehnologiji sinkroniziranih mjerenja fazora moguće održati cjelovitost šireg dijela EES-a, poboljšati koordinaciju djelovanja lokalnih sustava relejne zaštite i ublažiti utvrđena zagušenja u mreži.

Osnovni cilj NZS-a prijenosne elektroenergetske mreže zasnovanih na sinkroniziranim mjerenjima je u stvarnom vremenu nadzirati rad prijenosne elektroenergetske mreže, a zatim u slučajevima nastanka poremećaja u radu njezinih dijelova poduzimati napredne mjere. Nužnost NZS-a prijenosne elektroenergetske mreže je izbjegavati mjere

rasterećenja sustava, a pogotovo smanjenja proizvodnje. NZS-e u prvom redu usmjerene su prema izmjeni topologije mreže kako bi se na prikladniji način raspodijelilo njeno opterećenje. Tek u kritičnim situacijama dozvoljavaju se mjere rasterećenja sustava, a u krajnjoj nuždi obrane sustava od raspada mogu se dozvoliti mjere smanjivanja proizvodnje [3]. U nastavku je pružen kratki opis organizacije poglavlja disertacije.

Drugo poglavlje disertacije opisuje općenite potrebe za razvojem i korištenjem NZS-a prijenosne elektroenergetske mreže koje mogu podržati zaštitu cjelovitosti sustava. Navodi se kako su potrebe u najvećoj mjeri stvorene uslijed promjena u radu elektroenergetskih mreža nastalih uvođenjem tržišta električne energije. Opisani su koncepti i zahtjevi na sustave naprednog vođenja koji predstavljaju viziju EES-a budućnosti, odnosno inačicu EES-a koji je sposoban zadovoljiti i pružiti potporu novim odnosima i trendovima u sklopu liberaliziranog i dereguliranog tržišta električne energije. Na kraju poglavlja dan je pregled trenutne razvijenosti NZS-a u svijetu uključujući opis karakterističnih primjera primjene NZS-a iz dostupne literature.

U trećem poglavlju opisana su osnovna načela rada tehnologije sinkroniziranih mjerenja fazora čija je primjena u vidu razvoja NZS-a istraživana u sklopu disertacije. Pružen je povijesni pregled nastanka navedene tehnologije te metoda procjene fazora iz valnog oblika vremenskog signala sinusoide kao karakterističnog valnog oblika električnih veličina napona i struje. Također je opisana ciljana arhitektura sustava zaštite cjelovitosti zasnovana na sinkroniziranim mjerenjima fazora.

Četvrto poglavlje prikazuje razvijenu metodu za izradu NZS-a prijenosne elektroenergetske mreže zasnovanih na sinkroniziranim mjerenjima fazora na temelju procjene sigurnosti. Metoda je opisana blok dijagramom te omogućava podjelu NZS-a na sheme koje održavaju postojeću proizvodnju i potrošnju štice dijela sustava te na sheme rasterećenja ili smanjenja proizvodnje kao drugu grupu shema. Metodom su definirani kriteriji za pokretanje NZS-a kao i usporedbe koje je potrebno izvršiti u cilju procjene sigurnosti rada promatranog dijela mreže.

Peto poglavlje opisuje razvijeni heuristički model za promjenu topologije mreže zasnovan na sinkroniziranim mjerenjima fazora s ciljem očuvanja sigurnosti. Navedeni model temelji se na principu preraspodjele tokova snaga kako bi se ublažila opterećenja u ugroženim dijelovima mreže. Ublažavanje zagušenja promjenom topologije mreže u suštini se odnosi na razdvajanje ili spajanje sustava u drugačije povezane cjeline. Provjera djelovanja heurističkog modela za promjenu topologije mreže izvedena je na IEEE ispitnom sustavu s 14 sabirnica.

Nakon uspješne provjere djelovanja heurističkog modela za promjenu topologije mreže na ispitnom sustavu, u šestom poglavlju je prikazana primjena razvijenog modela na primjeru dijela prijenosne elektroenergetske mreže Hrvatske u okolini VE Vrataruša. Razvijen je model za analizu rada mreže na temelju stvarnih sinkroniziranih mjerenja fazora te je izrađena NZS Senj koja se temelji na razdvajanju 110 kV sustava sabirnica u HE Senj u cilju zaštite cjelovitosti štíćenog dijela prijenosne mreže. Šesto poglavlje donosi još i programski algoritam za primjenu NZS-a prijenosne elektroenergetske mreže. Razvijeni algoritam opisan je dijagramom toka te je opisano njegovo djelovanje prema koracima izvođenja algoritma. Na kraju poglavlja prikazano je funkcionalno ispitivanje razvijenog algoritma u programskom paketu Matlab.

Sedmo poglavlje opisuje model optimalne promjene topologije mreže zasnovan na linearnom proračunu i sinkroniziranim mjerenjima fazora. Iako se pod promjenom topologije mreže može smatrati isključenje vodova ili transformatora, takve akcije nisu bile predmet razmatranja zbog svojeg jednostavnog matematičkog opisa. Predloženi model optimalne promjene topologije mreže koristi isključivo mehanizme razdvajanja sustava sabirnica čija je potraga za rješenjem daleko matematički zahtjevnija od isključivanja pojedinačnih elemenata. Provjera modela optimalne promjene topologije mreže prikazana je na IEEE ispitnom sustavu s 14 sabirnica.

U osmom poglavlju opisan je model optimalnog rasterećenja zasnovan na linearnom proračunu i sinkroniziranim mjerenjima fazora koji spada u drugu grupu mjera djelovanja NZS-a usmjerenih prema rasterećenju EES-a. Zadatak modela je ublažiti preopterećenje nastalo u prijenosnoj mreži optimizacijom potrošnje zasnovano na proračunu tokova snaga pojednostavljenog linearnog modela mreže, tzv. istosmjernog modela mreže. Provjera djelovanja modela optimalnog rasterećenja izvedena je na IEEE ispitnom sustavu s 14 sabirnica, a ispitivanja su utvrdila ispravnost djelovanja i iznimnu brzinu izvođenja razvijenog modela.

Deveto poglavlje prikazuje primjenu razvijenog modela optimalnog rasterećenja na primjeru dijela EES-a Hrvatske podsustava Istre. Detaljno je opisan raspad elektroenergetskog podsustava Istre koji se dogodio 12. srpnja 2012. godine. U cilju sprječavanja ponovnog nastanka opisanog događaja razvijen je model optimalnog rasterećenja NZS Istra te je provedena procjena sigurnosti dijela EES-a Hrvatske podsustava Istre u slučaju kad bi se koristila razvijena NZS-a.

U desetom poglavlju iznesena su zaključna razmatranja i popis postignutih izvornih znanstvenih doprinosa disertacije, pokazana moguća poboljšanja razvijenih modela te navedene smjernice za buduća istraživanja.

2. NAPREDNE ZAŠTITNE SCHEME PRIJENOSNE ELEKTROENERGETSKE MREŽE

Teorija izgradnje velikih EES-a u prošlosti se zasnivala na proizvodnji električne energije u velikim upravljivim elektranama te njezinom prijenosu i distribuciji do krajnjih korisnika koristeći prijenosne odnosno distribucijske mreže. Integracija promjenljive i nestalne proizvodnje električne energije ovisne o meteorološkim okolnostima iz vjetroelektrana i fotonaponskih elektrana, koje se priključuju na prijenosnu ili distribucijsku mrežu, obzirom na njihovu instaliranu snagu te promjene načina i strukture potrošnje električne energije nameću tehničko-ekonomske promjene u vođenju EES-a i tržišta električne energije [4].

Način vođenja EES-a na razini upravljačkih centara zasnovano na SCADA mjerenjima te na reakciji dispečera ovisno o pogonskom stanju sustava mogu dovesti do izvanrednih situacija kao i do ugrožavanja sigurnosti sustava u cjelini. Vođenje sustava zasnovano na naprednim tehnologijama omogućuje zaštitu cjelovitosti sustava i postizanje sigurnog pogona u uvjetima narušene ili upitne sigurnosti. Napredno vođenje prijenosnog EES-a podrazumijeva zajedničko napredno djelovanje, zasnovano na funkcijama nadzora, zaštite, upravljanja i mjerenja u svrhu očuvanja sigurnog stanja prijenosne mreže. Zahtjevi na brzinu djelovanja su ekstremni te je potrebno djelovati u stvarnom vremenu uz vrlo sigurno i pouzdano korištenje telekomunikacijskih mreža.

2.1. Liberalizacija elektroenergetskih sustava

Krajem 1980. godine, vlade Čilea i Ujedinjenog Kraljevstva suprotstavile su se donošenju odluka vezanih uz ekonomske aktivnosti njihovih monopolističkih EES-a te su svoje udjele prodale privatnim investitorima. Ujedinjeno Kraljevstvo je kasnije objavilo kako će monopolističke organizacije biti progresivno ukinute te kako će se od sada pa nadalje proizvođači i opskrbljivači električne energije morati međusobno natjecati kako bi prodali svoje proizvode i to sve pod nadležnosti državno dogovorene regulatorne agencije. Unutar razdoblja od dvije godine, države širom svijeta su pokrenule sličan proces liberalizacije. Prodali su udjele EES-a koje su posjedovali privatnim investitorima, ukinuli monopolističku vladavinu kako bi potpomogli razvoju konkurencije, redefinirali prijenosne i distribucijske mreže kao ustanove koje upravljaju razmjenom električne energije u tržišnim uvjetima

prodaje električne energije i osnovali nezavisne regulatorne agencije koje bi nadgledale proces trgovanja.

Ovaj proces liberalizacije je poprimio različite oblike na različitim mjestima. Još je uvelike u fazi razvoja, kako u teoriji, tako i u praksi. Neke države su prihvatile liberalizaciju u potpunosti dok se druge više drže tradicionalnijeg načina funkcioniranja sustava. Mnoge su još u fazi rezerviranosti kako bi moguće financijske i operativne probleme izbjegli u bilo kojem pogledu. Posebice u zemljama u razvoju, gdje javne financije ne mogu pokriti troškove investiranja u širenje sustava, liberalizacija se koristi kako bi privukla neophodne strane ulagače. No, rezultati su izmiješani i još se razvija najbolji način restrukturiranja EES-a. Neke od osnovnih pretpostavki liberalizacije su:

- uvođenje konkurencije, tržišta električne energije i ostalih tržišnih osobitosti,
- privlačenje privatnih investitora i poduzetnika,
- preusmjerenje regulacije kako bi se poboljšala ekonomska i socijalna situacija te briga za okoliš na račun održivosti.

Osnovna problematika liberalizacije je daleko kompliciranija s raznim oblicima nepovezanih inovacija u tehnologijama električne energije. Velike hidroelektrane, termoelektrane na ugljen i nuklearne elektrane se susreću s velikim problemima, financijskim i utjecaja na okoliš, što nadvija sive oblake iznad njihove budućnosti u daljnjem razvoju EES-a. Nužna tehnologija visokonaponskih nadzemnih prijenosnih vodova, koja proizlazi iz klasične ideje dislociranja proizvodnje električne energije od njenog iskorištavanja, sada susreće veliki otpor gdje god se stvori potreba za izgradnjom novog prijenosnog pravca. U kontekstu liberalizacije, inovativne napredne tehnologije prijenosnih mreža se razvijaju, pitanje je samo tko će snositi troškove za njihovo usavršavanje i izgradnju, što je još jedno od velikih pitanja budućnosti EES-a.

Klasične velike hidroelektrane, termoelektrane na ugljen ili nuklearne elektrane grade se i do 6 godina, a nakon toga moraju raditi i prodavati proizvedenu električnu energiju po određenoj cijeni barem 20 narednih godina kako bi povratili svoju investiciju. U kontekstu liberalizacije, jedna takva velika investicija postaje ozbiljno rizična, a rizik ne snose kupci električne energije već privatni investitori i poduzetnici.

Oslobođene usporavajućeg efekta kojeg je širio integrirani monopol, a pod stimulirajućim efektom liberalizacije, nove tehničke opcije naviru same od sebe. Neke od njih su:

- manje, čišće i fleksibilnije elektrane,
- prilagodljivije i svestrane elektroenergetske mreže,
- tehnologije krajnjih potrošača koje pružaju bolju učinkovitost,
- informacijsko komunikacijske tehnologije (ICT) koje omogućavaju trenutnu i dvosmjernu komunikaciju i prijenos cijelom mrežom kako bi se olakšalo njezino korištenje.

Kako nove napredne tehnologije ulaze u sustav tako on iz klasičnog centraliziranog sustava prelazi u napredni necentralizirani sustav, u tehničkom i institucionalnom pogledu. Centralizirano planiranje gubi svoj smisao i uloga sustava se mijenja. Njegova funkcija postaje ispunjavanje tržišno usmjerenih transakcija između sudionika sustava, uključujući proizvodnju i potrošnju.

Odredbe koje impliciraju takve prijelaze su zastrašujuće. Podrazumijevaju intenziviranje udara na EES-e koji su prvotno bili sagrađeni kao monopolistički integrirani sustavi. Također, neki tradicionalni interesi se neizbježno suprotstavljaju takvim promjenama. Države i regulatorne agencije moraju nastojati uskladiti učestale konflikte koji bi mogli nastati prilikom prijelaznog razdoblja, moraju stvoriti stabilne okvire prijenosa i distribucije električne energije, minimizirati poremećaje u sustavu i maksimizirati mogućnost približavanja održivim elektroenergetskim uslugama. U dijelovima svijeta gdje su klasični EES-i razvijeni i važni, izazov je smisliti električne odredbe koje će osvijetliti pitanja pouzdanosti, dostupnosti i održivosti. U Kini, Indiji i drugim zemljama u razvoju izazov za stvaraoce odredbi predstavlja zadovoljenje enormno rastuće potražnje i širenja područja djelovanja elektroenergetskih usluga bez nepromišljenih utjecaja na okoliš što predstavlja zastrašujuću dilemu odabira između klasičnog i naprednog EES-a.

Postavljaju se mnoga pitanja na koja tek treba dati odgovore. Hoće li tržište električnom energijom obaviti svoju funkciju i ukazati privatnim ulagačima na potrebne investicije? Hoće li te investicije biti učinkovite? Koji je oblik tržišta optimalan prema sadašnjim saznanjima? Kako je najbolje organizirati prodaju električne energije? Da li liberalizacija EES-a uopće ima smisla u malim zemljama u razvoju koje imaju samo jednu ili dvije proizvodne jedinice i ograničene mogućnosti spajanja s većim tržištima? Mnoge zemlje u razvoju, posebno u Africi, zaostaju za industrijaliziranim zemljama i za užurbanim ekonomijama koje liberaliziraju njihov EES. Ta činjenica bi mogla biti povoljna. Zemlje u razvoju imaju priliku provući se kroz fazu liberalizacije učeći iz primjera ostalih zemalja koje

provode liberalizaciju transformirajući svoj EES, ne samo na račun cijene električne energije, nego osiguravajući održivost elektroenergetskih usluga.

2.2. Koncept i zahtjevi na sustave naprednog vođenja prijenosne mreže

Sustavi naprednog vođenja prijenosne elektroenergetske mreže predstavljaju viziju prijenosnog EES-a budućnosti, odnosno inačicu EES-a koji je sposoban zadovoljiti i pružiti potporu novim odnosima i trendovima u sklopu liberaliziranog i dereguliranog tržišta električne energije. Podrazumijeva skup tehnoloških multidisciplinarnih elektrotehničkih rješenja, odnosno aktivnu infrastrukturu koja je sposobna podržati povećani prijenos i distribuciju električne energije implementacijom tehnologija koje omogućuju kvalitetan nadzor, zaštitu, upravljanje i mjerenje cjelokupnim prijenosnim EES-om. Jedan od ciljeva razvoja naprednog vođenja prijenosne elektroenergetske mreže je izgradnja sustava koji će, poštivanjem načela održivog razvoja i brige za okoliš, podržati i unaprijediti rast globalne ekonomije [5].

Napredno vođenje prijenosne elektroenergetske mreže treba integrirati sljedeće stavke:

- sposobnost samostalnog oporavka predviđanjem mogućih poremećaja i vraćanje u normalno pogonsko stanje korištenjem podataka u realnom vremenu,
- motivaciju sudionika prema aktivnom sudjelovanju u radu mreže,
- otpornost na poremećaje uzrokovane djelovanjem čovjeka ili prirode,
- povećanje kvalitete električne energije sa stajališta raspoloživosti i sigurnosti,
- implementaciju dostupnih mogućnosti proizvodnje i pohrane električne energije,
- pružanje potpore razvoju tržišta električne energije,
- efikasniji rad mreže uzevši u obzir trenutnu ponudu i potražnju na tržištu uz optimalno korištenje svih raspoloživih resursa.

Promatrano sa stajališta prijenosne elektroenergetske mreže ostvarenje koncepta naprednog vođenja imat će veliki utjecaj na raspoloživost i sigurnost cjelokupnog EES-a. Brojne su tehnologije i područja koja, u većoj ili manjoj mjeri, zahtijevaju istraživanje, razvoj i implementaciju. Neka od njih su upravljanje tokovima snage, integracija obnovljivih izvora energije, pohrana energije, direktno ili indirektno upravljanje teretom, sustavi relejne zaštite,

dijagnostički i informacijski alati te pohrana podataka. Izazovi pri pronalaženju rješenja pogodnih za implementaciju proizlaze iz velikih razmjera i dinamičke prirode samog EES-a. Sustavi povezani interkonekcijom spajaju stotine tisuća dijelova opreme i stotine ljudskih organizacija, prostiru se tisućama kilometara, a aktivnosti mogu trajati dio sekunde ili pak nekoliko godina.

Jedna od tehnologija koja može poduprijeti razvoj sustava naprednog vođenja prijenosne mreže je tehnologija sinkroniziranih mjerenja fazora. Navedena tehnologija razvijena je još u 1980-tim godinama [6], a nakon sve učestalijeg broja raspada EES-a u Sjedinjenim Američkim Državama i Europi početkom 21. stoljeća [7] intenzivirana je njezina primjena. U radu [8] prikazana je primjena tehnologije sinkroniziranih mjerenja fazora kod izrade dinamičkog matematičkog modela hidroelektrane. Širina primjene tehnologije sinkroniziranih mjerenja fazora ubrzano se razvija od početnih primjena prilikom nadzora spajanja velikih dijelova međusobno asinkronih sustava u jednu interkonekciju do današnjih primjena u funkcijama naprednog vođenja EES-a.

Napredna zaštita i vođenje na razini EES-a uključuje korištenje kompleksnog sustava razmjena informacija kako bi se spriječila odnosno neutralizirala širenja velikih poremećaja. Osnova sustava naprednog vođenja prijenosne mreže opisanog u ovoj disertaciji je tehnologija sinkroniziranih mjerenja fazora osnovnih električnih veličina EES-a, koja se počela primjenjivati u skladu s ubrzanom razvojem informacijsko komunikacijskih tehnologija te NZS-a.

Osmišljavanje i implementacija koncepta naprednog vođenja prijenosnih elektroenergetskih mreža proizašla je iz potrebe za razvojem sustava koji će u budućnosti smanjiti broj katastrofalnih prekida opskrbe električnom energijom širokih razmjera i općenito poboljšati pouzdanost i sigurnost proizvodnje, prijenosa i distribucije električne energije u novim tržišnim uvjetima funkcioniranja EES-a.

Uzrok raspada EES-a, posebice velikih i rijetkih prekida opskrbe električnom energijom, obično je pojava kombinacije niza međusobno povezanih događaja. Takva kombinacija predstavlja vrlo malu vjerojatnost, ali ponekad i ne nizak rizik te uključuje lanac velikog broja kaskadnih sljedova događaja [9]. Niz događaja najčešće se ne odvija po uređenom principu, pojavljuje se u nepredvidivom redosljedu i teško ga je proračunati odnosno predvidjeti čak i korištenjem današnjih modernih i snažnih računala. Neočekivano djelovanje ljudskog faktora može izazvati lavinu još većih kaskadnih ispada i progresivno izazvati nestabilnosti do točke kada se posljedice tih događaja više ne mogu zadržati u

granicama vlastitog dijela sustava. Ponekad vrlo maleni i prvotno bezazleni poremećaji mogu biti dodatno potpomognuti lancem nenamjernih događaja što može dovesti do poremećaja na razini čitavog EES-a.

U slabije opterećenim sustavima moguće je smanjiti odnosno otkloniti nestabilnosti odvajanjem sustava od dijela zahvaćenog poremećajem u samostalno funkcionirajuće energetske otoke. Ukoliko se u pravo vrijeme ne poduzmu prave mjere sustav se može kaskadno raspasti i odvojiti u neplanirane energetske otoke, ili još gore, doživjeti potpuni kolaps. Zanemarujući nisku vjerojatnost, visoko rizični poremećaji zahtijevaju detaljno razrađene NZS-e i hitno upravljanje na razini cijelog EES-a. Takve sheme moraju biti kvalitetno usmjerene prateći jasne ciljeve, pritom zahtijevajući izvanrednu koordinaciju postojeće zaštitne i upravljačke opreme.

Primarni cilj trebao bi biti očuvanje integriteta EES-a razvijajući jednostavne, pouzdane i sigurne automatske sheme opremljene najvišom razumnom razinom prilagodljivosti uvjetima sustava koji ponekad mogu razviti sasvim drugačiji lanac događaja od očekivanog.

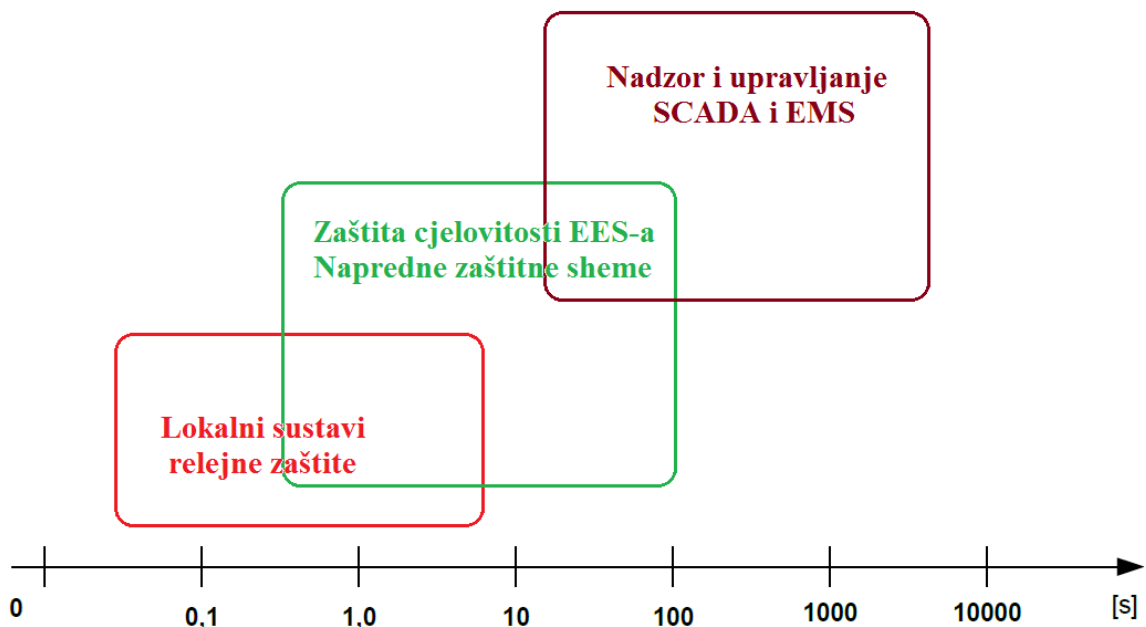
Poduzimanje aktivnosti na temelju unaprijed analiziranih i proračunatih varijanti možda neće uvijek biti dovoljno za održavanje sustava sigurnim. U takvim slučajevima, potrebno je posegnuti za drugom skupinom metoda djelovanja temeljenih na mjerenjima u stvarnom vremenu nakon kojih se vrše određeni algoritmi i poduzimaju aktivnosti. Izbor korištenja algoritma ovisi o raspoloživom vremenu za reakciju. Koncept naprednog vođenja prijenosnih elektroenergetskih mreža može se koristiti kao platforma za fleksibilnije odnosno prilagodljivije strategije detekcije i upravljanja kako bi se postigao što bolji nadzor nad poremećajima i omogućila što veća prijenosna moć sustava.

Na temelju moderne arhitekture sustava moguće je primijeniti strategije napredne prilagodljive zaštite i upravljanja kroz razvoj i primjenu novih analitičkih alata te postupaka opsežnog istraživanja. U prošlosti je implementacija stvarnih zaštitnih i hitnih upravljačkih shema na razini EES-a, onih shema koje mijenjaju značenje pojma „u stvarnom vremenu“ na višu razinu, bila gotovo nemoguća s obzirom na vrlo visoku cijenu i ograničene performanse temeljne infrastrukture. Napredak tehnologije u posljednjih nekoliko godina uvelike je promijenio okolnosti i mogućnost razvoja takvih sustava. Troškovi vezani uz implementaciju tehnologije sinkroniziranih mjerenja fazora, računala za prikupljanje sinkroniziranih fazora (PDC), uređaja za sinkronizirano mjerenje fazora (PMU) te iznimno brzih komunikacijskih

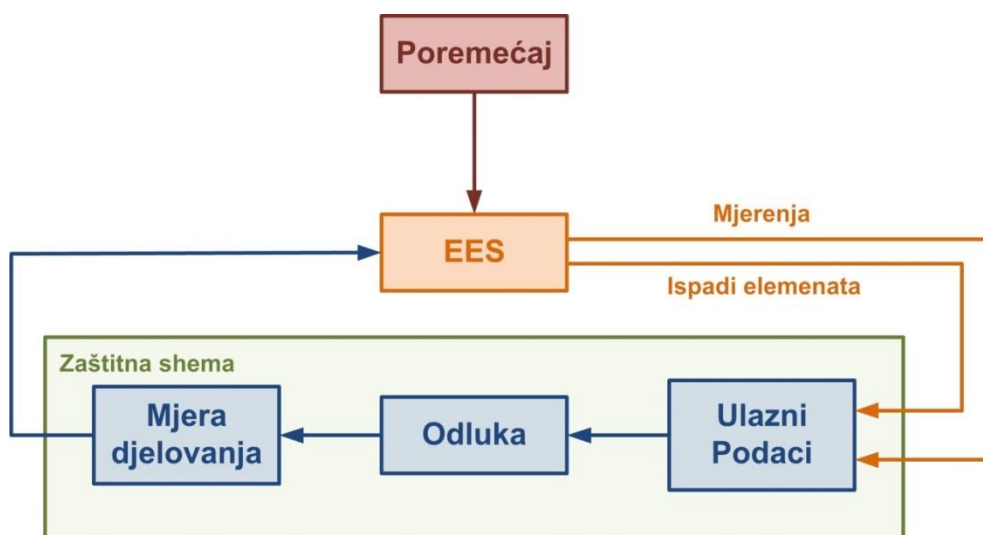
kanala sa zadovoljavajućom razinom propusnosti podataka spustili su se na prihvatljiv nivo te samim time omogućili daljnji razvoj primjene takvih tehnologija [10].

2.3. Razvoj naprednih zaštitnih shema

Primarna funkcija konvencionalnih lokalnih sustava relejne zaštite je štititi pojedine elemente EES-a kao što su primjerice transformatori, vodovi, generatori ili sabirnice. Njihovo djelovanje je isključivo lokalno čime je onemogućena međusobna koordinacija između ostalih jednakovrijednih sustava relejne zaštite na širem području. Manjak međusobne koordinacije između lokalnih sustava relejne zaštite na širem području može ugroziti sigurnost rada prijenosne elektroenergetske mreže. Zbog navedenih razloga u specifičnim situacijama potrebno je koristiti sustave koji će obuhvatiti šire područje i uzeti u obzir međusobnu koordinaciju između lokalnih sustava relejne zaštite. Sustavi koji služe sprječavanju poremećaja na širokom području i minimiziranju njihovih posljedica nazivaju se sustavima zaštite cjelovitosti. Obzirom na razinu poremećaja koje obuhvaćaju, njihovo vrijeme djelovanja može biti od nekoliko milisekundi do nekoliko minuta. Sustavi zaštite cjelovitosti se svojim djelovanjem funkcionalno smještaju između djelovanja konvencionalnih lokalnih sustava relejne zaštite i djelovanja SCADA sustava (slika 2.1). Principi na temelju kojih sustavi zaštite cjelovitosti djeluju na EES nazivaju se zaštitnim shemama (slika 2.2).



Slika 2.1 Vremensko djelovanje sustav vođenja



Slika 2.2 Princip rada zaštitne sheme

Zaštitne sheme dizajnirane su kako bi štitile EES u cjelini dok su sustavi lokalnih relejnih zaštita orijentirani šticeanju pojedinog elementa sustava. Sljedeća razlika je činjenica kako su zaštitne sheme dizajnirane po mjeri sustava kojeg štite. To znači kako sheme savršeno odgovaraju uvjetima, sklonostima i namjeni njihovih korisnika. Ne postoje standardni dizajni zaštitnih shema. Doduše, mogu se dizajnirati smjernice i minimalni zahtjevi na zaštitne sheme koji se moraju uzeti u obzir u fazi njihovih planiranja. Zaštitne sheme temelje se na konceptu prikupljanja informacija iz udaljenih stanica, slanju navedenih informacija procesnoj jedinici u centru koja provodi algoritam za donošenje odluka i pokreće specijalizirane mjere djelovanja kako bi se spriječilo širenje velikih poremećaj u sustavu [11].

Godine 1996. objavljeno je izvješće o posebnim zaštitnim shemama (SPS) od strane kombinirane IEEE/CIGRE radne skupine [12]. U izvješće je uvršteno preko 100 zaštitnih shema korištenih širom svijeta te je utvrđeno kako se takve sheme ne mogu više nazivati posebne pošto ih mnogi sudionici koriste. Na temelju navedenog predlaže se općenitiji naziv sheme zaštite cjelovitosti sustava (SIPS) ili sheme brze pomoći (RAS).

Posebne zaštitne sheme definirane su u [12] kao sheme dizajnirane za prepoznavanje posebnih događaja koji uzrokuju neuobičajene probleme u radu EES-a te poduzimanje naprednih predefiniranih mjera koje će neutralizirati zabilježene događaje.

Mjere djelovanja posebnih sustava zaštite utječu na široko područje EES-a. Cjelovitost EES-a oslanja se na djelovanje posebnih zaštitnih shema koje prikupljaju podatke iz različitih dijelova sustava, analiziraju ih te prepoznaju poremećaj u sustavu koji ne mogu uočiti primarne ili rezervne lokalne zaštite [13].

Iako sustavi zaštite cjelovitosti mogu pomoći u boljem iskorištavanju prijenosnih kapaciteta mreže, njihov primarni zadatak je osigurati sigurnost i zaštitu šireg dijela prijenosne elektroenergetske mreže. U nastavku teksta navedene su neke od funkcija koje sustavi zaštite cjelovitosti mogu obavljati:

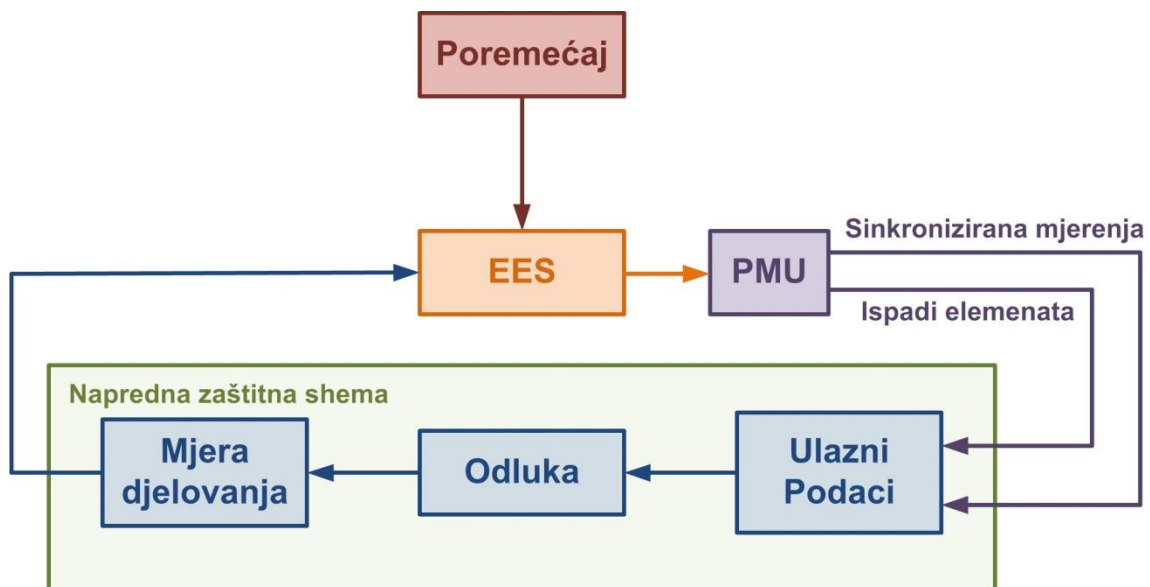
- ublažavanje preopterećenja,
- ublažavanje zagušenja,
- razdvajanje sabirničkih sustava,
- smanjenje proizvodnje,
- podfrekvencijsko rasterećenje,
- podnaponsko rasterećenje,
- zaštita od ispada iz sinkronizma,
- prilagodljivo smanjenje tereta,
- zaštita od nestabilnosti napona,
- zaštita od kutne nestabilnosti,
- odvajanje sustava,
- uključivanje paralelno vezanog kondenzatora,
- upravljanje regulacijskim preklopkama transformatora,
- upravljanje kompenzacijom jalove energije,
- upravljanje turbinskom regulacijom,
- upravljanje istosmjernim prijenosom električne energije,
- crni start.

Godine 2010. objavljeno je izvješće o iskustvima u primjeni shema zaštite cjelovitosti sustava [14]. Prema izvješću zaštita cjelovitosti sustava bavi se problematikom zagušenja, termičkog preopterećenja, naponske, frekvencijske i kutne nestabilnosti te se navedena problematika rješava primjenom zaštitnih shema. U sklopu disertacije detaljnije su analizirana područja razdvajanja sabirničkih sustava te ublažavanja preopterećenja i zagušenja prikazanih na slici 2.3.



Slika 2.3 Dio funkcija zaštite cjelovitosti sustava

Zaštita cjelovitosti prijenosne elektroenergetske mreže zasnovana na konceptu NZS-a pripada u skupinu posebnih zaštita čije djelovanje na cjelokupni prijenosni EES može biti automatizirano. Za to je potrebno ostvariti posebno sklopovlje i programsku podršku koju nije moguće naći na tržištu kao gotov proizvod. Ulazni parametri za uspostavu zaštite cjelovitosti prijenosne elektroenergetske mreže opisane ovom disertacijom su sinkronizirana mjerenja fazora napona i struje, dobivena od strane uređaja za sinkronizirano mjerenje kao što je prikazano na slici 2.4. Tehnologija sinkroniziranih mjerenja fazora je priznata tehnologija korištena u uspostavi naprednih prijenosnih elektroenergetskih mreža širom svijeta.



Slika 2.4 Napredna zaštitna shema zasnovana na sinkroniziranim mjerenjima

Zadatak NZS-a je sprječavanje širenja poremećaja uzrokovanih neplaniranim događajima u mreži na širem području. NZS-e djeluju na temelju unaprijed određenih naprednih mjera ublažavanja poremećaja ovisnih o uvjetima u mreži.

Postoje dvije osnovne grupe kriterija za pokretanje NZS-a:

- pokretanje na temelju događaja kao što je ispad nekog voda ili generatora, poduzimaju se brze predefinirane mjere i
- pokretanje na temelju mjerenja karakterizira malo sporije djelovanje od djelovanja na temelju događaja, pri čemu se čeka promjena osnovnih fizikalnih veličina kao što su napon, struja ili frekvencija kako bi se poduzele mjere.

U nastavku su navedeni neki od karakterističnih primjera korištenja NZS-a.

U radu [15] diskutira se o nužnosti korištenja shema zaštite cjelovitosti u EES-u Indije te je pružen kratki opis razvijenih osnovnih zaštitnih shema u sjevernom području EES-a Indije. Rad sadrži primjere djelovanja zaštitnih shema te točno vrijeme i datume njihovih pokretanja. U radu se navodi kako će buduća istraživanja biti usmjerena k razvoju upravljanja širim dijelom EES-a korištenjem zaštitnih shema podržanih tehnologijom sinkroniziranih mjerenja fazora.

Rad [16] u svom uvodnom dijelu ističe potrebu korištenja shema zaštite cjelovitosti sustava te daje zahtjeve na njihovu izvedbu u zapadnom koordinacijskom vijeću za električnu energiju (WECC). Potom opisuje arhitekturu sustava zaštite cjelovitosti koja je proizašla iz definiranih zahtjeva te principe postupnog uvođenja i ispitivanja zaštitnih shema i cijelog sustava. U radu su također prezentirana stvarna djelovanja opisanih zaštitnih shema uključujući i njihova vremenska ispitivanja. Završni dio rada usmjeren je diskusiji o željenim poboljšanjima arhitekture sustava zaštite cjelovitosti i o novim mogućnostima upotrebe standarda IEC 61850 po pitanju slanja naloga iz nadležnog centra u stanice korištenjem GOOSE poruka, virtualnih mreža i metode dodjeljivanja prioriteta porukama.

Izveštaj [17] pruža uvodni pregled tematike zaštite cjelovitosti EES-a, ističe neke od zaštitnih shema korištenih na području Australije i diskutira potencijalna buduća istraživanja vezana uz razvoj NZS-a na području Novog Zelanda u svrhu boljeg iskorištavanja prijenosnih kapaciteta prijenosne mreže.

Rad [18] opisuje metodu procjene sigurnosti rada promatranog dijela sustava u slučaju razvoja neuobičajenih događaja koji uključuju višestruke ispade elemenata, poznatih

kao N - M procjene sigurnosti gdje je N ukupni broj elemenata priključenih u mreži, a M broj isključenih elemenata. Također pruža pregled korištenih zaštitnih shema u EES-u Norveške kao i primjer studije procjene sigurnosti rada mreže izvedenu na IEEE ispitnom sustavu 1996. Prikazana studija uspoređuje konvencionalne lokalne zaštitne sheme i NZS-e podržane tehnologijom sinkroniziranih mjerenja fazora na širokom području.

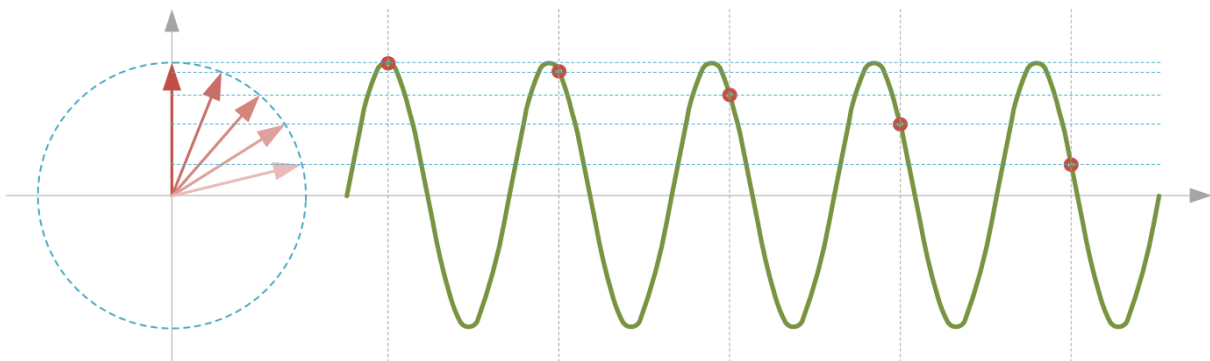
Rad [19] analizira algoritme procjene fazora u uređajima za sinkronizirano mjerenje s osvrtom na korištenje sinkroniziranih fazora za potrebe zaštitnih funkcija u sklopu sustava za nadzor, zaštitu i upravljanje šireg dijela EES-a (WAMPAC).

U radu [20] prikazana je arhitektura moguće primjene tehnologije sinkroniziranih mjerenja fazora u obliku prilagodljive podfrekvencijske zaštite, napredne zaštite od preopterećenja ili napredne zaštite od zatajenja prekidača.

Rad [21] opisuje primjenu sinkroniziranih mjerenja fazora u cilju podešenja funkcije provjere sinkronizma kod uključanja elemenata prijenosne mreže. Analiziran je dio EES-a Hrvatske u okolini transformatorske stanice Krk te je izrađen prijedlog ugradnje uređaja za sinkronizirano mjerenje kako bi se potvrdio korišteni model mreže.

3. TEHNOLOGIJA SINKRONIZIRANIH MJERENJA FAZORA

Osnova svakog sustava temeljenog na tehnologiji sinkroniziranih mjerenja fazora je uređaj koji mjeri sinkronizirane fazore. Navedeni uređaj je uređaj koji mjeri električne veličine EES-a koristeći zajednički izvor vremena za sinkronizaciju i procjenjuje ih u obliku fazora. Fazori, odnosno fazni vektori, su opisani kao vektori koji se vrte oko svojeg ishodišta kompleksne ravnine, a određeni su svojim iznosom, frekvencijom i faznim pomakom (slika 3.1). Jedinstveni izvor vremena omogućava sinkronizaciju podataka u stvarnom vremenu s više udaljenih mjernih točaka u sustavu. Globalni sustav pozicioniranja (GPS) je trenutno izabrana tehnologija koji uređaju za mjerenje fazora pruža informaciju o točnom vremenu. Sinkronizirani uređaji za mjerenje fazora se u elektroenergetici smatraju jednim od najvažnijih naprednih mjernih uređaja budućnosti EES-a. Uređaj za sinkronizirano mjerenje fazora može biti samostalni uređaj ili se može koristiti kao jedinstvena funkcija u uređaju relejne zaštite ili u nekom drugom uređaju slične namjene. O tehnologiji sinkroniziranih mjerenja fazora postoji mnogo dostupne literature od kojih je zasigurno jedna od bitnijih knjiga A.G. Phadkea i J.S. Thorpa, začetnika navedene tehnologije [6].



Slika 3.1 Prikaz načela procjene fazora u odnosu na vremenski signal

3.1. Povijesni pregled razvoja tehnologije sinkroniziranih mjerenja fazora

Godine 1893. Charles Proteus Steinmetz predstavio je rad u kojem je na pojednostavljeni način opisao električne sinusoidne valne oblike izmjenične struje. Steinmetz je nazvao svoje prikaze fazorima [22]. Zbog jednostavnosti proračuna uobičajeno se zanemaruje veličina frekvencije iz matematičkih razmatranja pod pretpostavkom kako njena veličina teži konstantnoj vrijednosti, odnosno sporije se mijenja od iznosa i faznog pomaka fazora.

Tehnologija sinkroniziranih mjerenja fazora počela se razvijati usporedno razvoju numeričkih uređaja relejne zaštite i njihovih zaštitnih algoritama 1970-tih godina zahvaljujući iznimno brzom razvoju računalnih tehnologija kojima svjedočimo i do današnjeg dana. Prvi pokušaji razvoja zaštitnih algoritama numeričkih uređaja relejne zaštite ukazali su na probleme s procesorskim resursima. Tadašnja računalna tehnologija nije mogla zadovoljiti brzinu izvođenja zaštitnih algoritama. Iz navedenih razloga bilo je potrebno razviti brže i naprednije zaštitne algoritme. Godine 1977. objavljeni su algoritmi temeljeni na sustavu simetričnih komponenti koji se djelomično vežu i na radove Charles Proteus Steinmetza od prije stotinjak godina [23]. Navedeni algoritmi temeljeni na simetričnim komponentama direktnog, inverznog i nultog sustava ubrzo su pokazali svu svoju širinu primjene u zaštitnim algoritmima i može se reći kako su upravo oni poticaj začetka moderne primjene tehnologije sinkroniziranih mjerenja fazora. Prvi prototip uređaja za sinkronizirano mjerenje fazora razvili su Arun G. Phadke i James S. Thorp s Politehničkog instituta i državnog Sveučilišta u Virginiji u ranim 1980-tim godinama. Prvi komercijalni uređaj za sinkronizirano mjerenje fazora postao je dostupan 1991. godine, a proizvela ga je tvrtka Macrodyne u suradnji s Politehničkim institutom i državnim sveučilištem u Virginiji (slika 3.2).



Slika 3.2 Uređaj za sinkronizirano mjerenje fazora proizvođača Macrodyne, model 1690 (izvor slike: http://www.macrodyneusa.com/model_1690.htm, pristupljeno 16. travnja 2019.)

Uz razvoj uređaja za sinkronizirana mjerenja fazora paralelno se razvijao i standard koji definira koje podatke mora slati uređaj i na koji način se podaci moraju slati prema centralnim poslužiteljima. IEEE je izdao prvu verziju standarda 1995. godine pod oznakom

IEEE 1344-1995 [24], a 2005. godine i njegovu drugu verziju pod oznakom IEEE C37.118-2005 [25]. Godine 2011. ponovno je objavljena nova verzija standarda, ovaj put razdvojena u dva dijela. Prvi dio koji se odnosi na način mjerenja i procjene fazora u statičkim i dinamičkim uvjetima izdan je pod oznakom IEEE C37.118.1-2011 [26], a drugi dio koji se odnosi na komunikacijske značajke i način prijenosa podataka izdan je pod oznakom IEEE C37.118.2-2011 [27]. Godine 2018. objavljena je nova verzija standarda pod oznakom IEEE 60255-118-1-2018 [28], koja nasljeđuje dotadašnji standard IEEE C37.118.1-2011. Može se reći kako je tehnologija sinkroniziranih mjerenja uspješno doživjela svoju punoljetnost i kako je većina modernih EES-a cijelog svijeta prepoznala njezine mogućnosti te su nakon procesa njezine ugradnje prešle u fazu razvijanja primjena na područjima nadzora, upravljanja i zaštite šireg dijela EES-a.

3.2. Fazorski prikaz sinusoide

Zamislimo čistu sinusnu periodičku funkciju definiranu sljedećim izrazom:

$$f(t) = A \cos(\omega t + \varphi) \quad (3.1)$$

gdje je:

A – amplituda, najveća i najmanja vrijednost koju funkcija može poprimiti,

ω – kutna brzina izražena u radijanima po sekundi,

φ – fazni pomak izražen u radijanima.

Kutna brzina definirana je sljedećim izrazom:

$$\omega = 2 \Pi f \quad (3.2)$$

gdje je:

f – frekvencija izražena u hercima.

Frekvencija je definirana sljedećim izrazom:

$$f = 1/T \quad (3.3)$$

gdje je:

T – vrijeme periode vremenskog signala izraženo u sekundama.

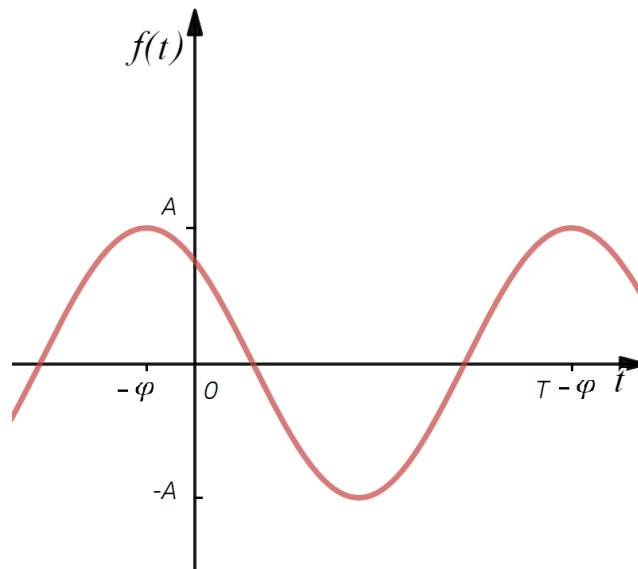
Izraz (3.1) može se prikazati u sljedećem obliku:

$$f(t) = \text{Re}\{Ae^{j(\omega t + \varphi)}\} = \text{Re}\{e^{j\omega t} A e^{j\varphi}\} \quad (3.4)$$

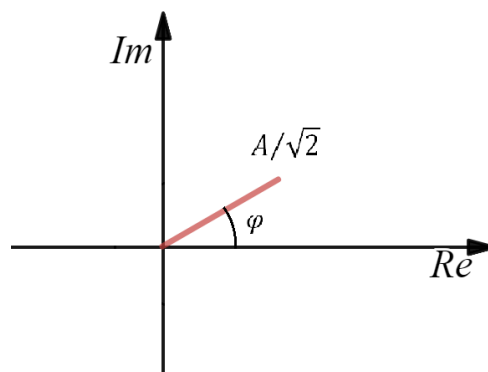
Kod transformacije vremenske funkcije u fazorsku veličinu uobičajeno je pretpostaviti poznatu frekvenciju sustava bilo da se radi o procjeni konstantne vrijednosti ili o stvarnoj mjerenoj vrijednosti. Na taj način dio $e^{j\omega t}$ se može ukloniti iz navedenog izraza u cilju pojednostavljenja matematičkog opisa fazora. Tako opisana sinusna funkcija može se prikazati u kompleksnoj domeni kao veličina F poznata upravo kao njezin fazor prema sljedećem izrazu:

$$f(t) \leftrightarrow F = (A/\sqrt{2})e^{j\varphi} = (A/\sqrt{2})(\cos \varphi + j \sin \varphi) \quad (3.5)$$

Veličina $(A/\sqrt{2})$ odgovara efektivnoj vrijednosti zadane sinusne funkcije. Grafički prikaz funkcije $f(t)$ dan je na slici 3.3, a njezin fazor F u kompleksnoj ravnini dan je na slici 3.4.



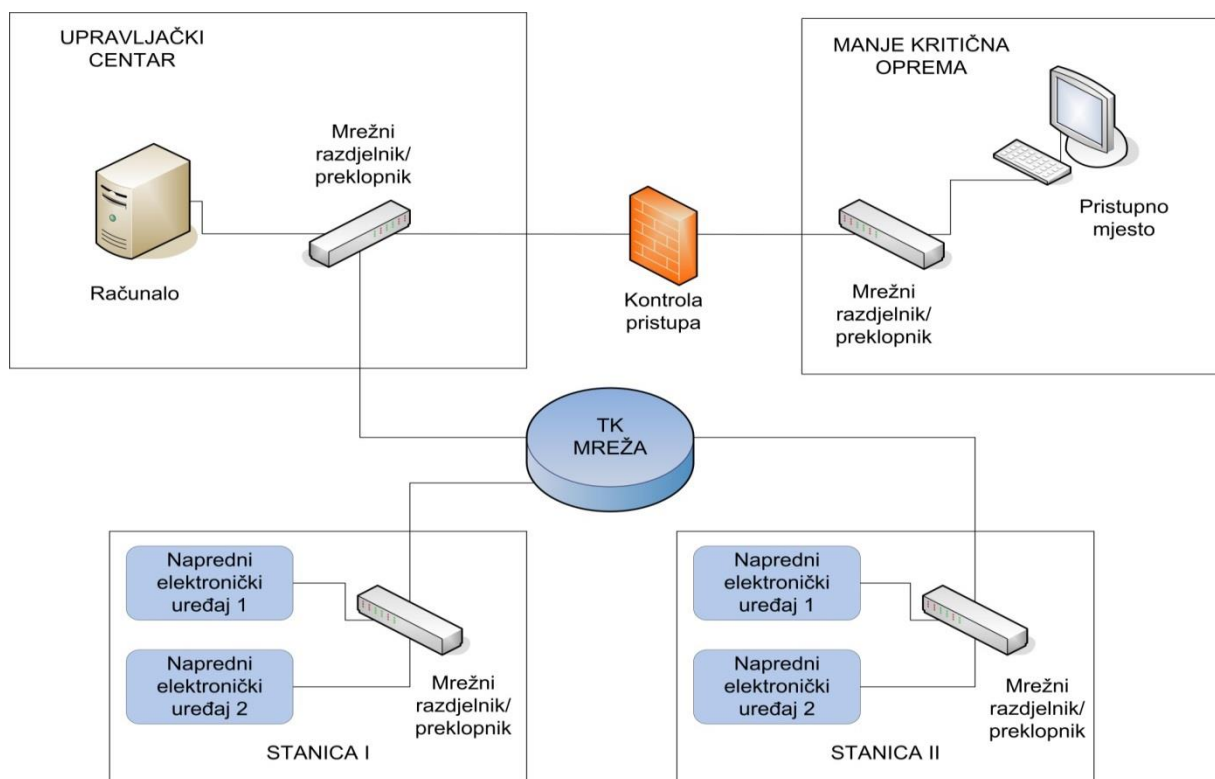
Slika 3.3 Grafički prikaz funkcije $f(t)$



Slika 3.4 Grafički prikaz fazor F u kompleksnoj ravnini

3.3. Arhitektura sustava zaštite cjelovitosti zasnovane na sinkroniziranim mjerenjima fazora

Sustavi zaštite cjelovitosti prijenosne mreže zahtijevaju korištenje tehnologije koja može u stvarnom vremenu upravljati velikom količinom podataka. Jedna od tehnologija koja omogućava razvoj zaštite cjelovitosti prijenosnog sustava je tehnologija sinkroniziranih mjerenja fazora. Sustavi temeljeni na tehnologiji sinkroniziranih mjerenja fazora sastoje se od dijela opreme koja se ugrađuje u određenom upravljačkom centru i dijela opreme koja se ugrađuje u željene točke sustava. U upravljačkom centru ugrađuje se računalo visoke raspoloživosti i pouzdanosti, a u željene točke sustava ugrađuju se napredni elektronički uređaji za sinkronizirano mjerenje. Svaki od naprednih elektroničkih uređaja povezuje se telekomunikacijskom mrežom s računalom ugrađenim u upravljačkom centru. Tako osmišljen sustav u mogućnosti je donositi napredne odluke te očuvati stabilnost i integritet nadziranog dijela sustava. Primjer arhitekture sustava zaštite cjelovitosti na dijelu prijenosne elektroenergetske mreže Hrvatske u nadležnosti prijenosnog područja Rijeka prikazan je u radu [29]. Slika 3.5 prikazuje načelnu shemu arhitekture sustava zaštite cjelovitosti zasnovane na sinkroniziranim mjerenjima fazora.

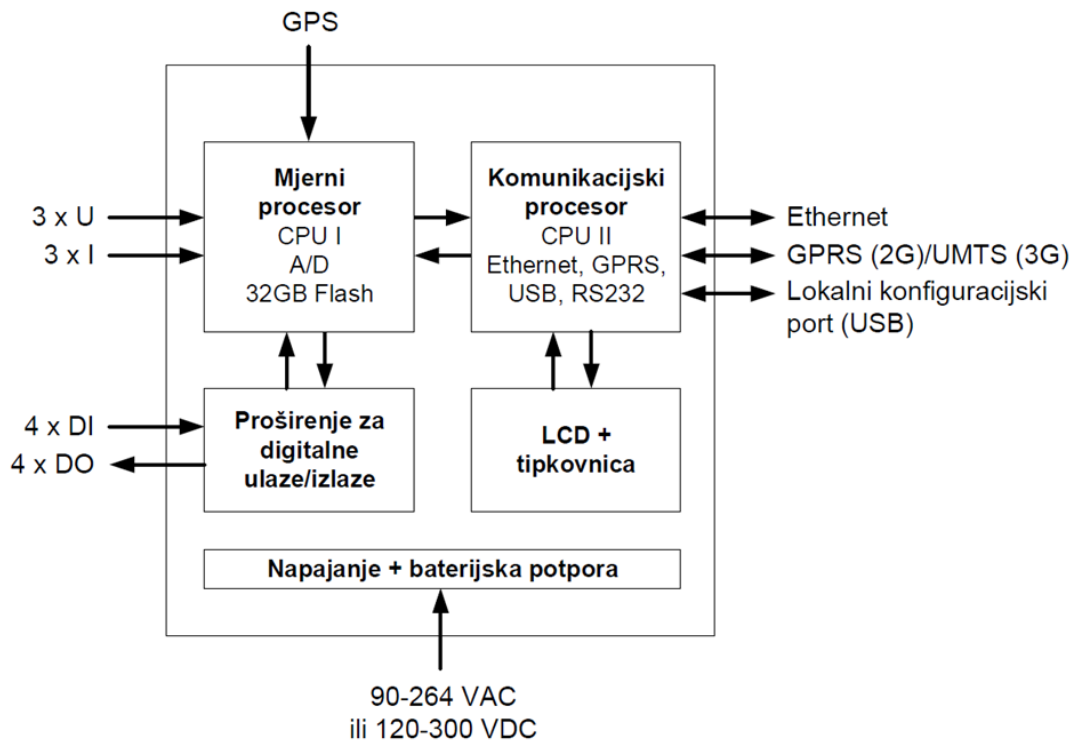


Slika 3.5 Arhitektura sustava zaštite cjelovitosti zasnovana na sinkroniziranim mjerenjima fazora

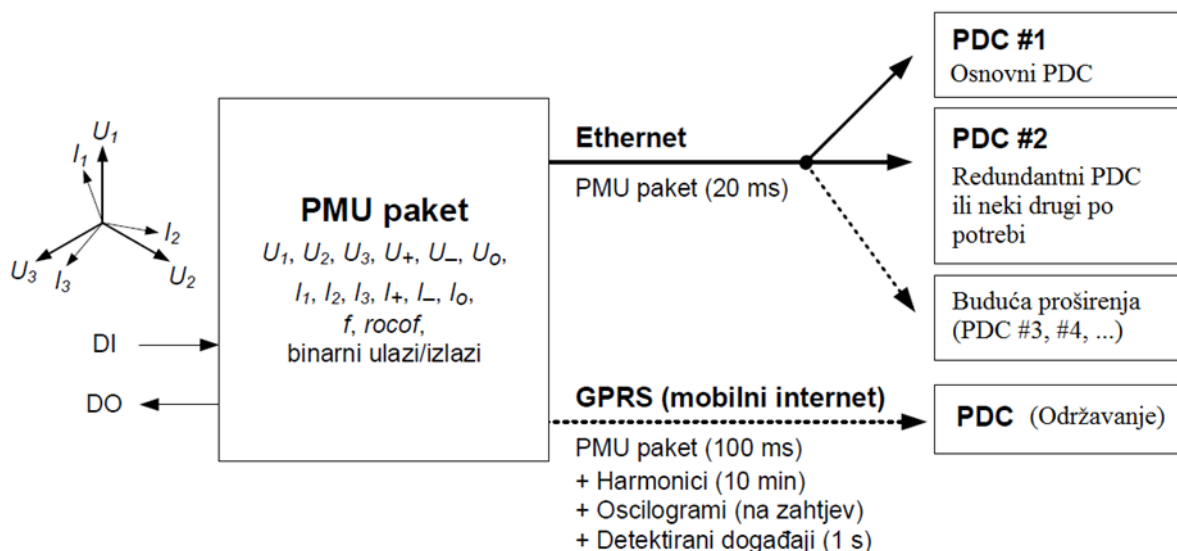
Računalo ugrađeno u upravljačkom centru ili koncentrador fazorskih podataka u svojoj početnoj primjeni koristi se kao računalo za prikupljanje i poravnavanje primljenih fazorskih podataka. Osim prikupljanja i poravnavanja fazorskih podataka može se koristiti i prilikom nadzora tokova snaga i naponskih prilika u mreži u stvarnom vremenu. Pomoću njega mogu se analizirati poremećaji na širokom području, unaprijediti modeli procjene stanja ili arhivirati podaci o radu sustava za potrebe naknadnih analiza. Za sada nije zamišljen kao sredstvo za izvršavanje algoritama ili slanja upravljačkih naloga prema postrojenju, ali postoji neosporna potreba za takvom primjenom kao što je prikazano u radu [30].

3.4. Iskustva sa sinkroniziranim mjerenjima fazora u Hrvatskoj

Hrvatski operator prijenosnog sustava (HOPS) ima višegodišnje iskustvo u radu s nadzorom šireg dijela EES-a (WAM). Jezgra WAM sustava u Hrvatskoj uključena je u rad 2003. godine te se od tada sustav proširuje i nadograđuje novim funkcionalnostima. Osnovu svakog WAM sustava čine PMU uređaji. Na svijetu postoje različiti proizvođači PMU uređaja. Neki proizvođači nude rješenja PMU uređaja kao samostalnih jedinica dok drugi nude PMU funkcionalnost unutar već razvijenih elektroničkih uređaja za upravljanje, zaštitu i mjerenja EES-a. Na slici 3.6 prikazana je sklopovska blok shema modernog PMU uređaja, a na slici 3.7 blok shema njegove komunikacijske povezanosti [31].

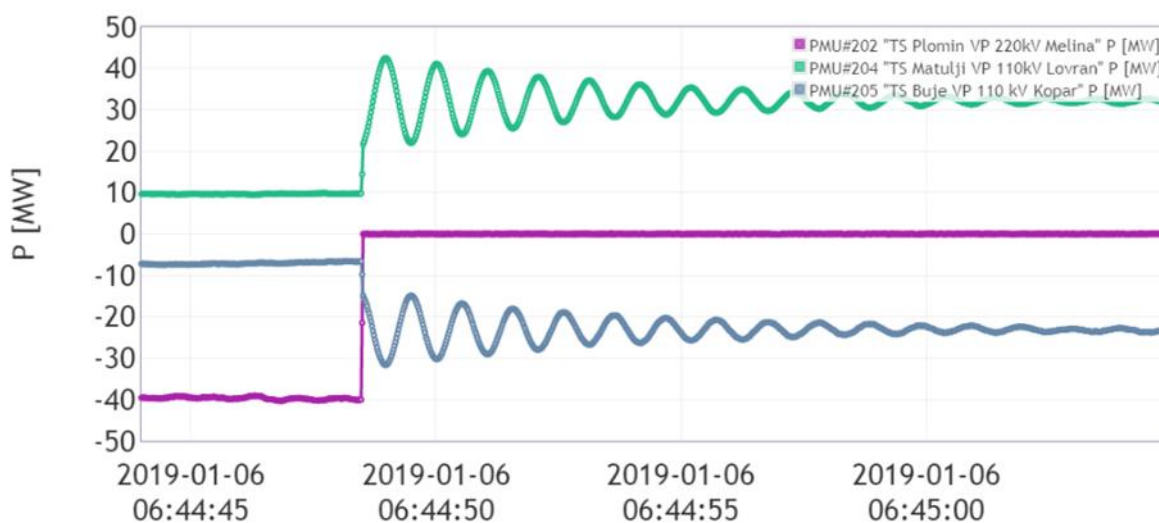


Slika 3.6 Sklopovska blok shema modernog PMU uređaja

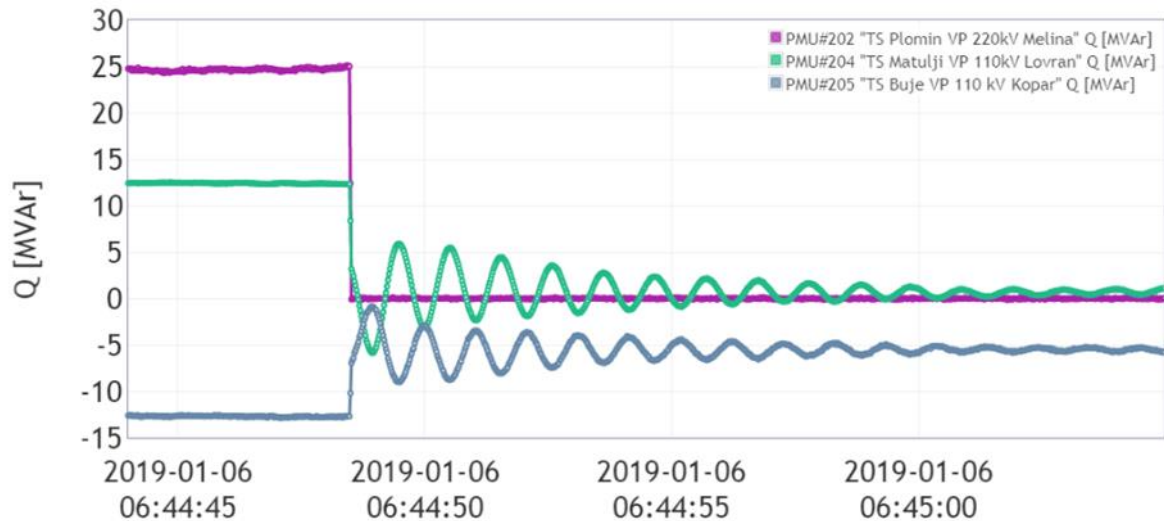


Slika 3.7 Mogućnosti komunikacijske povezanosti modernog PMU uređaja

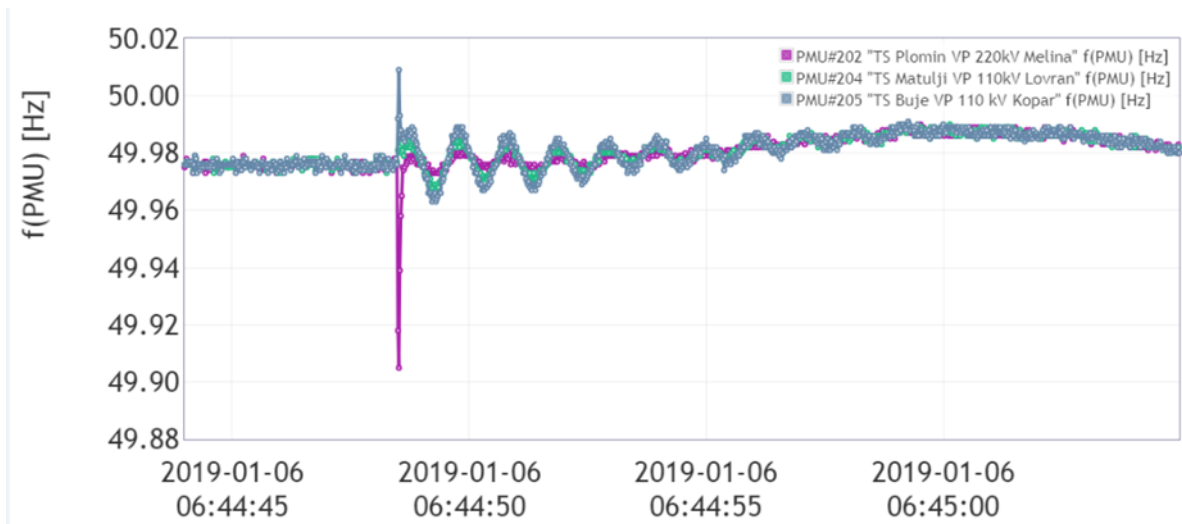
Primjer primjene sinkroniziranih mjerenja fazora prilikom analize dinamičkih pojava EES-a prikazana je u nastavku. Analizirano je isključenje DV 220 kV Melina-Plomin, a snimljeni odzivi na uređajima ugrađenim u TS Plomin – VP 220 kV Melina, TS Matulji – VP 110 kV Lovran i TS Buje – VP 110 kV Kopar prikazani su na slikama u nastavku. Slika 3.8 prikazuje djelatnu snagu na dalekovodima koji povezuju podsustav Istre, slika 3.9 jalovu snagu, a slika 3.10 snimljeni odziv frekvencije u mjerenim točkama EES-a. Prilikom isključenja DV 220 kV Melina-Plomin može se primijetiti nastanak prigušene oscilatorne pojave s početnom amplitudom od oko 20MW radne snage i 15 Mvar jalove snage te vremenom trajanja pojave od 15 sekundi.



Slika 3.8 Djelatna snaga prilikom isključenja DV 220 kV Plomin-Melina



Slika 3.9 Jalova snaga prilikom isključenja DV 220 kV Plomin-Melina



Slika 3.10 Frekvencija u mjerenim točkama EES-a prilikom isključenja DV 220 kV Plomin-Melina

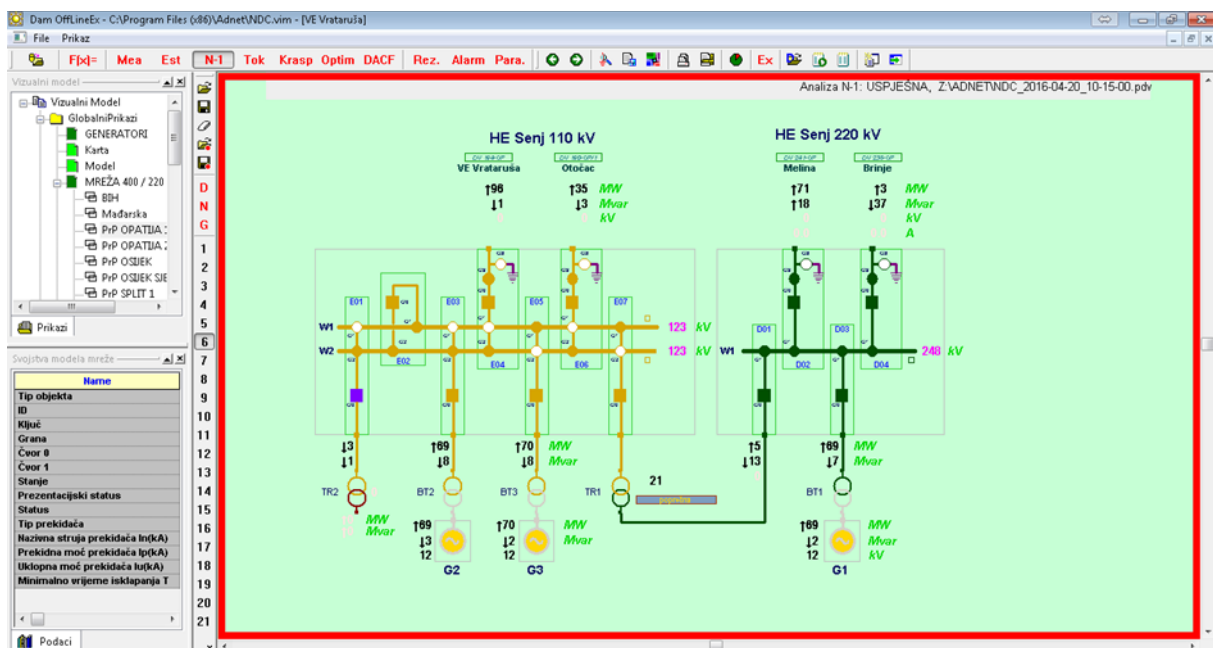
3.5. Primjer analize rada mreže u stvarnom vremenu primjenom sinkroniziranih mjerenja fazora

Kako bi se potvrdila očekivanja oko ponašanja sustava u elektroenergetskoj okolini HE Senj nakon ugradnje i stavljanja u pogon novog autotransformatora s kosom regulacijom 2016. godine, organizirano je provođenje primarnih ispitivanja funkcionalnosti mrežnog regulacijskog transformatora 220/110 kV u TS Senj, uključujući uzdužnu i kosu regulaciju u stvarnim pogonskim uvjetima. Potrebna mjerenja dobivena su iz više različitih izvora, a jedan od izvora su bili PMU uređaji ugrađeni za potrebe provedbe analize. Dobivena mjerenja

uspoređivana su s podacima dobivenim iz prethodno provedenih proračuna tokova snaga u programu NetVision DAM [32].

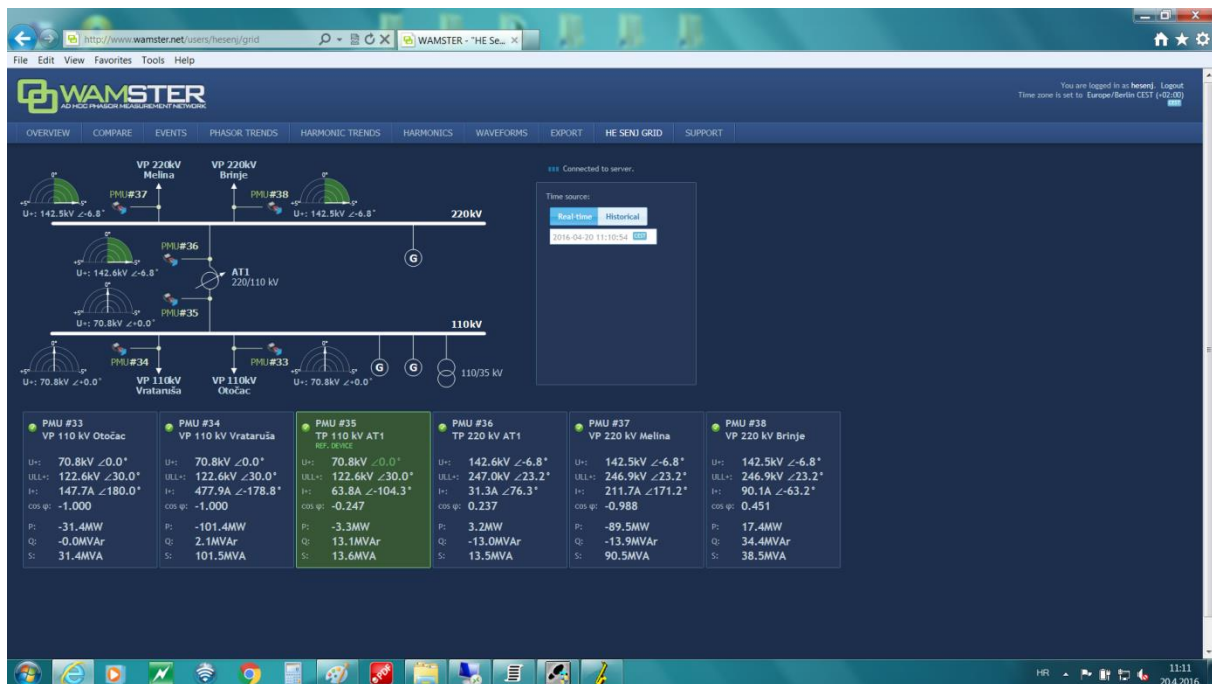
S obzirom kako predmetni autotransformator ima uz standardnu mogućnost rada u uzdužnoj regulaciji i mogućnost rada u dvije kose regulacije, poseban naglasak je stavljen na ponašanje autotransformatora u režimima kose regulacije. Za ispitivanje mogućnosti preusmjerenja tokova djelatnih snaga i provjeru matematičkog modela autotransformatora u TS Senj 220/110 kV bilo je potrebno provesti mjerenja tokova djelatnih i jalovih snaga na autotransformatoru te iznosa i kutova napona na sabirnicama 220 i 110 kV u TS Senj za sve položaje regulacijske preklopke autotransformatora u režimu kose regulacije I i III. S obzirom kako na tokove snaga na autotransformatoru, osim položaja regulacijske preklopke, značajan utjecaj ima angažman i trenutna proizvodnja pojedinih generatora u HE Senj, za potrebe ispitivanja osiguran je takav vozni red generatora pri kojem nije došlo do većih preopterećenja elemenata prijenosnog sustava. To se posebno odnosi na DV 110 kV Vrataruša – Crikvenica, koji se u slučaju preusmjerenja tokova snaga iz 220 kV prijenosne mreže u 110 kV mrežu može preoptereti. Sinkronizirana mjerenja fazora pokazala su se kao pouzdan i precizan izvor mjerenja za potvrdu prethodno provedenih proračuna.

Na slici 3.11 prikazan je proračun tokova snaga u programu NetVision DAM za karakterističan položaj regulacijske preklopke autotransformatora 21 u režimu kose regulacije III.



Slika 3.11 Proračun tokova snaga u programu NetVision DAM za karakterističan položaj

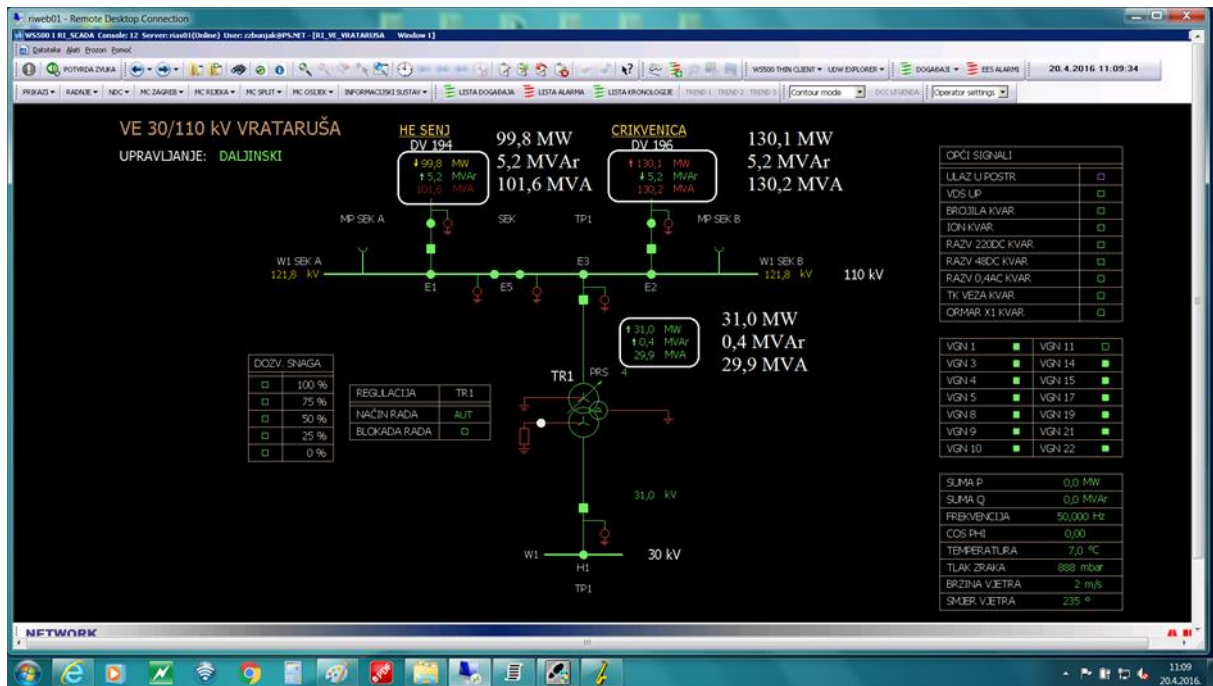
Na slici 3.12 prikazana su sinkronizirana mjerenja fazora tijekom primarnih ispitivanja za opisani karakterističan položaj regulacijske preklope autotransformatora u režimu kose regulacije III.



Slika 3.12 Sinkronizirana mjerenja fazora za opisani karakterističan položaj

Opisani položaj regulacijske preklope autotransformatora u režimu kose regulacije III uz puni angažman proizvodnje agregata u HE Senj dovodi do preopterećenja DV 110 kV Crikvenica-Vrataruša ukoliko su povoljni uvjeti vjetra i proizvodnja iz VE Vrataruša prelazi 20 MW. Navedeno je dokazano u stvarnom pogonu uz blago prilagođenje sustava lokalne relejne zaštite kako ne bi došlo do isključenja preopterećenog dalekovoda. Zabilježeno opterećenje DV 110 kV Crikvenica-Vrataruša od 130 MVA prikazano je na slici 3.13.

Rezultati prethodno izvedenih proračuna i stvarno izvedenih sinkroniziranih mjerenja pokazali su zadovoljavajuću podudarnost, što znači kako razvijeni matematički model autotransformatora s uzdužnom i dvije kose regulacije, primijenjen u programskom paketu Netvision DAM, dobro opisuje stvarno ponašanje autotransformatora u prijenosnoj mreži. Manja odstupanja napona i tokova snaga rezultat su neistovremenih mjerenja, koja iz SCADA sustava dolaze u proračun za procjenu stanja EES-a. Osim toga, rezultati ispitivanja autotransformatora u različitim pogonskim i uklopnim stanjima pokazuju da se ispravnim izborom položaja regulacijske preklopke mogu preusmjeriti tokovi djelatnih snaga iz 110 kV u 220 kV mrežu.



Slika 3.13 Zabilježeno preopterećenje DV 110 kV Crikvenica-Vrataruša

4. METODA ZA IZRADU NAPREDNIH ZAŠTITNIH SHEMA PRIJENOSNE ELEKTROENERGETSKE MREŽE ZASNOVANA NA SINKRONIZIRANIM MJERENJIMA NA TEMELJU PROCJENE SIGURNOSTI

Distribuirani konvencionalni sustavi upravljanja i zaštite u današnjim tržišnim uvjetima vođenja EES-a teže sve većoj centralizaciji i međusobnom povezivanju kako bi se razmjenom što većeg broja informacija postigli što napredniji sustavi upravljanja i zaštite. Dosadašnji sustavi relejne zaštite bazirani na zaštiti pojedinih elemenata mreže ne mogu adekvatno odgovoriti na nove tržišne uvjete upravljanja EES-om. Iz navedenih razloga javila se potreba za razvojem NZS-a koje štite cjelovitost šireg dijela sustava.

Kako bi razvili NZS-e nekog dijela sustava potrebno je provesti niz studija koordinacije s konvencionalnim sustavom relejne zaštite i dobro poznavati njegov rad. Koordinacija sustava relejne zaštite i NZS-a dijela sustava rezultirat će uspješnim ublažavanjem i uklanjanjem mogućih poremećaja na širokom području te održavanjem sigurnosti i cjelovitosti sustava.

Preopterećenje prijenosnih vodova ili određenog dijela sustava pojava je koja se dogodi kada određeni iznos snage koji pokušava prijeći iz jednog dijela sustava u drugi preraste prijenosne kapacitete između ta dva dijela sustava. Uzrok povećanog prijenosa snage iz jednog dijela sustava u drugi može biti značajan gubitak proizvodnje odnosno tereta na jednom dijelu sustava ili isključenje značajno visoko opterećenog prijenosnog voda pri čemu se snaga koja se prenosila tim vodom raspodijeli na preostale što često rezultira kaskadnim raspadom većeg dijela sustava. Kako bi se sačuvala cjelovitost i sigurnost šireg dijela EES-a, a potrošačima osigurala opskrba električnom energijom u svim slučajevima potrebno je provesti odgovarajuće mjere djelovanja.

Tipični uzroci velikih poremećaja:

- postojeći uvjeti u mreži kao što su održavanje proizvodnih postrojenja ili vodova te visoka opterećenja u mreži,
- ispadi vodova zbog stvarnih kvarova ili previsokih opterećenja, pogrešno djelovanje sustava relejne zaštite,
- nedovoljna naponska podrška (jalova snaga),
- nedovoljna informiranost operatera o kvarovima na uređajima,

- prenatrpanost operatera informacijama iz kojih ne može izdvojiti one bitne što posljedično vodi prema donošenju krivih odluka,
- pogrešno proračunate studije odnosno analize rada i upravljanja mrežom,
- nedostupnost automatiziranih mjera koje bi spriječile daljnje poremećaje u sustavu, smanjenje iznosa napona ili pokrenule planirano odvajanje sustava.

NZS-e prijenosne elektroenergetske mreže nisu zamišljene kao tehnologija koja će zamijeniti konvencionalne lokalne sustave relejne zaštite nego kao tehnologija koja će ih nadograditi. Djelovat će u početnim fazama razvoja poremećaja nakon djelovanja konvencionalnih lokalnih sustava relejne zaštite. Prepoznati će promjene u mreži koje su nastale djelovanjem lokalnih sustava relejne zaštite i po potrebi ukazati na potencijalne probleme u mreži. Naravno da potpuna funkcionalnost sustava zaštite cjelovitosti prijenosne elektroenergetske mreže mora biti izuzetno koordinirana i odmjerena kako bi se smanjio rizik od nepotrebnih pokretanja NZS-a.

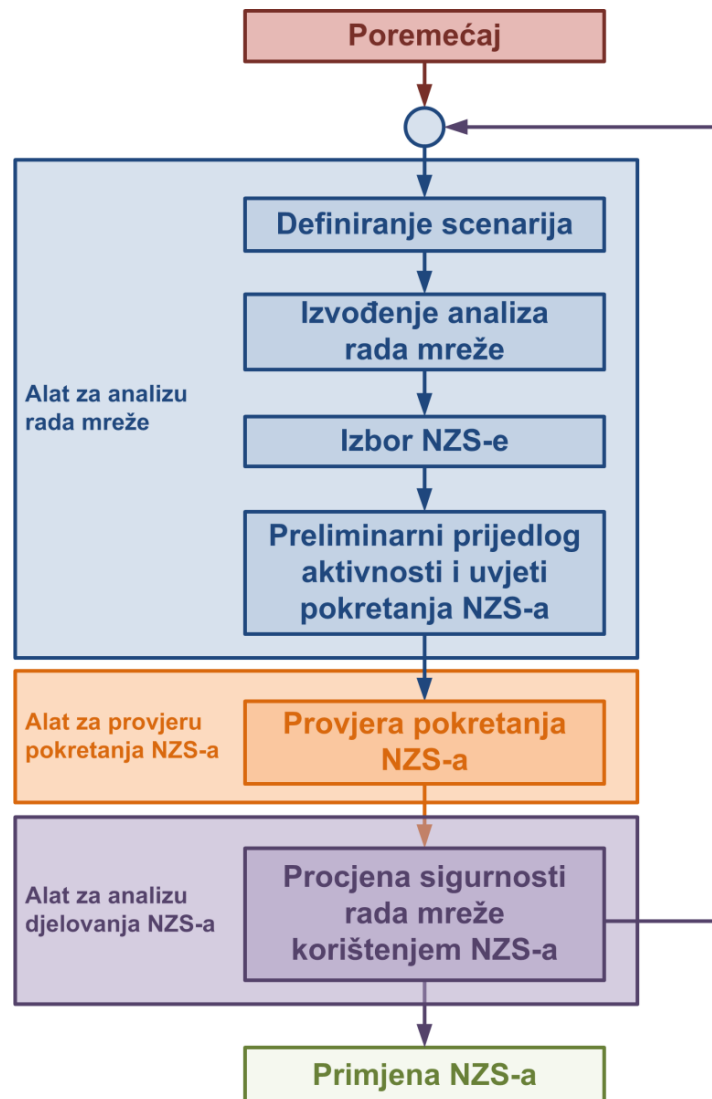
Osnovni cilj NZS-a prijenosne elektroenergetske mreže podržanih tehnologijom sinkroniziranih mjerenja fazora je u stvarnom vremenu nadzirati rad prijenosne elektroenergetske mreže, a zatim u slučajevima nastanka poremećaja u radu njezinih dijelova poduzimati napredne mjere. Nužnost NZS-a je izbjegavati mjere smanjenja proizvodnje, a pogotovo mjere rasterećenja sustava. Mjere NZS-a su usmjerene prema izmjeni topologije mreže kako bi se na prikladniji način raspodijelilo njeno opterećenje. U kritičnim situacijama mogu se dozvoliti napredne mjere rasterećenja sustava, a u krajnjoj nuždi obrane sustava od raspada mogu se dozvoliti napredne mjere smanjivanja proizvodnje [3].

Prema [33] NZS-e izrađuju se na temelju analiza rada EES-a odnosno na temelju njegovog odziva na zabilježene događaje ili zagušenja kroz definiranje zahtjeva koje NZS-e moraju ispuniti. Zahtjevi na NZS-e se mogu opisati kao provođenje naprednih mjera djelovanja potrebnih za održavanje željenih karakteristika rada EES-a s obzirom na promatrane događaje ili zagušenja. Kada se definiraju zahtjevi na NZS-e tada se može pristupiti definiranju njezinog dizajna koji će ispunjavati definirane zahtjeve. Djelovanja tako dizajnirane NZS-e potrebno je simulirati i uskladiti njezin rad s definiranim zahtjevima. Potvrđenu NZS-u na posljetku se može uvrstiti kao novu shemu u već postojeći sustav zaštite cjelovitosti prijenosne elektroenergetske mreže.

Nakon uvrštavanja novo osmišljene NZS-e u već postojeći sustav zaštite cjelovitosti prijenosne elektroenergetske mreže potrebno je nadzirati i analizirati njezine eventualne

proradne aktivnosti i potvrditi kako su njezinim djelovanjem zadovoljeni svi postavljeni zahtjevi za održavanjem željenih karakteristika rada EES-a s obzirom na promatrane događaje ili zagušenja.

Na slici 4.1 prikazan je blok dijagram razvijene metode za izradu NZS-a prijenosne elektroenergetske mreže zasnovana na sinkroniziranim mjerenjima fazora na temelju procjene sigurnosti [34].



Slika 4.1 Metoda za izradu NZS-a na temelju procjene sigurnosti

4.1. Poremećaj kao ideja za izradu napredne zaštitne sheme

Prema [2] dosadašnje upravljanje EES-ima realizira se na dva osnovna načina:

- kao preventivno upravljanje, koje se sastoji u podešavanju radne točke sustava tako da sustav bude u stanju uspješno savladati unaprijed definirani skup poremećaja. Upravljanje se, dakle, u ovom slučaju izvršava prije nego li se poremećaj dogodio.
- kao korektivno upravljanje, koje se poduzima kada se dogodi poremećaj većih razmjera.

U svrhu pouzdanosti rada EES-a, sprječavanju njihovih djelomičnih ili potpunih raspada, elektroenergetske tvrtke primorane su razviti sustave zaštite cjelovitosti. Sustavi zaštite cjelovitosti u najvećoj se mjeri oslanjaju na korektivno upravljanje koje, posebno za slučajeve velikih poremećaja, zahtijeva nove pristupe izrade.

Veliki nepredvidivi poremećaji ili događaji u mreži ukazuju na potrebu detaljne analize rada EES-a. Za takve je poremećaje ili događaje potrebno zabilježiti sve ulazne parametre i odzive sustava koje je potom potrebno detaljno analizirati korištenjem alata za analizu rada mreže. Veliki poremećaji ili događaji u mreži mogu poslužiti kao začetnici ideje za izradu NZS-a.

4.2. Definiranje scenarija za analizu

Prvi korak izrade NZS-a je definiranje određenog broja scenarija koji uključuju reprezentativne poremećaje u promatranom dijelu sustava. Taj broj se temelji na iskustvu i poznavanju rada EES-a na kojem se napredni modeli djelovanja žele primijeniti.

Različiti su principi određivanja scenarija za analizu rada mreže. Mogu se primijeniti sezonski (ljet/zima), hidrološki (dobra/loša hidrologija) ili dnevni kriteriji (noć/dan) ovisno o mnogim ostalim faktorima mreže: raspodjela proizvodnih jedinica, razgranatost i izgrađenost prijenosne mreže, raspodjela distribucijskih odvoda (tereta) itd. Izbor kriterija za definiranje scenarija za analizu ovisit će o pogonskom iskustvu i poznavanju rada promatranog dijela EES-a.

4.3. Izvođenje analiza scenarija i ukazivanje na potencijalne početne opasnosti

Drugi korak izrade NZS-a odnosi se na izvođenje detaljnih analiza rada EES-a. Za početak se preporuča analiziranje osnovnih stanja svakog pojedinog scenarija definiranog u prethodnom koraku izrade zaštitnih shema. Navedene analize će ukazati na potencijalne početne opasnosti u promatranom dijelu mreže. Svaku potencijalnu početnu opasnost u vidu visokog opterećenja mreže potrebno je detaljno analizirati. Prilikom analize uvelike će

pomoći ukoliko izdvojenom ugroženom dijelu mreže pripišemo njegovu postotno opterećenje. Izrada NZS-a temelji se na korištenju programskih paketa koji omogućavaju detaljnu analizu rada promatranog dijela EES-a. U disertaciji se koristilo programsko okruženje PSS/E za analizu rada mreže prilikom izvođenja usporedbe dobivenih rezultata.

Nakon analiziranja osnovnih stanja svakog pojedinog scenarija i definiranja potencijalnih početnih opasnosti u vidu visokog opterećenja promatranog dijela mreže može se pristupiti izvođenju analize sigurnosti po kriteriju N-1. Ukoliko za to postoji potreba, N-1 analize se mogu proširiti i višestrukim ispadima elemenata u vidu N-M analiza, gdje M označava broj isključenih elemenata.

Preporuča se izvođenje N-1 analiza svakog pojedinog scenarija za sve elemente u neposrednoj blizini promatranog ili promatranih ugroženih elemenata mreže definiranih kao potencijalnih početnih opasnosti pa čak i njih samih. U postupku analize potrebno je zabilježiti sve N-1 ili N-M analize koje su uzrokovale značajno povećanje opterećenja pojedinih elemenata mreže ili uzrokovale njihovo nedozvoljeno opterećenje.

Procjena statičke sigurnosti u suštini se sastoji od procjene efekata specificiranih poremećaja na tokove snaga i naponske prilike u stacionarnom stanju EES-a. Unaprijed se propisuju pragovi tolerancije za pojedine varijable, koji se u sigurnom pogonu sustava ne smiju prekoračiti, pa se poslije toga uspoređuju s njihovim stvarnim vrijednostima u stacionarnom stanju, nakon poremećaja. Drugim riječima, vrši se provjera da li poslije pojave određenih poremećaja u stacionarnom stanju sustava dolazi do preopterećenja pojedinih vodova i generatora, pretjeranih odstupanja napona u sabirnicama ili do nekih drugih indikacija nesigurnog pogona. Takva analiza sustava naziva se analiza poremećaja ili procjena sigurnosti.

Izvođenje proračuna je osnova rada svakog EES-a u fazi planiranja njegova razvoja, ali i u njegovom svakodnevnom vođenju. Proračun tokova snaga u sklopu provođenja analiza scenarija kod izrade naprednih zaštitnih shema temelji se na proračunima izmjeničnih modela mreže koji su matematički opisani kao sustav nelinearnih jednadžbi. Rješavanje sustava nelinearnih jednadžbi zahtjeva korištenje iterativnih postupaka od kojih su Gauss-Seidel i Newton-Raphson metode najčešće korištene kod problema proračuna tokova snaga i naponskih prilika u mreži [35].

Izmjenični model mreže sastoji se od sabirnica koje su međusobno povezane elementima, bilo da se radi o vodovima ili transformatorima. Generatori i tereti su modelirani

kao snage prikazane u kompleksnoj domeni koje ulaze ili izlaze iz sabirnica, dok su vodovi i transformatori modelirani svojim nadomjesnim modelima. Fiksni kondenzatori ili prigušnice mogu se modelirati u određenim sabirnicama kako bi povećali ili smanjili iznose napona sabirnica po potrebi. Temeljem navedenog, proračun tokova snaga i naponskih prilika u mreži može se opisati kao problem izračuna potrebne angažiranosti proizvodnih jedinica u mreži kako bi se pokrila sva potražnja definirana teretima u pojedinim sabirnicama, a pritom ne ugrožavajući sigurnost sustava definiranu zadanim ograničenjima iznosa napona i dozvoljenim tokovima snaga na vodovima i transformatorima.

Kod izvođenja proračuna tokova snaga potrebno je u obzir uzeti sljedeća tri razmatranja.

- Na temelju zadanih tereta u sabirnicama može se postići angažiranost proizvodnih jedinica unutar postavljenih zadanih granica na svim sabirnicama osim na jednoj. Angažiranost proizvodne jedinice u toj jednoj sabirnici, koju nazivamo sabirnicom regulacijske elektrane, ne može se unaprijed definirati pošto ukupna proizvodnja promatranog sustava mora biti jednaka zbroju ukupne potražnje i gubitaka u sustavu, a gubitke je nemoguće poznavati dok nisu izračunati svi vektori napona na sabirnicama.
- Jednom kada su poznati svi vektori napona na sabirnicama, sve druge vrijednosti kao što su tokovi snaga na elementima, gubici u prijenosu i angažiranost proizvodnje u sabirnicama mogu se jednostavno izračunati. Stoga, najvažniji cilj izvođenja proračuna tokova snaga je izračunati sve vektore napona u sabirnicama.
- Kod izvođenja proračuna prikladno je koristiti izraz za snagu čvorišta S_i koji je definiran razlikom snage SG_i koja je proizvedena u čvorištu i ulazi u njega te snagom SL_i koja je potrošena u čvorištu i izlazi iz njega. Izrazi za snagu i -tog čvorišta prikazani su u nastavku.

$$S_i = P_i + jQ_i \quad (4.1)$$

$$S_i = SG_i - SL_i \quad (4.2)$$

$$S_i = (PG_i + jQG_i) - (PL_i + jQL_i) \quad (4.3)$$

$$S_i = (PG_i - PL_i) + j(QG_i - QL_i) \quad (4.4)$$

Postoje četiri različite veličine koje se u sklopu proračuna pridjeljuju svakoj sabirnici:

- P , djelatna snaga koja ulazi u sabirnicu ili izlazi iz nje,
- Q , jalova snaga koja ulazi u sabirnicu ili izlazi iz nje,
- $|V|$, iznos napona na sabirnicama,
- δ , fazni kut napona na sabirnicama.

Od četiri navedene veličine, dvije moraju biti definirane, a ostale dvije se određuju izračunom. S obzirom koje dvije veličine su definirane u početku izvođenja proračuna, sabirnice se dijele na tri vrste prema slici 4.2.

- U modelu mreže s N sabirnica, problem proračuna tokova snaga svodi se na određivanje $2N$ varijabli vektora napona sabirnica koje se odnose na njegov iznos i kut. Navedene varijable se određuju rješavanjem skupa $2N$ postavljenih jednadžbi za tokove snage ukoliko su poznate snage u svim sabirnicama. Ali, kako je već objašnjeno, snaga u sabirnici regulacijske elektrane se ne može unaprijed definirati pošto je gubitke u mreži nemoguće poznavati u početku izvođenja proračuna. Stoga je, za sabirnicu regulacijske elektrane, potrebno definirati iznos i kut napona na sabirnicama kako bi se skup od $2(N-1)$ jednadžbi mogao riješiti poznajući $2(N-1)$ snaga u sabirnicama. Definiranjem iznosa napona na sabirnicama regulacijske elektrane pomaže nam učvrstiti iznos napona u cijelom modelu prilikom izvođenja proračuna, a definiranje kuta napona služi kao referentna veličina u odnosu na koju se prikazuju svi ostali kutovi napona sabirnica. Djelatna i jalova snaga sabirnice regulacijske elektrane se računaju na kraju proračuna kada su poznati iznosi napona i kutovi svih sabirnica u modelu.
- Na sabirnicama s kontrolom napona uobičajeno je održavati iznos napona na postavljenoj veličini što se u praksi postiže regulacijom jalove snage na sabirnicama. Za sabirnice s kontrolom napona definiraju se djelatna snaga i iznos napona, a računaju se jalova snaga i kut napona.
- Sabirnice na kojima ne postoji upravljive proizvodnje nazivaju se sabirnice snage. Definirane su zadanom djelatnom i jalovom snagom, a računaju se napon sabirnica po iznosu i kutu.

U prvom koraku, korištenjem Gauss-Seidel metode, pretpostavljaju se početne vrijednosti x_1, x_2, \dots, x_n . Ažurirane vrijednosti se računaju korištenjem izraza (4.8). U bilo kojoj iteraciji $h+1$, do broja $m = k + 1$ koriste se vrijednosti x_m izračunate u iteraciji h , a od broja $m = k + 1$ do N koriste se vrijednosti x_m izračunate u iteraciji $h+1$. Na taj način ubrzava se izračun ažuriranih vrijednosti jer se ne gubi vrijeme na izračunavanje sa starim parametrima iteracije. Na temelju navedenog vrijedi:

$$x_k^{h+1} = \frac{1}{a_{kk}} \left(y_k - \sum_{m=1}^{k-1} a_{km} x_m^h - \sum_{m=k+1}^N a_{km} x_m^{h+1} \right) \quad (4.9)$$

4.3.2. Gauss-Seidel metoda kod proračuna tokova snaga

Prvi korak korištenja Gauss-Seidel metode kod proračuna tokova snaga je pretpostavljanje napona sabirnica. Zamjenom izračunatih napona sabirnica u prvoj iteraciji dobivaju se rješenja u drugoj iteraciji i tako se postupak ponavlja sve dok se razlika između rješenja dvije uzastopne iteracije ne smanji unutar postavljenih tolerancija.

Na početku se razmatra modelirani sustav bez sabirnica s kontrolom napona čija ograničenja se kasnije uvode u proračun. To znači da se prvo moraju izračunati naponi na svim sabirnicama snage na temelju zadanih iznosa djelatne i jalove snage generatora ili tereta. Koristi se izraz za iznos snage i -tog čvorišta u proširenom obliku gdje s označava sabirnicu regulacijske elektrane koja se računa na kraju proračuna.

$$V_i I_i^* = P_i + jQ_i, \quad i = 1, 2, \dots, N; \quad i \neq s \quad (4.10)$$

U navedenom skupu jednadžbi cilj je eliminirati varijablu struje što se može izvesti konjugiranjem pa onda izraz (4.10) poprima sljedeći oblik:

$$V_i^* I_i = P_i - jQ_i \quad (4.11)$$

Izraz za struju se sada može napisati:

$$I_i = \frac{P_i - jQ_i}{V_i^*} \quad (4.12)$$

Na temelju jednadžbi mreže u admitantnom obliku

$$\mathbf{I} = \mathbf{YV} \quad (4.13)$$

koja se matricno prikazuje prema

$$\begin{bmatrix} I_1 \\ I_2 \\ \vdots \\ I_N \end{bmatrix} = \begin{bmatrix} Y_{11} & Y_{12} & \dots & Y_{1N} \\ Y_{21} & Y_{22} & \dots & Y_{2N} \\ \vdots & \vdots & & \vdots \\ Y_{N1} & Y_{N2} & \dots & Y_{NN} \end{bmatrix} \begin{bmatrix} V_1 \\ V_2 \\ \vdots \\ V_N \end{bmatrix} \quad (4.14)$$

možu se raspisati sljedeći izrazi:

$$I_i = Y_{i1}V_1 + Y_{i2}V_2 + \dots + Y_{ii}V_i + \dots + Y_{iN}V_N \quad (4.15)$$

$$I_i = Y_{ii}V_i + \sum_{\substack{m=1 \\ m \neq i}}^N Y_{im}V_m \quad (4.16)$$

Kombiniranjem izraza (4.12) i (4.16) može se napisati sljedeće:

$$Y_{ii}V_i + \sum_{\substack{m=1 \\ m \neq i}}^N Y_{im}V_m = \frac{P_i - jQ_i}{V_i^*} \quad (4.17)$$

$$V_i = \frac{1}{Y_{ii}} \left(\frac{P_i - jQ_i}{V_i^*} - \sum_{\substack{m=1 \\ m \neq i}}^N Y_{im}V_m \right) \quad (4.18)$$

$$V_i = \frac{P_i - jQ_i}{V_i^*} \frac{1}{Y_{ii}} - \sum_{\substack{m=1 \\ m \neq i}}^N \frac{Y_{im}}{Y_{ii}} V_m, \quad i = 1, 2, \dots, N; \quad i \neq s \quad (4.19)$$

Izraz (4.19) može se pojednostaviti uvođenjem zamjenskih varijabli na sljedeći način:

$$\frac{P_i - jQ_i}{Y_{ii}} = A_i \quad (4.20)$$

$$\frac{Y_{im}}{Y_{ii}} = B_{im} \quad (4.21)$$

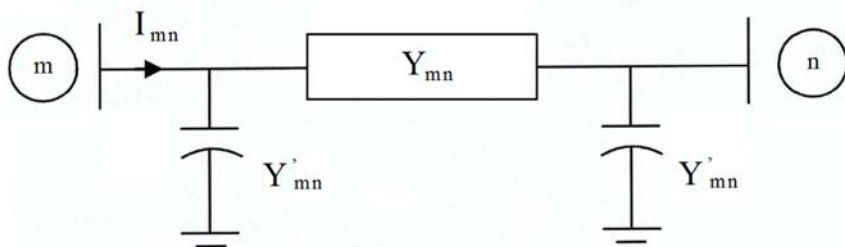
Sada izraz (4.19) poprima sljedeći oblik:

$$V_i = \frac{A_i}{V_i^*} - \sum_{\substack{m=1 \\ m \neq i}}^N B_{im} V_m, \quad i = 1, 2, \dots, N; \quad i \neq s \quad (4.22)$$

Kada se koristi Gauss-Seidel metoda napon na i -tim sabirnicama za vrijeme izvođenja iteracije $h+1$ računa se prema sljedećem izrazu:

$$V_i^{h+1} = \frac{A_i}{V_i^{h*}} - \sum_{m=1}^{i-1} B_{im} V_m^h - \sum_{m=i+1}^N B_{im} V_m^{h+1} \quad (4.23)$$

Nakon što se izračunaju svi naponi sabirnica može se pristupiti izračunu tokova snaga na elementima mreže kao što je prikazano na slici 4.3.



Slika 4.3 Izračun tokova na elementu mreže

Struja elementa se može izračunati prema sljedećem izrazu:

$$I_{mn} = (V_m - V_n)Y_{mn} + V_m Y'_{mn} \quad (4.24)$$

Tok snage od sabirnice m prema sabirnici n iznosi:

$$P_{mn} + jQ_{mn} = V_m I_{mn}^* \quad (4.25)$$

Uvrštavanjem izraza (4.24) u (4.25) dobije se:

$$P_{mn} + jQ_{mn} = V_m [(V_m^* - V_n^*)Y_{mn}^* + V_m^* Y'_{mn}^*] \quad (4.26)$$

Na isti način može se prikazati tok snage od sabirnice n prema sabirnici m :

$$P_{nm} + jQ_{nm} = V_n [(V_n^* - V_m^*)Y_{nm}^* + V_n^* Y'_{nm}^*] \quad (4.27)$$

Gubici snage na elementu koji povezuje sabirnice m i n dan je sljedećim izrazom:

$$S_{m-n} = P_{mn} + jQ_{mn} + P_{nm} + jQ_{nm} \quad (4.28)$$

Proračun tokova snaga na sabirnicama s kontrolom napona ograničen je iznosom napona koji je definiran za tu sabirnicu kao ulazni podatak. Osim iznosa napona, za navedenu sabirnicu definirana je i djelatna snaga. Obično se još definira najveća i najmanja vrijednost jalove snage koja se može razviti na sabirnicama s kontrolom napona. Pošto je stvarna vrijednost jalove snage za navedenu sabirnicu nepoznata ne može se izračunati zamjenska varijabla A_i definirana prema izrazu (4.20). Izraz za jalovu snagu može se izvesti na temelju izraza za sumu struja sabirnice i njezine snage:

$$I_i = \sum_{m=1}^N Y_{im} V_m \quad (4.29)$$

$$P_i + jQ_i = V_i I_i^* \quad (4.30)$$

Ako definiramo:

$$Y_{mn} = |Y_{mn}| \angle \theta_{mn} \quad (4.31)$$

$$V_m = |V_m| \angle \delta_m \quad (4.32)$$

tada možemo napisati:

$$P_i + jQ_i = |V_i| \angle \delta_i \sum_{m=1}^N |Y_{im}| |V_m| \angle -\theta_{im} - \delta_m \quad (4.33)$$

$$P_i + jQ_i = |V_i| \sum_{m=1}^N |V_m| |Y_{im}| \angle \delta_i - \delta_m - \theta_{im} \quad (4.34)$$

$$Q_i = |V_i| \sum_{m=1}^N |V_m| |Y_{im}| \sin(\delta_i - \delta_m - \theta_{im}) \quad (4.35)$$

Vrijednost napona $|V_i|$ u i -toj sabirnici koja je definirana kao sabirnica s kontrolom napona je zadana kao ulazni parametar. Pošto se njezina vrijednost prilikom provođenja iteracijskog postupka mijenja, za svaku iteraciju je potrebno provjeriti njezinu vrijednost i ukoliko je različita od početno postavljene potrebno ju je prilagoditi na odgovarajuću vrijednost prema sljedećem izrazu:

$$V_i^{h+1} = |V_i|^0 \angle \arctg \left[\frac{\text{Im}(V_i^h)}{\text{Re}(V_i^h)} \right] \quad (4.36)$$

Koristeći prilagođenu vrijednost napona sabirnice može se izračunati jalova snaga prema izrazu (4.35). Sve dok je vrijednost jalove snage unutar najmanje i najveće vrijednosti obično postavljene kao ulazni parametri u proračun, napon sabirnica se smije prilagođavati prema početno postavljenoj vrijednosti napona. Ukoliko vrijednost jalove snage prekorači zadane granice, izračunati napon sabirnica se više ne smije prilagođavati prema početno postavljenom. U tom slučaju jalova snaga sabirnice se postavlja na graničnu vrijednost, računa se zamjenska varijabla A_i , a tip sabirnice se mijenja iz one s kontrolom napona u sabirnicu snage.

Gauss-Seidel metoda rješavanja problema tokova snaga ima jednostavno postavljanje matematičkog problema i jednostavno ju je objasniti, ali zato ima slabe sposobnosti konvergencije. Potreban je veliki broj iteracija kako bi rješenje konvergiralo. Čak i za manje modele sustava potrebno je desetak iteracija kako bi se postiglo rješenje. Newton-Raphson metoda rješavanja problema tokova snaga temelji se na Newton-Raphson metodi rješavanja skupa nelinearnih algebarskih jednadžbi. Navedena metoda ima jako dobre sposobnosti konvergencije, pa tako za velike sustave postigne rješenje čak unutar par iteracija.

4.3.3. Model tokova snaga za Newton-Raphson metodu

Jednadžbe koje opisuju ponašanje elektroenergetske mreže u admitantnom obliku definirane su sljedećim izrazom:

$$\mathbf{I} = \mathbf{Y} \mathbf{V} \quad (4.37)$$

Izraz (4.37) u matričnom obliku može se prikazati prema sljedećem:

$$\begin{bmatrix} I_1 \\ I_2 \\ \vdots \\ I_N \end{bmatrix} = \begin{bmatrix} Y_{11} & Y_{12} & \dots & Y_{1N} \\ Y_{21} & Y_{22} & \dots & Y_{2N} \\ \vdots & \vdots & & \vdots \\ Y_{N1} & Y_{N2} & \dots & Y_{NN} \end{bmatrix} \begin{bmatrix} V_1 \\ V_2 \\ \vdots \\ V_N \end{bmatrix} \quad (4.38)$$

Tipični element matrice admitancija između sabirnica je:

$$Y_{ij} = |Y_{ij}| \angle \theta_{ij} = |Y_{ij}| \cos \theta_{ij} + j |Y_{ij}| \sin \theta_{ij} = G_{ij} + jB_{ij} \quad (4.39)$$

Napon u i -toj sabirnici dan je sljedećim izrazom:

$$V_i = |V_i| \angle \delta_i = |V_i| (\cos \delta_i + j \sin \delta_i) \quad (4.40)$$

Struja koja ulazi u i -te sabirnice definirana je sljedećim izrazom:

$$I_i = Y_{i1}V_1 + Y_{i2}V_2 + \dots + Y_{iN}V_N = \sum_{n=1}^N Y_{in}V_n \quad (4.41)$$

Uz definiran skup linearnih jednadžbi prema izrazu (4.38) moraju se uzeti u obzir i jednadžbe snage sabirnica. Upravo te jednadžbe unose nelinearnost u matematički problem rješavanja proračuna tokova snaga. Jednadžba snage u i -toj sabirnici dana je sljedećim izrazom:

$$P_i - jQ_i = V_i^* I_i \quad (4.42)$$

Kombiniranjem izraza (4.41) i (4.42) dobije se:

$$P_i - jQ_i = V_i^* \sum_{n=1}^N Y_{in}V_n = |V_i| \angle -\delta_i \sum_{n=1}^N |Y_{in}| \angle \theta_{in} |V_n| \angle \delta_n \quad (4.43)$$

$$P_i - jQ_i = \sum_{n=1}^N |V_i| |V_n| |Y_{in}| \angle (\theta_{in} + \delta_n - \delta_i) \quad (4.44)$$

Razdvajanjem realnog od imaginarnog dijela dobije se:

$$P_i = \sum_{n=1}^N |V_i| |V_n| |Y_{in}| \cos(\theta_{in} + \delta_n - \delta_i) \quad (4.45)$$

$$Q_i = - \sum_{n=1}^N |V_i| |V_n| |Y_{in}| \sin(\theta_{in} + \delta_n - \delta_i) \quad (4.46)$$

Djelatne i jalove snage koje se dobiju na temelju izraza (4.45) i (4.46) su izračunate snage. Tijekom izvođenja proračuna njihove vrijednosti se mijenjaju u skladu sa zadnjim izračunatim naponima sabirnica. U zadnjem koraku iteracije, izračunate snage bi trebale biti

dovoljno jednake podešenim vrijednostima snage u ulaznim parametrima proračuna. Nelinearne jednadžbe koje je potrebno riješiti u problemu proračuna tokova snaga dane su sljedećim izrazima:

$$\sum_{n=1}^N |V_i| |V_n| |Y_{in}| \cos(\theta_{in} + \delta_n - \delta_i) = P_i^0 \quad (4.47)$$

$$- \sum_{n=1}^N |V_i| |V_n| |Y_{in}| \sin(\theta_{in} + \delta_n - \delta_i) = Q_i^0 \quad (4.48)$$

Na ukupan broj sabirnica N u modeliranom sustavu, neka je broj sabirnica snage definiran kao N_1 , a broj sabirnica s kontrolom napona N_2 . Tada je:

$$N = N_1 + N_2 + 1 \quad (4.49)$$

Osnovni problem je izračunati:

- kut napona sabirnica za $N_1 + N_2$ broj sabirnica,
- iznose napona sabirnica snage za N_1 broj sabirnica.

Ukupan broj nepoznanica za opisani problem iznosi $2N_1 + N_2$. Prema izrazu (4.47) možemo napisati $N_1 + N_2$ broj jednadžbi za djelatnu snagu, a prema izrazu (4.48) N_1 broj jednadžbi za jalovu snagu. Na temelju navedenog, skup nelinearnih jednadžbi koje je potrebno riješiti u problemu proračuna tokova snaga dane su u nastavku:

$$\sum_{n=1}^N |V_i| |V_n| |Y_{in}| \cos(\theta_{in} + \delta_n - \delta_i) = P_i^0, \quad i = 1, 2, \dots, N; i \neq s \quad (4.50)$$

$$- \sum_{n=1}^N |V_i| |V_n| |Y_{in}| \sin(\theta_{in} + \delta_n - \delta_i) = Q_i^0, \quad (4.51)$$

$$i = 1, 2, \dots, N; i \neq s; i \neq P - V \text{ sabirnice}$$

4.3.4. Matematički opis Newton-Raphson metode

Newton-Raphson metoda koristi se kako bi se riješio skup nelinearnih algebarskih jednadžbi. Neka je skup nelinearnih algebarskih jednadžbi koje je potrebno riješiti definiran u pojednostavljenom obliku kao:

$$F(\mathbf{X}) = \mathbf{K} \quad (4.52)$$

odnosno

$$\begin{aligned} f_1(x_1, x_2, \dots, x_n) &= k_1 \\ f_2(x_1, x_2, \dots, x_n) &= k_2 \\ &\vdots \\ f_n(x_1, x_2, \dots, x_n) &= k_n \end{aligned} \quad (4.53)$$

Neka su početna rješenja definirana kao: $x_1^0, x_2^0, \dots, x_n^0$.

Ako je

$$\begin{aligned} k_1 - f_1(x_1^0, x_2^0, \dots, x_n^0) &= 0 \\ k_2 - f_2(x_1^0, x_2^0, \dots, x_n^0) &= 0 \\ &\vdots \\ k_n - f_n(x_1^0, x_2^0, \dots, x_n^0) &= 0 \end{aligned} \quad (4.54)$$

tada je postignuto rješenje. Ali, pretpostavimo kako to nije slučaj i kako je potrebno početnim rješenjima dodati faktore prilagođenja $\Delta x_1, \Delta x_2, \dots, \Delta x_n$ kako bi se postiglo konačno rješenje. Onda vrijedi:

$$\begin{aligned} f_1[(x_1^0 + \Delta x_1), (x_2^0 + \Delta x_2), \dots, (x_n^0 + \Delta x_n)] &= k_1 \\ f_2[(x_1^0 + \Delta x_1), (x_2^0 + \Delta x_2), \dots, (x_n^0 + \Delta x_n)] &= k_2 \\ &\vdots \\ f_n[(x_1^0 + \Delta x_1), (x_2^0 + \Delta x_2), \dots, (x_n^0 + \Delta x_n)] &= k_n \end{aligned} \quad (4.55)$$

Svaka od jednadžbi dana izrazom (4.55) se može razviti Taylorovim redom. U nastavku je dan primjer za prvu jednadžbu:

$$\begin{aligned} f_1(x_1^0, x_2^0, \dots, x_n^0) + \frac{\partial f_1}{\partial x_1} \Big|_0 \Delta x_1 + \frac{\partial f_1}{\partial x_2} \Big|_0 \Delta x_2 + \dots \\ + \frac{\partial f_1}{\partial x_n} \Big|_0 \Delta x_n + g_1 = k_1 \end{aligned} \quad (4.56)$$

gdje je g_1 funkcija viših derivacija f_1 i umnožaka $\Delta x_1, \Delta x_2, \dots, \Delta x_n$. Zanemarivanjem g_1 u izrazu (4.56) i raspisivanjem ostalih jednadžbi iz izraza (4.55) dobije se:

$$\begin{aligned}
 f_1(x_1^0, x_2^0, \dots, x_n^0) + \frac{\partial f_1}{\partial x_1} \Big|_0 \Delta x_1 + \frac{\partial f_1}{\partial x_2} \Big|_0 \Delta x_2 + \dots + \frac{\partial f_1}{\partial x_n} \Big|_0 \Delta x_n &= k_1 \\
 f_2(x_1^0, x_2^0, \dots, x_n^0) + \frac{\partial f_2}{\partial x_1} \Big|_0 \Delta x_1 + \frac{\partial f_2}{\partial x_2} \Big|_0 \Delta x_2 + \dots + \frac{\partial f_2}{\partial x_n} \Big|_0 \Delta x_n &= k_2 \\
 &\vdots \\
 f_n(x_1^0, x_2^0, \dots, x_n^0) + \frac{\partial f_n}{\partial x_1} \Big|_0 \Delta x_1 + \frac{\partial f_n}{\partial x_2} \Big|_0 \Delta x_2 + \dots + \frac{\partial f_n}{\partial x_n} \Big|_0 \Delta x_n &= k_n
 \end{aligned} \tag{4.57}$$

Matrični oblik jednadžbi iz izraza (4.57) je:

$$\begin{bmatrix} \frac{\partial f_1}{\partial x_1} \Big|_0 & \frac{\partial f_1}{\partial x_2} \Big|_0 & \dots & \frac{\partial f_1}{\partial x_n} \Big|_0 \\ \frac{\partial f_2}{\partial x_1} \Big|_0 & \frac{\partial f_2}{\partial x_2} \Big|_0 & \dots & \frac{\partial f_2}{\partial x_n} \Big|_0 \\ \vdots & \vdots & & \vdots \\ \frac{\partial f_n}{\partial x_1} \Big|_0 & \frac{\partial f_n}{\partial x_2} \Big|_0 & \dots & \frac{\partial f_n}{\partial x_n} \Big|_0 \end{bmatrix} \begin{bmatrix} \Delta x_1 \\ \Delta x_2 \\ \vdots \\ \Delta x_n \end{bmatrix} = \begin{bmatrix} k_1 - f_1(x_1^0, x_2^0, \dots, x_n^0) \\ k_2 - f_2(x_1^0, x_2^0, \dots, x_n^0) \\ \vdots \\ k_n - f_n(x_1^0, x_2^0, \dots, x_n^0) \end{bmatrix} \tag{4.58}$$

Navedeni matrični oblik se može pojednostavljeno pisati prema sljedećem izrazu:

$$\mathbf{F}'(\mathbf{X}^0)\Delta\mathbf{X} = \mathbf{K} - \mathbf{F}(\mathbf{X}^0) \tag{4.59}$$

U izrazu (4.59) potrebno je izračunati skup linearnih jednadžbi faktora prilagođenja:

$$\Delta\mathbf{X} = \begin{bmatrix} \Delta x_1 \\ \Delta x_2 \\ \vdots \\ \Delta x_n \end{bmatrix} \tag{4.60}$$

U izrazu (4.59) dio $\mathbf{F}'(\mathbf{X}^0)$ naziva se Jacobijeva matrica, a vektor $\mathbf{K} - \mathbf{F}(\mathbf{X}^0)$ zove se vektor pogreške. Jacobijeva matrica najčešće se označava simbolom \mathbf{J} .

Izražavanjem skupa linearnih jednadžbi faktora prilagođenja iz izraza (4.59) dobije se:

$$\Delta \mathbf{X} = [\mathbf{F}'(\mathbf{X}^0)]^{-1}[\mathbf{K} - \mathbf{F}(\mathbf{X}^0)] \quad (4.61)$$

Nakon izračuna faktora prilagođenja, u prvoj iteraciji povećava se vrijednost rješenja za izračunati faktor prema sljedećem izrazu:

$$\mathbf{X}^1 = \mathbf{X}^0 + \Delta \mathbf{X} \quad (4.62)$$

Za $h+1$ iteraciju vrijedi:

$$\mathbf{X}^{h+1} = \mathbf{X}^h + \Delta \mathbf{X} \quad (4.63)$$

Pri čemu vrijedi:

$$\Delta \mathbf{X} = [\mathbf{F}'(\mathbf{X}^h)]^{-1}[\mathbf{K} - \mathbf{F}(\mathbf{X}^h)] \quad (4.64)$$

Odnosno, $\Delta \mathbf{X}$ je rješenje sljedećeg izraza:

$$\mathbf{F}'(\mathbf{X}^h)\Delta \mathbf{X} = \mathbf{K} - \mathbf{F}(\mathbf{X}^h) \quad (4.65)$$

Stoga, postupak za rješavanje početnog skupa nelinearnih jednadžbi $\mathbf{F}(\mathbf{X}) = \mathbf{K}$ izvodi se na sljedeći način.

- Izračuna se vektor pogreške $\mathbf{K} - \mathbf{F}(\mathbf{X}^h)$. Ako je vektor pogreške unutar zadanih tolerancija, rješenje je postignuto. U suprotnom potrebno je postaviti jednadžbu $\mathbf{F}'(\mathbf{X}^h)\Delta \mathbf{X} = \mathbf{K} - \mathbf{F}(\mathbf{X}^h)$.
- Izračunati vektor pogreške $\Delta \mathbf{X}$.
- Ažurirati rješenje prema $\mathbf{X}^{h+1} = \mathbf{X}^h + \Delta \mathbf{X}$ sve dok se ne postigne zadovoljavajuće rješenje.

4.3.5. Proračun tokova snaga korištenjem Newton-Raphson metode

Kao što je već prethodno opisano, proračun tokova snaga je definiran izrazima (4.50) i (4.51) ukoliko se koristi polarni oblik napona i admitancija. Izrazi (4.50) i (4.51) navode se ponovno u nastavku radi boljeg pregleda.

$$\sum_{n=1}^N |V_i| |V_n| |Y_{in}| \cos(\theta_{in} + \delta_n - \delta_i) = P_i^0 \quad (4.50)$$

$$-\sum_{n=1}^N |V_i||V_n||Y_{in}| \sin(\theta_{in} + \delta_n - \delta_i) = Q_i^0 \quad (4.51)$$

Izdvajanjem i -tog člana zbroja iz izraza (4.50) i (4.51) dobije se sljedeće:

$$|V_i|^2 G_{ii} + \sum_{\substack{n=1 \\ n \neq i}}^N |V_i||V_n||Y_{in}| \cos(\theta_{in} + \delta_n - \delta_i) = P_i^0 \quad (4.66)$$

$$-|V_i|^2 B_{ii} - \sum_{\substack{n=1 \\ n \neq i}}^N |V_i||V_n||Y_{in}| \sin(\theta_{in} + \delta_n - \delta_i) = Q_i^0 \quad (4.67)$$

U pojednostavljenom obliku izrazi (4.66) i (4.67) mogu se napisati kao:

$$\mathbf{P}(\boldsymbol{\delta}, |\mathbf{V}|) = \mathbf{P}^0 \quad (4.68)$$

$$\mathbf{Q}(\boldsymbol{\delta}, |\mathbf{V}|) = \mathbf{Q}^0 \quad (4.69)$$

Korištenjem opisane Newton-Raphson metode i njene linearizacije prema izrazu (4.65) dobiju se sljedeći izrazi:

$$\begin{bmatrix} \frac{\partial \mathbf{P}}{\partial \boldsymbol{\delta}} & \frac{\partial \mathbf{P}}{\partial |\mathbf{V}|} \\ \frac{\partial \mathbf{Q}}{\partial \boldsymbol{\delta}} & \frac{\partial \mathbf{Q}}{\partial |\mathbf{V}|} \end{bmatrix} \begin{bmatrix} \Delta \boldsymbol{\delta} \\ \Delta |\mathbf{V}| \end{bmatrix} = \begin{bmatrix} \Delta \mathbf{P} \\ \Delta \mathbf{Q} \end{bmatrix} \quad (4.70)$$

gdje je:

- $\Delta \mathbf{P}$ razlika početno zadane djelatne snage sabirnice i trenutno izračunate vrijednosti prema rješenjima iznosa i kuta napona,
- $\Delta \mathbf{Q}$ razlika početno zadane jalove snage sabirnice i trenutno izračunate vrijednosti prema rješenjima iznosa i kuta napona.

Kako bi se uvela simetrija elemenata matrice koeficijenata u kasnijim izračunima, umjesto elementa $\Delta |\mathbf{V}|$ korišten je element $\Delta |\mathbf{V}|/|\mathbf{V}|$. U tom slučaju izraz (4.70) poprima sljedeći oblik:

$$\begin{bmatrix} \frac{\partial P}{\partial \delta} & \frac{\partial P}{\partial |V|} |V| \\ \frac{\partial Q}{\partial \delta} & \frac{\partial Q}{\partial |V|} |V| \end{bmatrix} \begin{bmatrix} \Delta \delta \\ \frac{\Delta |V|}{|V|} \end{bmatrix} = \begin{bmatrix} \Delta P \\ \Delta Q \end{bmatrix} \quad (4.71)$$

Dijelovi izraza (4.71) vezani uz Jacobijevu matricu mogu se prikazati nadomjesnim simbolima na sljedeći način

$$\begin{bmatrix} J_{P\delta} & J_{P|V|} \\ J_{Q\delta} & J_{Q|V|} \end{bmatrix} \begin{bmatrix} \Delta \delta \\ \frac{\Delta |V|}{|V|} \end{bmatrix} = \begin{bmatrix} \Delta P \\ \Delta Q \end{bmatrix} \quad (4.72)$$

pri čemu je:

- $J_{P\delta} = \frac{\partial P}{\partial \delta}$ podmatrica parcijalnih derivacija djelatne snage u sabirnicama po kutovima napona,
- $J_{P|V|} = \frac{\partial P}{\partial |V|} |V|$ podmatrica parcijalnih derivacija djelatne snage u sabirnicama po iznosima napona,
- $J_{Q\delta} = \frac{\partial Q}{\partial \delta}$ podmatrica parcijalnih derivacija jalove snage u sabirnicama po kutovima napona,
- $J_{Q|V|} = \frac{\partial Q}{\partial |V|} |V|$ podmatrica parcijalnih derivacija jalove snage u sabirnicama po iznosima napona.

Ako s N_1 definiramo broj sabirnica snage, a s N_2 broj sabirnica s kontrolom napona tada su dimenzije podmatrica definirane prema sljedećem:

- $J_{P\delta}$ ima veličinu $(N_1 + N_2) \times (N_1 + N_2)$,
- $J_{P|V|}$ ima veličinu $(N_1 + N_2) \times N_1$,
- $J_{Q\delta}$ ima veličinu $N_1 \times (N_1 + N_2)$,
- $J_{Q|V|}$ ima veličinu $N_1 \times N_1$.

Ako izraze (4.66) i (4.67) definiramo za općeniti slučaj $P_i^0 = P_i(\delta, |V|)$ i $Q_i^0 = Q_i(\delta, |V|)$ može se napisati:

$$P_i(\delta, |V|) = |V_i|^2 G_{ii} + \sum_{\substack{n=1 \\ n \neq i}}^N |V_i| |V_n| |Y_{in}| \cos(\theta_{in} + \delta_n - \delta_i) \quad (4.73)$$

$$Q_i(\delta, |V|) = -|V_i|^2 B_{ii} - \sum_{\substack{n=1 \\ n \neq i}}^N |V_i| |V_n| |Y_{in}| \sin(\theta_{in} + \delta_n - \delta_i) \quad (4.74)$$

Dijagonalni elementi Jacobijevih podmatrica izračunati parcijalnim deriviranjem izraza (4.73) i (4.74) definirani su prema sljedećem:

$$J_{P\delta ii} = \frac{\partial P_i}{\partial \delta_i} = \sum_{\substack{n=1 \\ n \neq i}}^N |V_i| |V_n| |Y_{in}| \sin(\theta_{in} + \delta_n - \delta_i) \quad (4.75)$$

$$J_{P\delta ii} = -Q_i - |V_i|^2 B_{ii} \quad (4.76)$$

$$J_{P|V|ii} = \frac{\partial P_i}{\partial |V|_i} |V|_i = 2|V_i|^2 G_{ii} + \sum_{\substack{n=1 \\ n \neq i}}^N |V_i| |V_n| |Y_{in}| \cos(\theta_{in} + \delta_n - \delta_i) \quad (4.77)$$

$$J_{P|V|ii} = P_i + |V_i|^2 G_{ii} \quad (4.78)$$

$$J_{Q\delta ii} = \frac{\partial Q_i}{\partial \delta_i} = \sum_{\substack{n=1 \\ n \neq i}}^N |V_i| |V_n| |Y_{in}| \cos(\theta_{in} + \delta_n - \delta_i) \quad (4.79)$$

$$J_{Q\delta ii} = P_i - |V_i|^2 G_{ii} \quad (4.80)$$

$$J_{Q|V|ii} = \frac{\partial Q_i}{\partial |V|_i} |V|_i = -2|V_i|^2 B_{ii} - \sum_{\substack{n=1 \\ n \neq i}}^N |V_i| |V_n| |Y_{in}| \sin(\theta_{in} + \delta_n - \delta_i) \quad (4.81)$$

$$J_{Q|V|ii} = Q_i - |V_i|^2 B_{ii} \quad (4.82)$$

Vandijagonalni elementi Jacobijevih podmatrica definirani su prema sljedećem:

$$J_{P\delta ij} = \frac{\partial P_i}{\partial \delta_j} = -|V_i| |V_j| |Y_{ij}| \sin(\theta_{ij} + \delta_j - \delta_i) \quad (4.83)$$

$$I_{P|V|ij} = \frac{\partial P_i}{\partial |V|_j} |V|_j = |V_i||V_j||Y_{ij}| \cos(\theta_{ij} + \delta_j - \delta_i) \quad (4.84)$$

$$I_{Q\delta_{ij}} = \frac{\partial Q}{\partial \delta_j} = -|V_i||V_j||Y_{ij}| \cos(\theta_{ij} + \delta_j - \delta_i) \quad (4.85)$$

$$I_{Q|V|ij} = \frac{\partial Q_i}{\partial |V|_j} |V|_j = -|V_i||V_j||Y_{ij}| \sin(\theta_{ij} + \delta_j - \delta_i) \quad (4.86)$$

Postupak za rješavanje proračuna tokova snaga korištenjem Newton-Raphson metode izvodi se na sljedeći način.

- Unose se podaci o elementima i sabirnicama te se stvara matrica admitancija.
- Obično se u početnoj iteraciji svi nepoznati kutovi napona sabirnica postavljaju na nulu, a svi nepoznati iznosi napona sabirnica na jedinične vrijednosti te se računa prvo rješenje.
- Potom se računa vektor pogreške. Ukoliko su vrijednosti vektora unutar zadanih tolerancija, postignuto je rješenje. Ako rješenje nije postignuto potrebno je nastaviti s koracima.
- Računaju se elementi podmatrica i računaju novi iznosi i kutovi napona na sabirnicama uvećani za vektor pogreške.
- Broj iteracije se povećava za jedan i ponovno se računa vektor pogreške s novim vrijednostima.
- Nakon što se postigne odgovarajući vektor pogreške pristupa se izračunu tokova snaga, gubitaka u mreži i snage sabirnice regulacijske elektrane.

4.4. Izbor napredne zaštitne sheme za ublažavanje poremećaja

Prilikom izbora bilo koje zaštitne sheme za ublažavanje poremećaja u promatranom dijelu sustava potrebno je poznavati rad lokalnog sustava relejne zaštite kako se ne bi nepotrebno narušila koordinacija njegova djelovanja uvođenjem novih zaštitnih shema. Kvalitetna koordinacija sustava relejne zaštite i NZS-a dijela sustava rezultirat će uspješnim ublažavanjem i uklanjanjem mogućih poremećaja na širokom području te održavanjem sigurnosti i cjelovitosti sustava. Obzirom na složenost provođenja jedne ili više naprednih

mjera djelovanja zaštitnih shema, sustav zaštite cjelovitosti može privremeno blokirati djelovanje rezervnih zaštitnih funkcija lokalnih sustava relejne zaštite kako bi osigurao dovoljno vremena za provođenje svojih naprednih mjera.

Mjere djelovanja NZS-a za ublažavanje poremećaja mogu se svrstati u dvije osnovne grupe:

- mjere koje održavaju postojeću razinu proizvodnje i potrošnje sustava te
- mjere koje isključuju postojeću razinu proizvodnje ili potrošnje sustava.

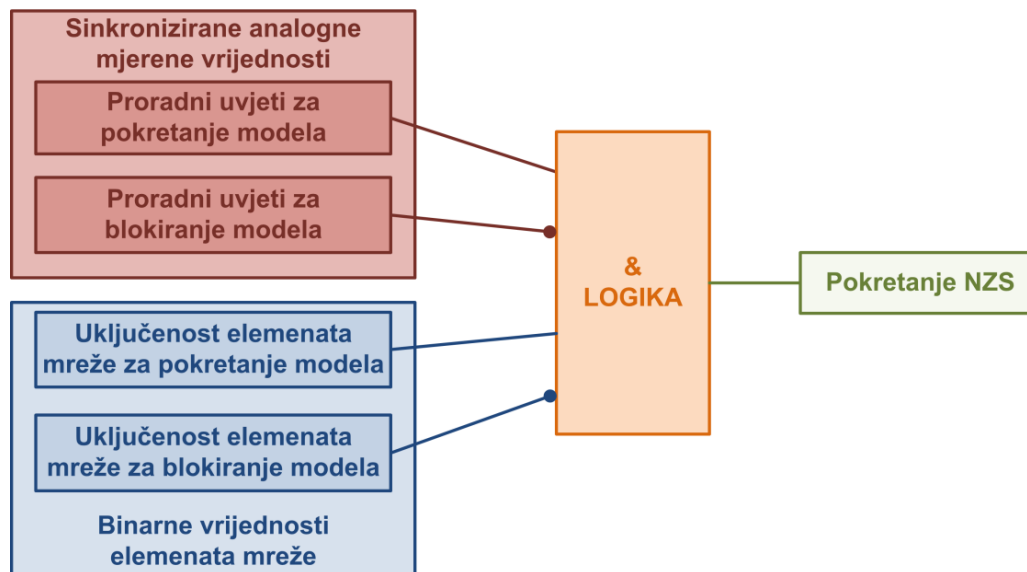
Prva grupa mjera djelovanja odnosi se na naprednu shemu izmjene topologije mreže, dok se druga grupa odnosi na sheme rasterećenja i smanjenja proizvodnje. Napredne sheme izmjene topologije mreže i optimalnog rasterećenja sustava bit će detaljnije opisane u nastavku disertacije kroz provjeru njezinih djelovanja na primjeru IEEE test sustava s 14 sabirnica i primjenu na stvarnim dijelovima EES-a Hrvatske.

4.5. Preliminarni prijedlog aktivnosti i uvjeti pokretanja napredne zaštitne sheme

Prilikom definiranja NZS-e potrebno je svakoj pojedinoj shemi dodijeliti posebnu jednoznačnu oznaku. Uz dodjelu jednoznačne oznake također je potrebno detaljno opisati shemu u smislu definiranja na koje postrojenje djeluje, da li je u pitanju razdvajanje sustava sabirnica putem spojnog polja ili je u pitanju otpuštanje tereta odnosno smanjenje proizvodnje. Ako je u pitanju razdvajanje sustava sabirnica potrebno je točno definirati koji se odvodi spajaju na koji sustav sabirnica, a u slučaju otpuštanja tereta ili smanjenja proizvodnje potrebno je definirati točan popis tereta ili proizvodnih jedinica. Prijedlog aktivnosti je usko povezan s izborom mjere djelovanja te se detaljniji opis daje u poglavljima uz pojedini model djelovanja.

Uvjeti za pokretanje NZS-e (slika 4.4) sastoje se od definiranja dvije grupe uvjeta koji će jednoznačno odrediti pokretanje potrebne zaštitne sheme. Prva grupa uvjeta odnosi se na uspoređivanje stvarnih analognih mjerenih vrijednosti prikupljenih korištenjem sinkroniziranih mjernih jedinica s predefiniranim vrijednostima određenim na temelju provedenih detaljnih analiza. Druga grupa uvjeta odnosi se na uspoređivanje potrebnih uklopnih stanja pojedinih elemenata u mreži s predefiniranim, određenim također na temelju detaljnih analiza. Obije grupe uvjeta sastoje se od svojih elemenata za pokretanje i blokiranje sheme. Princip pokretanja pojedine zaštitne sheme leži u činjenici kako moraju biti zadovoljeni baš svi uvjeti predodređeni za pokretanje. U posebnim slučajevima moguće je

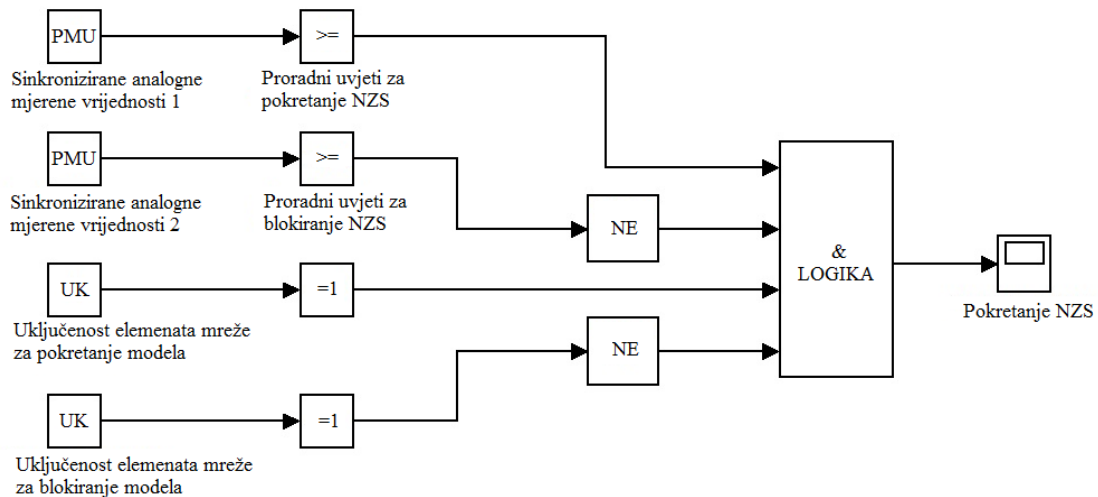
dozvoliti pokretanje zaštitne sheme iako nisu zadovoljeni svi uvjeti, ali taj dio nije razmatran u disertaciji, nego se može koristiti kao tema za buduća istraživanja.



Slika 4.4 Kriteriji za pokretanje napredne zaštitne sheme

4.6. Provjera pokretanja napredne zaštitne sheme

Kada se definiraju zahtjevi na izvođenje i dizajn NZS-e može se pristupiti simuliranju njezinog pokretanja. Potrebno je izraditi simulacije pokretanja svake pojedine NZS-e te potvrditi potpunu funkcionalnost i ispravnost pokretanja osmišljenih NZS-a na temelju zadanih uvjeta. Po potrebi je nakon simulacije pokretanja osmišljene zaštitne sheme dozvoljeno uskladiti njezino pokretanje s definiranim zahtjevima ukoliko se primijete određene nepravilnosti u njezinom funkcioniranju. U nastavku je prikazan predložak za simuliranje pokretanja NZS-e u programskom okruženju Matlab koji je korišten u disertaciji (slika 4.5).



Slika 4.5 Predložak za simuliranje pokretanja napredne zaštitne sheme

4.7. Procjena sigurnosti rada mreže korištenjem napredne zaštitne sheme

Svaka će primjena NZS-a manje ili više utjecati na tokove snaga, opterećenje vodova i naponske prilike u promatranom dijelu mreže pa je iz navedenog razloga bitno provesti detaljnu procjenu sigurnosti sustava u cjelini nakon provođenja zamišljenih NZS-a. Potrebno je izraditi potvrdu korisnosti izrade NZS-e i procjenu sigurnosti sustava u cjelini nakon primjena sheme za sve zamišljene napredne modele djelovanja. Potvrda korisnosti izrade NZS-a i procjena sigurnosti sustava u cjelini nakon njezinih primjena sastoji se od usporedbe naponskih prilika, tokova snaga, opterećenja vodova te razine proizvodnje, potrošnje i razmjene sustava korištenjem i bez korištenja predloženih NZS-a.

5. HEURISTIČKI MODEL ZA PROMJENU TOPOLOGIJE MREŽE ZASNOVAN NA SINKRONIZIRANIM MJERENJIMA FAZORA S CILJEM OČUVANJA SIGURNOSTI

5.1. Definiranje heurističkog modela za promjenu topologije mreže

Napredna shema promjene topologije mreže karakterizira ostanak svih elemenata na mreži, tj. spada u grupu mjera koje održavaju postojeću razinu proizvodnje i potrošnje sustava. Koristi se princip preraspodjele opterećenja kako bi se ublažila opterećenja u ugroženim dijelovima mreže. Prilikom njezina korištenja nema posljedica za sudionike priključene na elektroenergetsku mrežu.

Ublažavanje zagušenja promjenom topologije mreže u suštini se odnosi na razdvajanje ili spajanje sustava u drugačije povezane cjeline. Razdvajanje ili spajanje sustava izvodi se razdvajanjem ili spajanjem različitih sustava sabirnica ili njihovih sekcija u dijelovima sustava gdje to izvedba primarne i sekundarne opreme omogućava. Bitno je istaknuti kako će svako razdvajanje ili spajanje sustava manje ili više utjecati na tokove snaga i naponske prilike u promatranoj mreži pa je iz navedenog razloga bitno provesti detaljnu procjenu sigurnosti sustava nakon provođenja zamišljenih mjera djelovanja. Moguće je da jedna shema promjene topologije mreže ugrozi drugi dio mreže. U tom slučaju potrebno je pokušati ukloniti i novonastalo povećano ili nedozvoljeno opterećenje sve dok se mreža ne dovede u stacionarno sigurno stanje.

Prilikom analize mreže u svrhu izrade napredne sheme promjene topologije mreže može se dogoditi kako niti jedna analiza neće ukazati na mogućnost izrade niti jedne napredne sheme promjene topologije mreže zato što je možda primarni sustav nedovoljno prilagodljivo izgrađen, zato što možda sekundarni sustavi ne mogu adekvatno odgovoriti na zahtjeve zamišljenog modela ili iz nekih drugih razloga. U tim slučajevima dozvoljeno je potražiti rješenje ublažavanja poremećaja u drugoj grupi mjera djelovanja NZS-a koje ne održavaju postojeću razinu proizvodnje i potrošnje sustava.

Heuristička metoda se temelji na pretpostavci kako uvijek postoje dva osnovna načina ublažavanja opterećenja na preopterećenim vodovima. Preopterećenja se mogu ublažiti razdvajanjem energetski najbližih sustava sabirnica iz kojeg snaga dolazi ili u koji snaga odlazi. Kako bi se utvrdile moguće kombinacije razdvajanja sustava sabirnica potrebno je utvrditi smjer tokova snaga svih elemenata spojenih na sabirnice na početku i na kraju

preopterećenog objekta. Iznosi tokova snaga između promatranih sabirnica u istoj stanici također mogu pomoći pri izboru mogućih kombinacija razdvajanja. Kada se pronađe prva uspješna kombinacija razdvajanja najbližih sustava sabirnica završava se proces potrage. Iako možda pronađeno rješenje nije optimalno, ono je dovoljno brzo i jednostavno za korištenje heuristički princip otklanjanja preopterećenja.

U tablici 5.1 je prikazan predložak za definiranje napredne sheme promjene topologije mreže u vidu razdvajanja sustava sabirnica u određenom postrojenju.

Tablica 5.1 Predložak NZS-e promjene topologije mreže

NZS	Ime NZS
Stanica	Ime stanice
Sabirnice I	Popis polja koje je potrebno povezati na sustav sabirnica I
Sabirnice II	Popis polja koje je potrebno povezati na sustav sabirnica II
...	
Sabirnice N	Popis polja koje je potrebno povezati na sustav sabirnica N

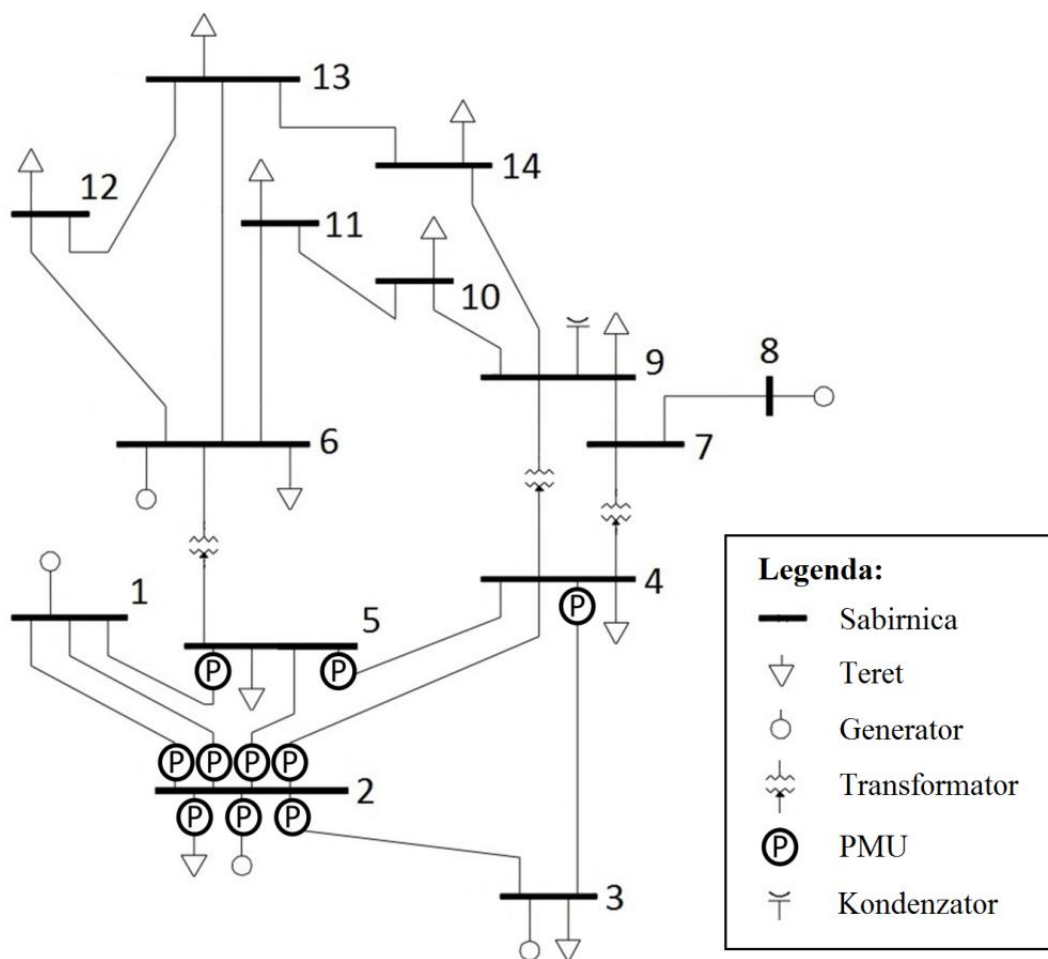
Sve moguće kombinacije razdvajanja se pretpostavljaju i ispituju korištenjem programskog alata za analizu rada mreže sve dok se ne pronađe odgovarajuća topologija koja ublažava opterećenje promatranog dijela mreže. Ukoliko ispitivanja ukažu na više mogućih kombinacija topologije koje ublažavaju opterećenje, izbor najpovoljnije opcije izvodi se kroz usporedbu procjene sigurnosti u zadnjem koraku metode za izradu NZS-a. Traženje rješenja razdvajanja sustava sabirnica se izvodi izvan realnog vremena na temelju detaljnih proračuna izmjeničnog modela mreže.

5.2. Provjera heurističkog modela za promjenu topologije mreže na IEEE ispitnom sustavu

Provjera rada opisanog heurističkog modela za promjenu topologije mreže izvedena je na IEEE ispitnom sustavu s 14 sabirnica (slika 5.1). Podaci osnovnog IEEE ispitnog sustava s 14 sabirnica prikazani su u prilogu 1. Analiza rada ispitnog sustava napravljena je korištenjem programskog alata PSS/E. Osnovni IEEE ispitni sustav s 14 sabirnica nema

definirana dozvoljena opterećenja vodova pa su radi ispitivanja modela za promjenu topologije mreže pretpostavljene sljedeće stavke:

- dozvoljeno opterećenje vodova koji povezuju sabirnice 1 do 5 je 130 MVA
- dozvoljeno opterećenje transformatora je 85 MVA
- dozvoljeno opterećenje vodova koji povezuju sabirnice 6 do 14 je 70 MVA
- sabirnice 2 su izvedene kao dvostruke sabirnice te je moguće uključiti bilo koji element na bilo koji sustav sabirnica 2



Slika 5.1 IEEE ispitni sustav s 14 sabirnica s prijedlogom smještaja sinkroniziranih mjernih uređaja za potrebe heurističkog modela za promjenu topologije mreže

5.2.1. Opis osnovnog scenarija

Analiza ispitnog sustava izvedena je na osnovnom scenariju bez promjena na početne postavke modela. Podaci o IEEE ispitnom sustavu s 14 sabirnica preuzeti su sa stranica

Sveučilišta u Washington-u [36]. Osnovni scenarij karakterizira smještaj većine proizvodnje u sabirnicama 1, a manji dio u sabirnicama 2. Sabirnice 3, 6 i 8 su modelirane sa sinkronim kompenzatorima koji održavaju naponske prilike unutar dozvoljenih granica. Slika 5.2 prikazuje proračun tokova snaga osnovnog scenarija IEEE ispitnom sustavu s 14 sabirnica s vrijednostima prividne snage i postotnih opterećenja elemenata.

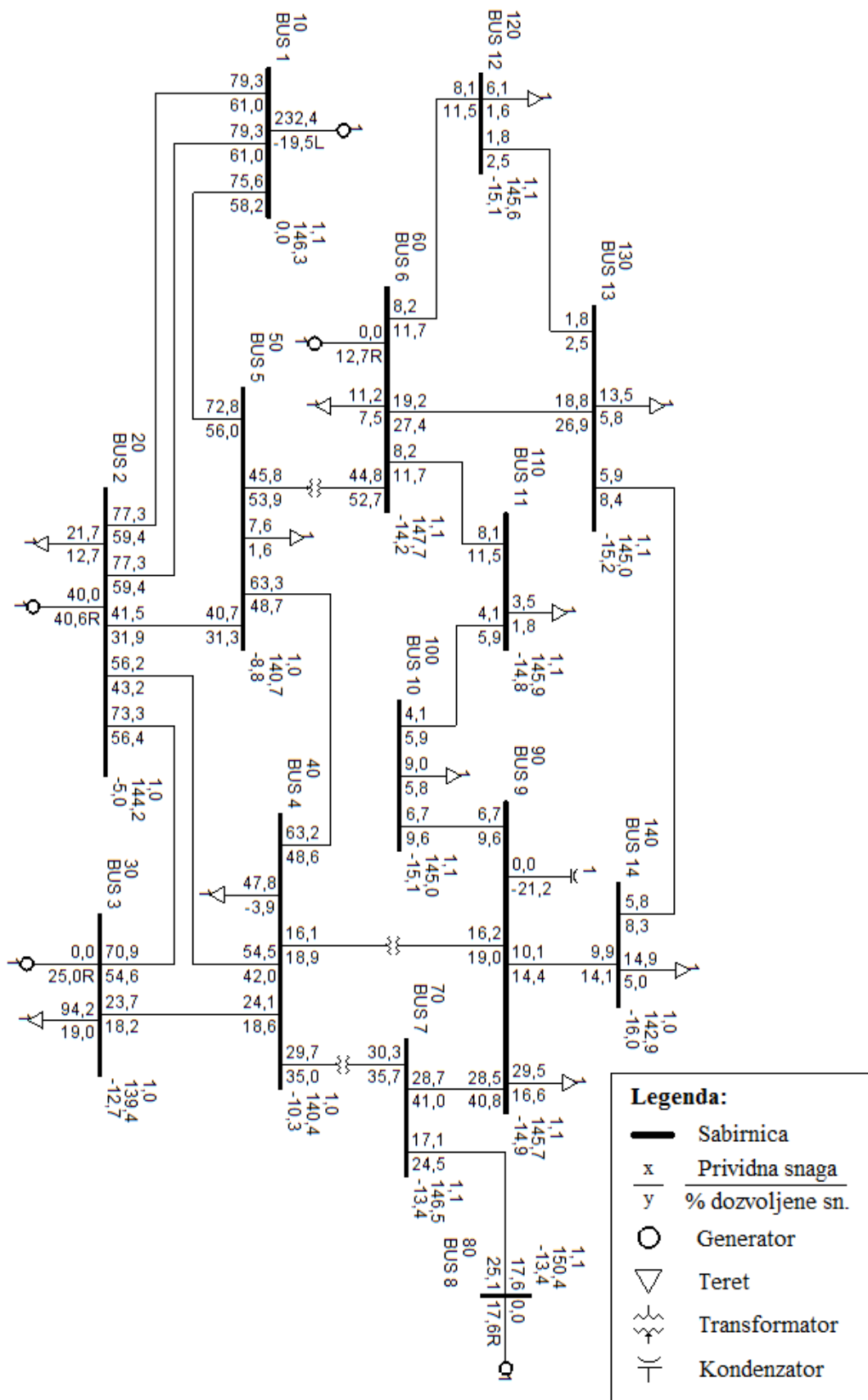
5.2.2. N-1 analiza osnovnog scenarija

N-1 analiza osnovnog scenarija ukazala je na dvije problematične situacije u kojima kriteriji sigurnosti rada sustava nisu ispunjeni. Kada se isključi jedan od vodova između sabirnica 1 i 2, drugi vod između istih sabirnica postane preopterećen (138,7 MVA). Slika 5.3 prikazuje proračun tokova snaga za N-1 analizu kod isključenog voda 1-2(1) na kojem se vidi preopterećeno stanje voda 1-2(2). U sljedećem koraku razvoja NZS-e potrebno je utvrditi da li postoji heuristički model za promjenu topologije mreže koji može ublažiti nastalo preopterećenje.

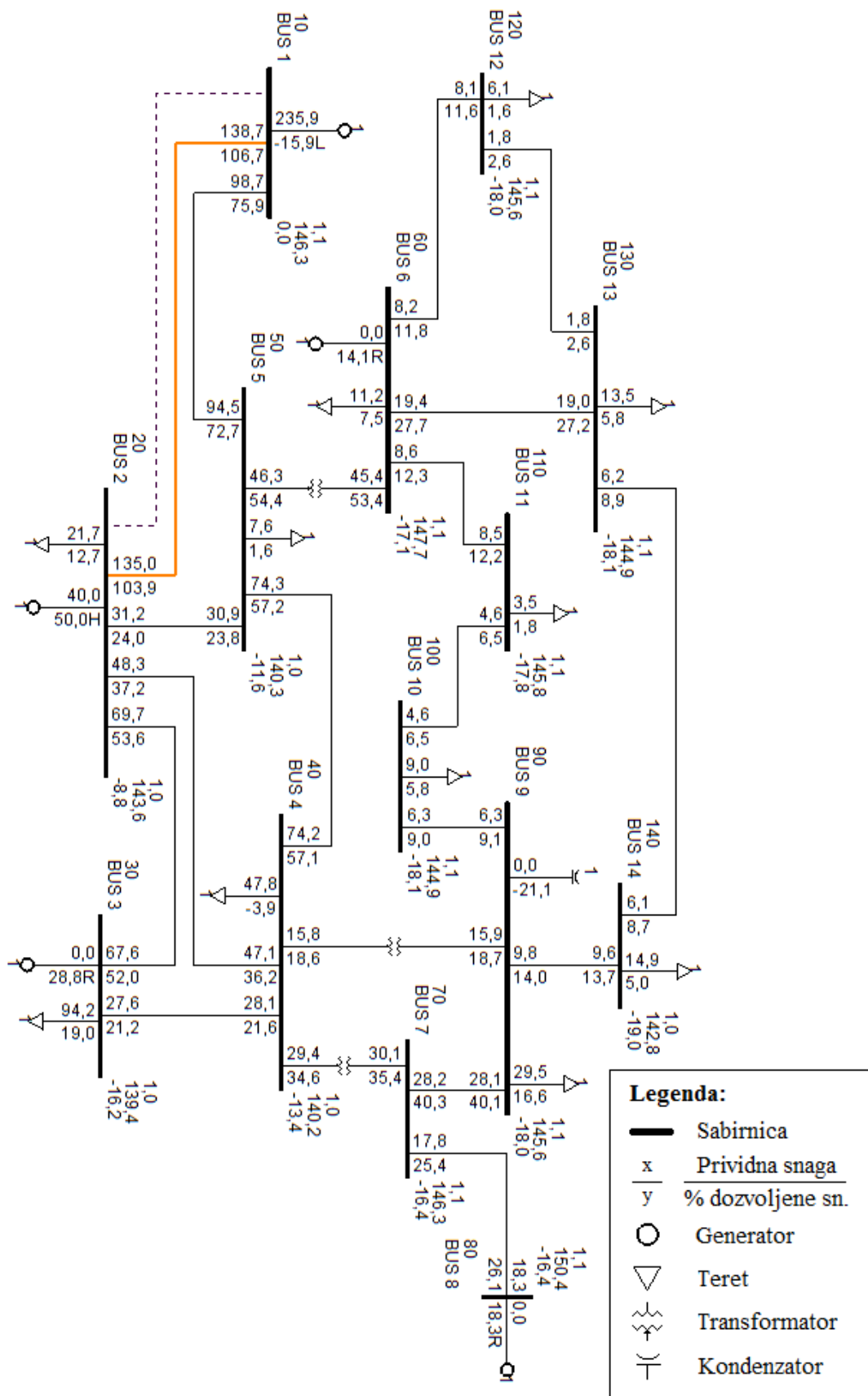
5.2.3. Izbor heurističkog modela za promjenu topologije mreže NZS IEEE 14 A

Kao što je već opisano u poglavlju 5.1, kod definiranja heurističkog modela za promjenu topologije mreže može se pretpostaviti kako uvijek postoje dva osnovna načina za ublažavanje opterećenja na preopterećenom vodu. Opterećenje voda je moguće ublažiti promjenom topologije mreže iz koje snaga dolazi ili u koju snaga odlazi. Pošto je generator jedini izvor energije koji ulazi u sabirnice 1, nije moguće eliminirati preopterećenje voda 1-2(2) promjenom topologije mreže iz koje snaga dolazi. Sabirnica 2 povezuje šest elemenata mreže od čega su četiri voda, jedan generator i jedan teret. Potrebno je provjeriti da li se razdvajanjem sabirnica 2 može postići ublažavanje opterećenja na vodu 1-2(2).

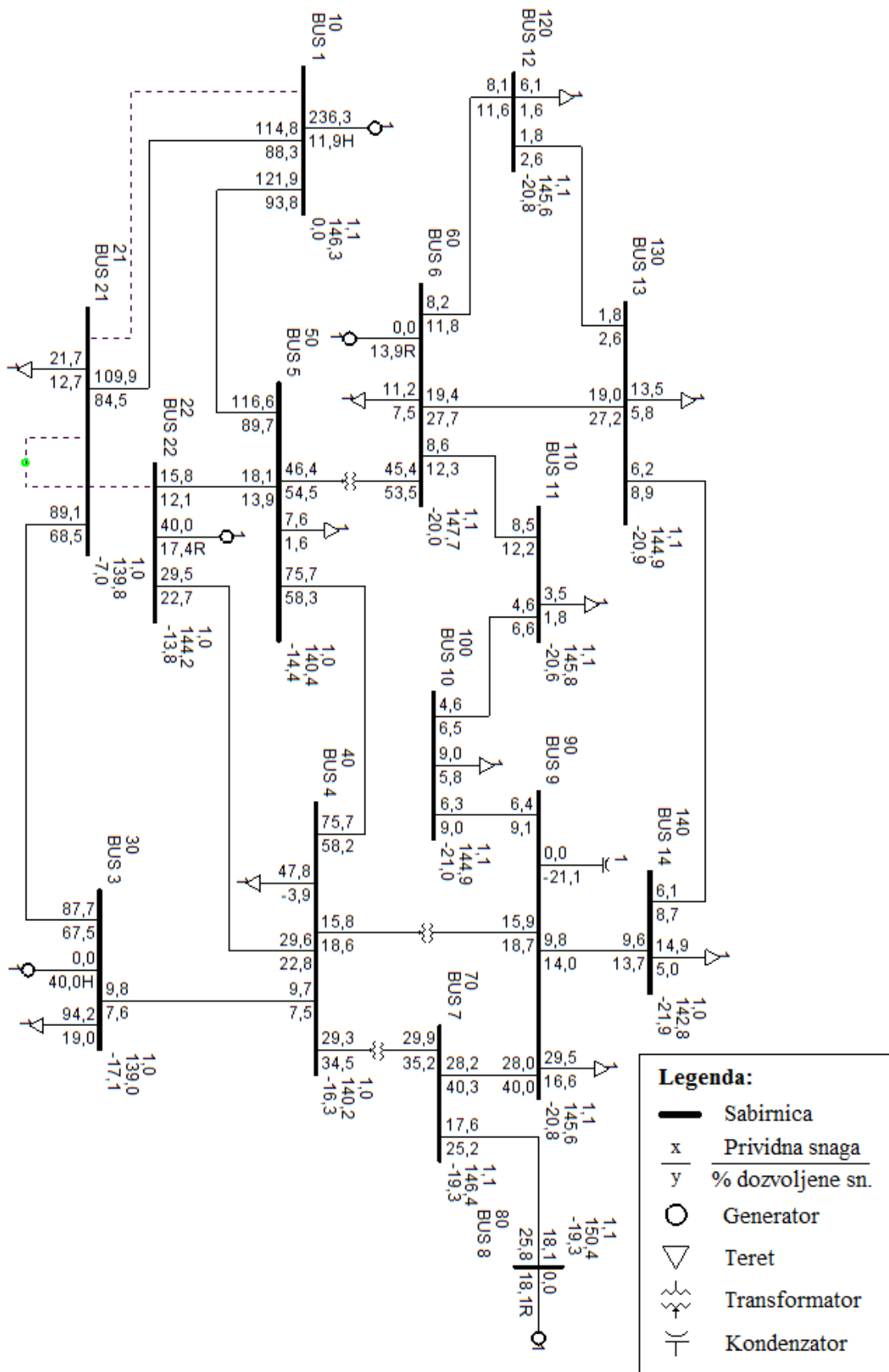
Može se utvrditi kako dva elementa, vod 1-2(2) i generator, vode energiju u sabirnice 2, a ostala četiri elementa, vodovi 2-3, 2-4, 2-5 i teret, odvede energiju iz sabirnica 2. Pretpostavljeno je pet mogućih kombinacija razdvajanja sabirnica 2 korištenjem kombinatornih i heurističkih metoda. Nakon ispitivanja svih pet pretpostavljenih kombinacija izabrana je jedna koja razdvaja sabirnice 2 na dva sustava s po tri elementa. Model razdvajanja sabirnica nazvan je NZS IEEE 14 A i definiran je u tablici 5.2. Slika 5.4 prikazuje uspješno ublažavanje preopterećenja voda 1-2(2) korištenjem NZS-e IEEE 14 A.



Slika 5.2 Proračun tokova snaga osnovnog scenarija s prikazom prividne snage i postotnih opterećenja vodova



Slika 5.3 N-1 analiza voda 1-2(1) s prikazom privedne snage i postotnih opterećenja vodova



Slika 5.4 Provjera djelovanja NZS IEEE 14 A na izmjeničnom modelu mreže

Tablica 5.2 Predloženi heuristički model promjene topologije mreže NZS IEEE 14 A

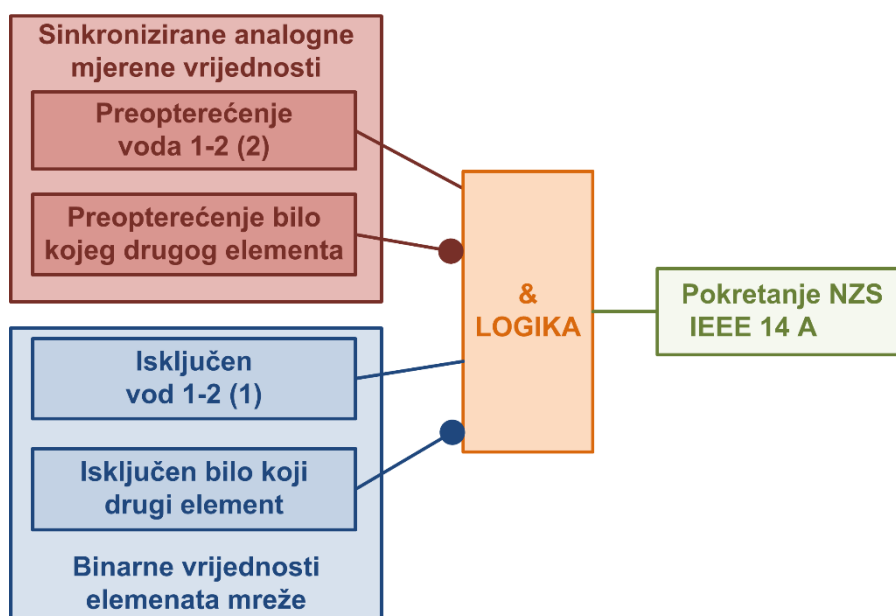
NZS	IEEE 14 A
Stanica	2
Sabirnice21	Vod 1-2 (2) i 2-3 te teret
Sabirnice22	Vod 2-4 i 2-5 te generator

5.2.4. Preliminarni prijedlog aktivnosti i uvjeti pokretanja NZS IEEE 14 A

Uvjeti pokretanja predloženog modela definirani su s dvije grupe uvjeta:

- sinkronizirana mjerenja – vod 1-2(2) je preopterećen, svi drugi nadzirani vodovi su unutar granica svojih opterećenja,
- uklopno stanje mreže – vod 1-2(1) je isključen, svi ostali vodovi su uključeni.

Grafički prikaz uvjeta pokretanja predloženog modela podržan sinkroniziranim mjerenjima dan je na slici 5.5.



Slika 5.5 Uvjeti pokretanja NZS-e za IEEE ispitni sustav s 14 sabirnica

Uvjeti pokretanja izabrane NZS-e će uvelike definirati smještaj uređaja za sinkronizirana mjerenja. Ostali faktori koji mogu utjecati na smještaj uređaja za

sinkronizirana mjerenja mogu biti povezani uz probleme komunikacijske povezanosti ili dostupnosti GPS signala.

Smještaj uređaja za sinkronizirana mjerenja je dobro istražena i razvijena tema pošto se pojavljuje u početnom korištenju tehnologije sinkroniziranih mjerenja [37] i [38]. Rad [39] predstavlja tehnike smještaja uređaja za sinkronizirana mjerenja na temelju potpunog i nepotpunog nadzora sustava. Nepotpuni nadzor sustava opisan je konceptom dubine nenadziranog područja koji direktno utječe na ukupni broj potrebnih uređaja za sinkronizirana mjerenja. Rad [40] predstavlja metodu kritičnih lokacija zajedno s metodom nadzora. Metoda kritičnih lokacija sastoji se od određivanja sabirnica s velikim brojem spojenih elemenata ili s graničnim vrijednostima naponskih prilika koji mogu utjecati na sigurnost sustava u cijelosti. Oba rada ukazuju na činjenicu kako je smještaj uređaja za sinkronizirana mjerenja u primjeni NZS-a potrebno bazirati na metodi potpunog nadzora sustava. Primjer smještaja uređaja za sinkronizirana mjerenja u IEEE ispitnom sustavu s 14 sabirnica na temelju metode potpunog nadzora sustava prikazan je na slici 5.1.

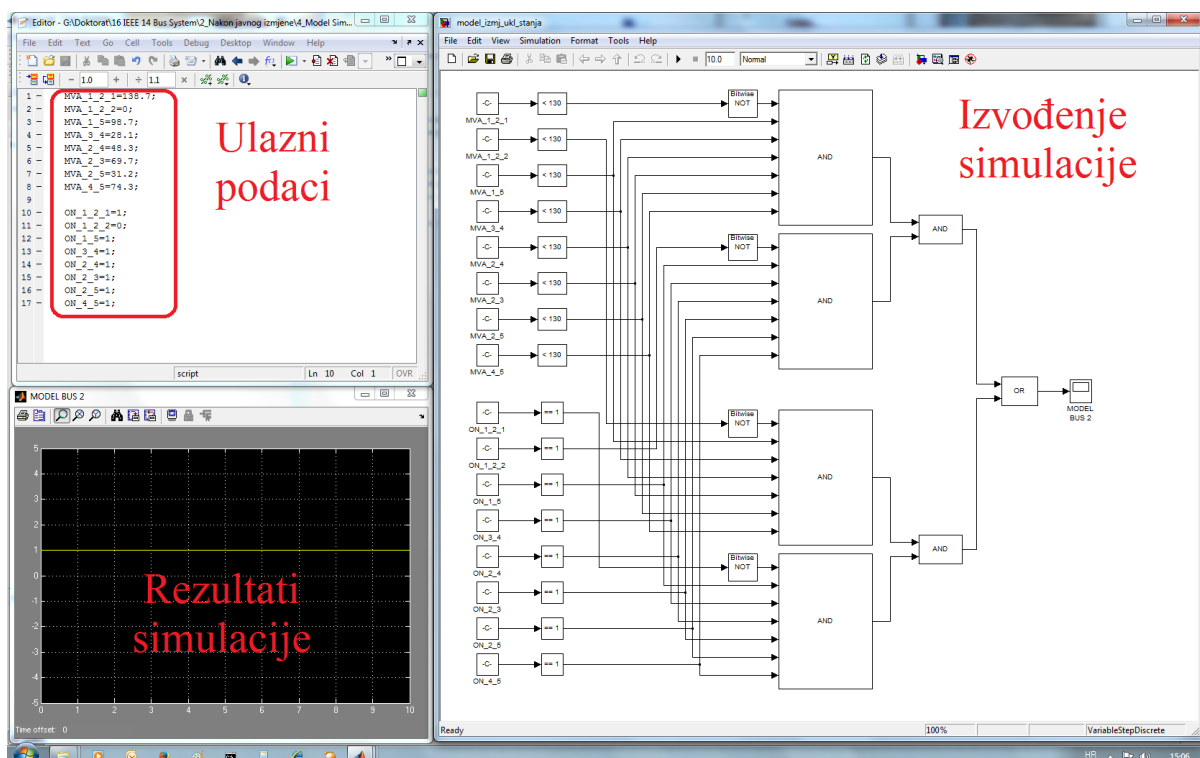
5.2.5. Provjera pokretanja NZS IEEE 14 A

Provjere pokretanja predloženih modela za promjenu topologije mreže napravljene su u programskom okruženju Matlab. Simulacije su potvrdile punu funkcionalnost i točnost pokretanja osmišljene NZS-e na temelju zadanih uvjeta. Slika 5.6 prikazuje zajedničke simulacije predloženog modela promjene topologije podržane sinkroniziranim mjerenjima na IEEE ispitnom sustavu s 14 sabirnica.

5.2.6. Procjena sigurnosti IEEE ispitnog sustava korištenjem NZS IEEE 14 A

Procjena sigurnosti IEEE ispitnog sustava s 14 sabirnica korištenjem predloženog modela sastoji se od usporedbe tokova snaga i naponskih prilika uključujući razinu proizvodnje, potrošnje, razmjene i gubitaka za svaki pojedini slučaj. Slika 5.7 prikazuje crvenom bojom dozvoljena opterećenja svih elemenata IEEE ispitnog sustava s 14 sabirnica.

N-1 analiza kod isključenog voda 1-2(1) jasno prikazuje preopterećeno stanje voda 1-2(2). Bez poduzimanja protumjera, kao što je primjerice pokretanje NZS podržane sinkroniziranim mjerenjima, dogodit će se isključenje preopterećenog voda djelovanjem lokalnog sustava relejne zaštite i kaskadnog raspada cijelog promatranog sustava. Iz navedenog prikaza je jasno kako će se korištenjem izabrane NZS IEEE 14 A opterećenje voda 1-2(2) smanjiti unutar dozvoljenih granica.

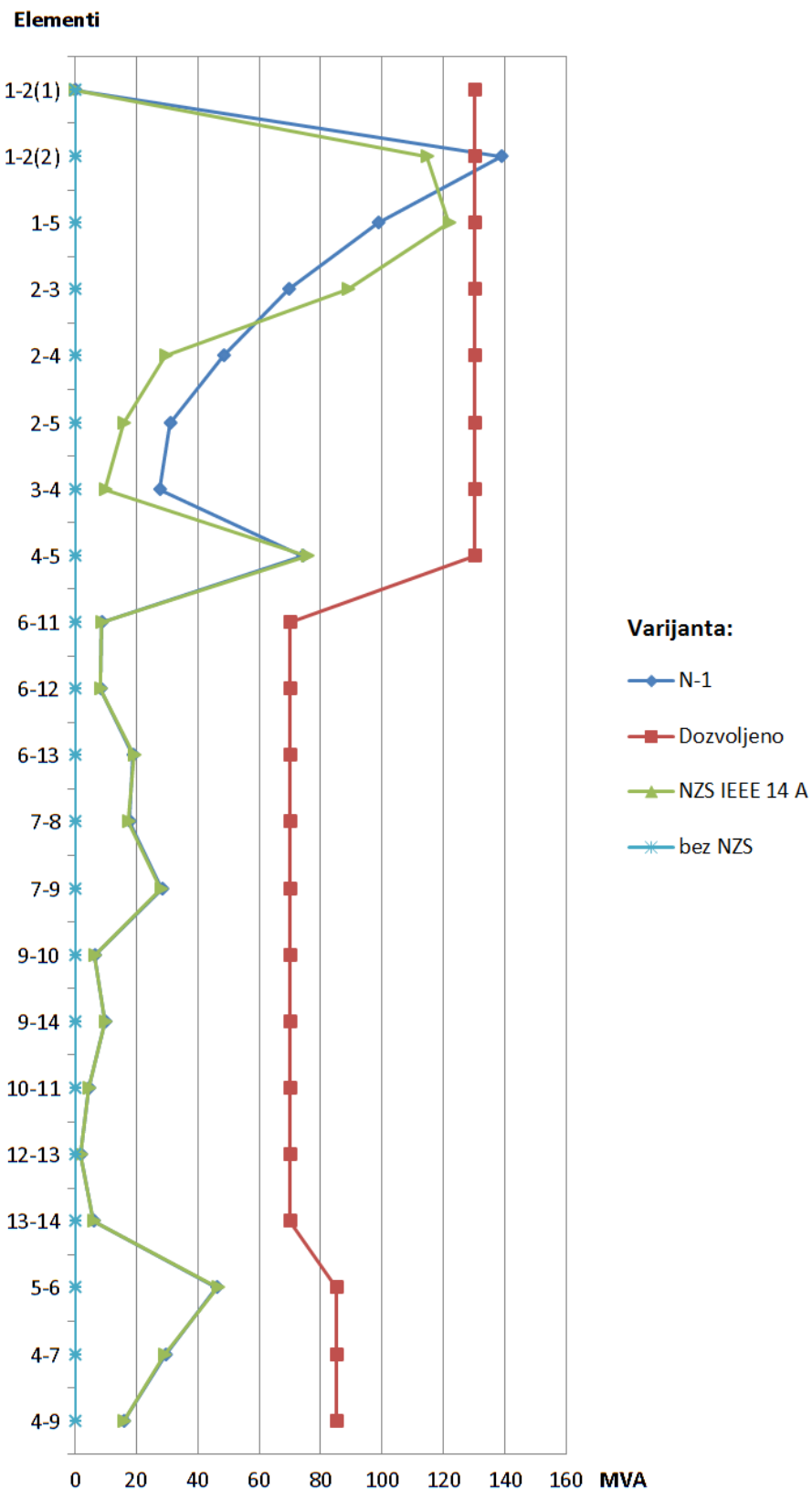


Slika 5.6 Simulacija pokretanja NZS-a za IEEE ispitni sustav s 14 sabirnica

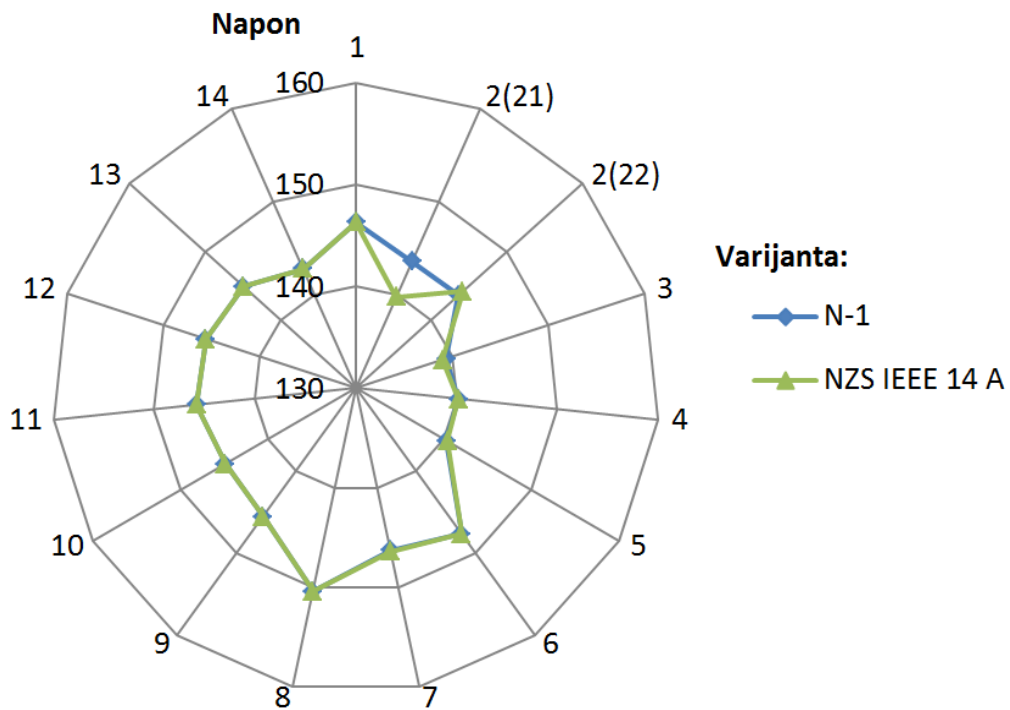
Slika 5.8 prikazuje usporedbu iznosa napona na svim sabirnicama ispitnog modela. Vidljivo je kako upotreba modela za izmjenu topologije mreže IEEE 14 A rezultira smanjenjem iznosa napona sabirnica 21 na kojima ostaje spojen teret i dva voda. Unatoč uočenom, korištenje navedenog modela djelovanja ne narušava cjelokupnu sigurnost sustava.

Slika 5.9 prikazuje usporedbu kutova napona na svim sabirnicama. Jasno je prikazano kako upotreba predloženog modela za izmjenu topologije mreže IEEE 14 A mijenja naponske prilike u odnosu na N-1 stanje. Kutovi napona između sabirnica generalno rastu razdvajanjem sustava u sabirnicama 2, ali ne narušavaju cjelokupnu sigurnost sustava.

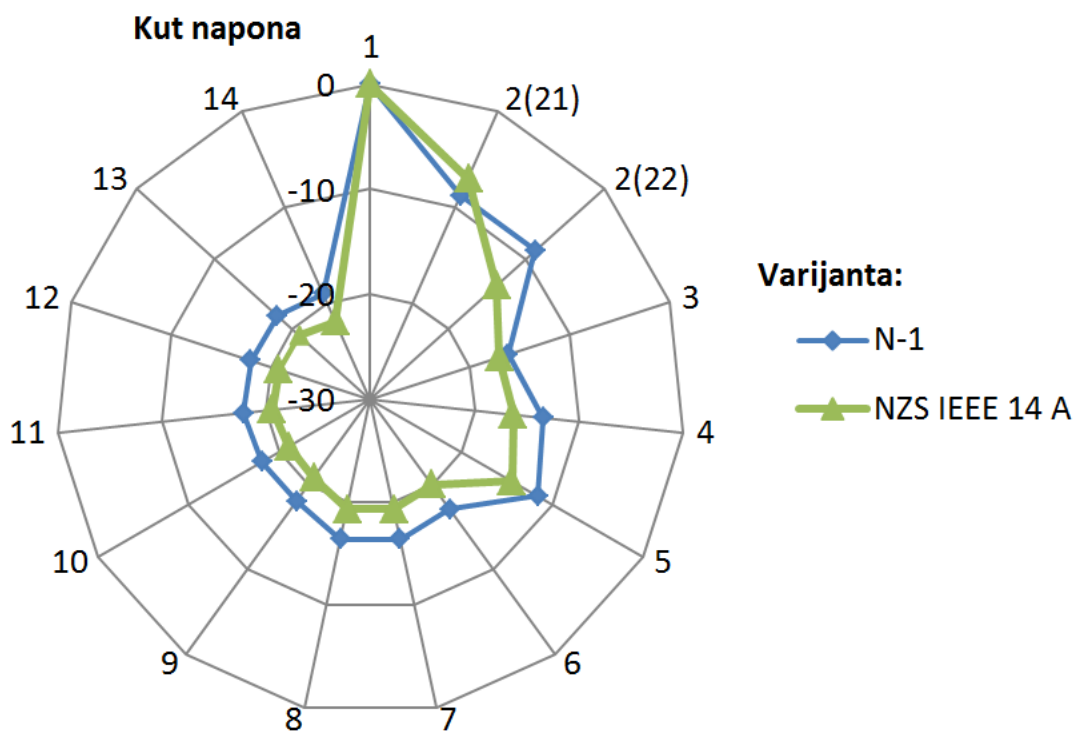
Slika 5.10 jasno prikazuje kako se primjenom IEEE 14 A modela za promjenu topologije mreže uzrokuju neznatno veći gubici u mreži u odnosu na N-1 stanje. Pri tome se zadržava postojeća razina proizvodnje i potrošnje ispitnog sustava. Može se zaključiti kako upotreba predloženog modela rezultira zadovoljavajućim sigurnosnim kriterijima po pitanju tokova snaga i naponskih prilika te se predlaže njegovo korištenje u cilju ublažavanja potencijalnog preopterećenja dijela ispitnog sustava.



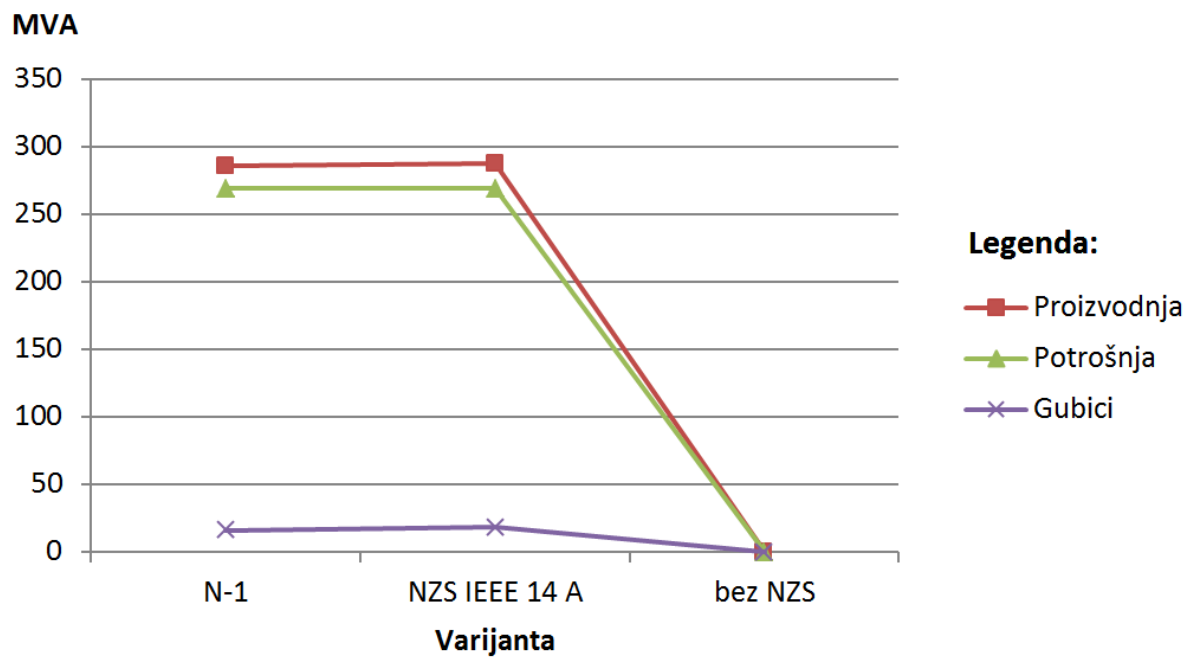
Slika 5.7 Usporedba prividne snage elemenata korištenjem NZS IEEE 14 A



Slika 5.8 Usporedba iznosa napona sabirnica korištenjem NZS IEEE 14 A



Slika 5.9 Usporedba kutova napona sabirnica korištenjem NZS IEEE 14 A



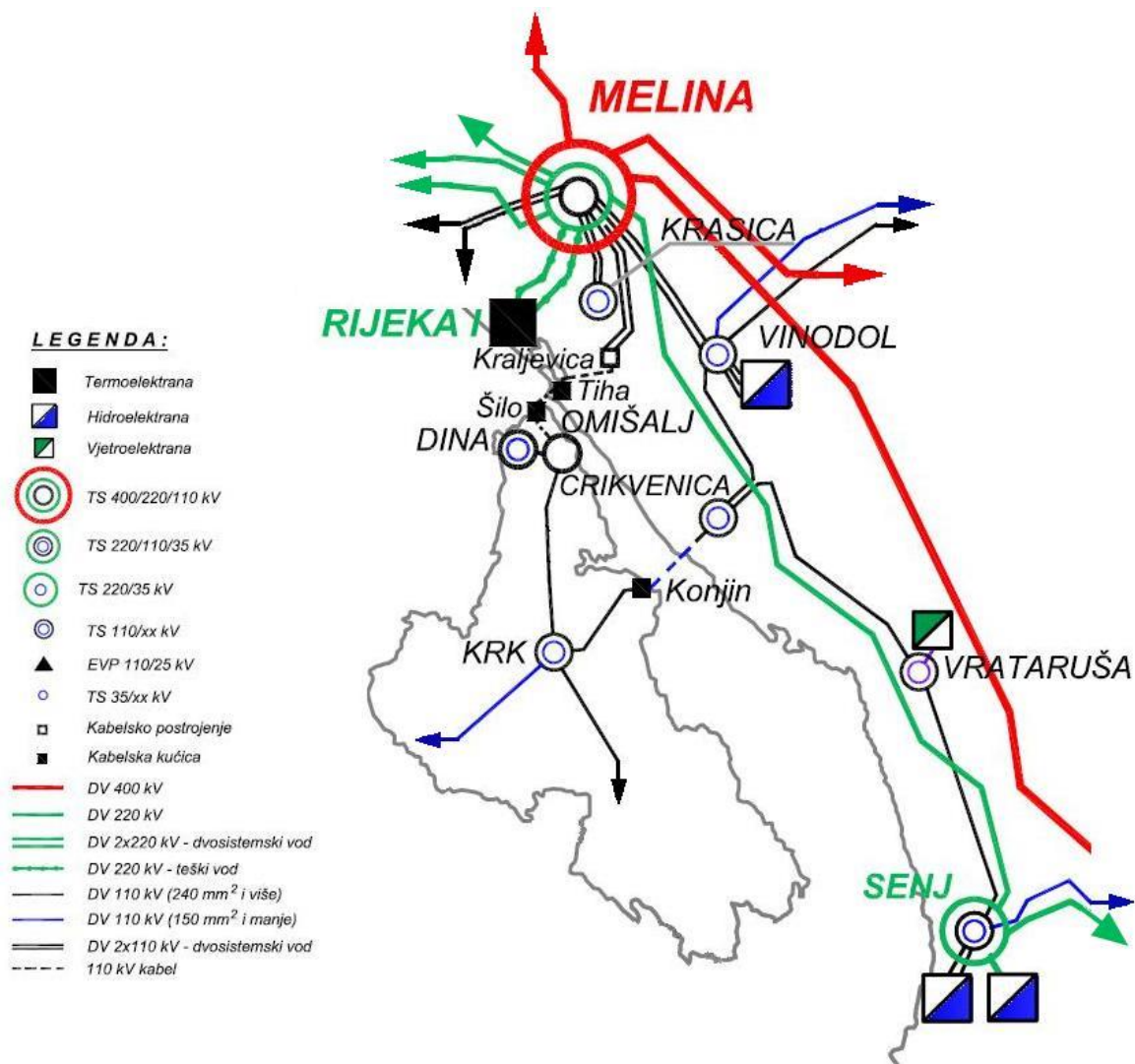
Slika 5.10 Usporedba proizvodnje, potrošnje i gubitaka korištenjem NZS IEEE 14 A

6. PRIMJENA HEURISTIČKOG MODELA ZA PROMJENU TOPOLOGIJE MREŽE NA PRIMJERU DIJELA PRIJENOSNE ELEKTROENERGETSKE MREŽE HRVATSKE U OKOLICI VE VRATARUŠA

Nova pogonska stanja, koja su analizirana u svrhu dobrog poznavanja rada EES-a Prijenosnog područja Rijeka i mogućih ušteda u prijenosu električne energije, uvjetovana su izgradnjom i priključkom vjetroelektrane Vrataruša te specifičnim vezama ostalih izvora unutar navedenog prijenosnog područja [41].

Struktura proizvedene električne energije u Hrvatskoj tijekom godine stalno se mijenja i prilagođava. Tako u jednom dijelu godine prevladava proizvodnja iz termoelektrana dok u drugom, relativno kraćem razdoblju, prevladava proizvodnja iz hidroelektrana. Uvoz energije varira ovisno o ukupnoj proizvodnji i potrebama EES-a. U kontinentalnom dijelu zemlje smještene su sve veće termoelektrane, a na jugu najveće hidroelektrane. U vrijeme povoljnih hidroloških uvjeta bilježi se prijenos energije od juga prema sjeveru Hrvatske. Na tom koridoru izgrađen je vjetropark Vrataruša koji pri povoljnim uvjetima vjetra može izazvati određene nestabilnosti u sustavu kao što je preopterećenje prijenosnih dalekovoda. VE Vrataruša ima 14 agregata ukupne snage 42 MW i spojena je na 110 kV mrežu između dvije hidroelektrane: HE Senj (210 MW) i HE Vinodol (84 MW) (slika 6.1). Maksimalna proizvodnja energije HE Senj i VE Vrataruša prenosi se najvećim dijelom 110 kV dalekovodom Vrataruša – Crikvenica. Ovaj, inače visoko opterećen dalekovod, u određenim pogonskim uvjetima može zbog preopterećenja ili djelovanja zaštite biti isključen. Problem zagušenja dalekovoda se privremeno može riješiti ograničavanjem proizvodnje HE Senj, ali tad postoji opasnost od preljeva ionako punih akumulacija ove elektrane. Upravo ta činjenica i priključak vjetroelektrane predstavljaju osnovni problem plasmana njezine energije u mrežu [10].

Na dijelu EES-a Hrvatske prijenosnog područja Rijeka u okolici VE Vrataruša u određenim pogonskim uvjetima postoji mogućnost preopterećenja pojedinih dijelova mreže što u kombinaciji sa zatajenjem bilo kojeg dijela opreme može dovesti do raspada i težih posljedica za cijeli sustav. U takvim situacijama potrebna je pravodobna reakcija u vidu utjecaja na uklopno stanje i konfiguraciju sustava kako bi se izbjeglo eventualno širenje poremećaja na okolne dijelove [3].



Slika 6.1 Dio EES-a Hrvatske u okolini VE Vrataruša

Godine 2016. ugrađen je mrežni autotransformator s kosom regulacijom u HE Senj između 220 kV i 110 kV naponskih razina. Korištenjem kose regulacije na ugrađenom autotransformatoru djelomično se riješio problem zagušenja 110 kV mreže u hidrološki povoljnim uvjetima gdje se dio energije preusmjerava iz 110 kV u 220 kV mrežu. Doduše, problem zagušenja 110 kV mreže još uvijek je prisutan u slučaju kvara ili ispada mrežnog autotransformatora. Dio istraživanja vezan uz opisani problem prikazan je u radu [42], a rješenje opisanog problema korištenjem NZS-e zasnovane na sinkroniziranim mjerenjima prikazan je u nastavku disertacije.

6.1. Potvrda modela za analizu rada mreže korištenjem stvarnih sinkroniziranih mjerenja fazora

Model dijela prijenosne mreže Hrvatske u okolici VE Vrataruša razvijen je u programskom alatu za analizu rada mreže i proračun tokova snaga. Stvarna sinkronizirana mjerenja, koja su se prikupila tijekom provođenja ispitivanja novog mrežnog autotransformatora 220/110 kV s kosom regulacijom, korištena su za potvrdu napravljenog modela dijela prijenosne mreže. Sinkronizirana mjerenja prikupila su se korištenjem platforme WAMSTER [43] kao što je prikazano na slici 6.2. Šest uređaja za sinkronizirana mjerenja se privremeno postavilo u HE Senj na različita mjesta kako bi se snimale i pratile promjene tokova snaga i naponskih prilika u ovisnosti o položaju regulacijske preklopke autotransformatora s kosom regulacijom.

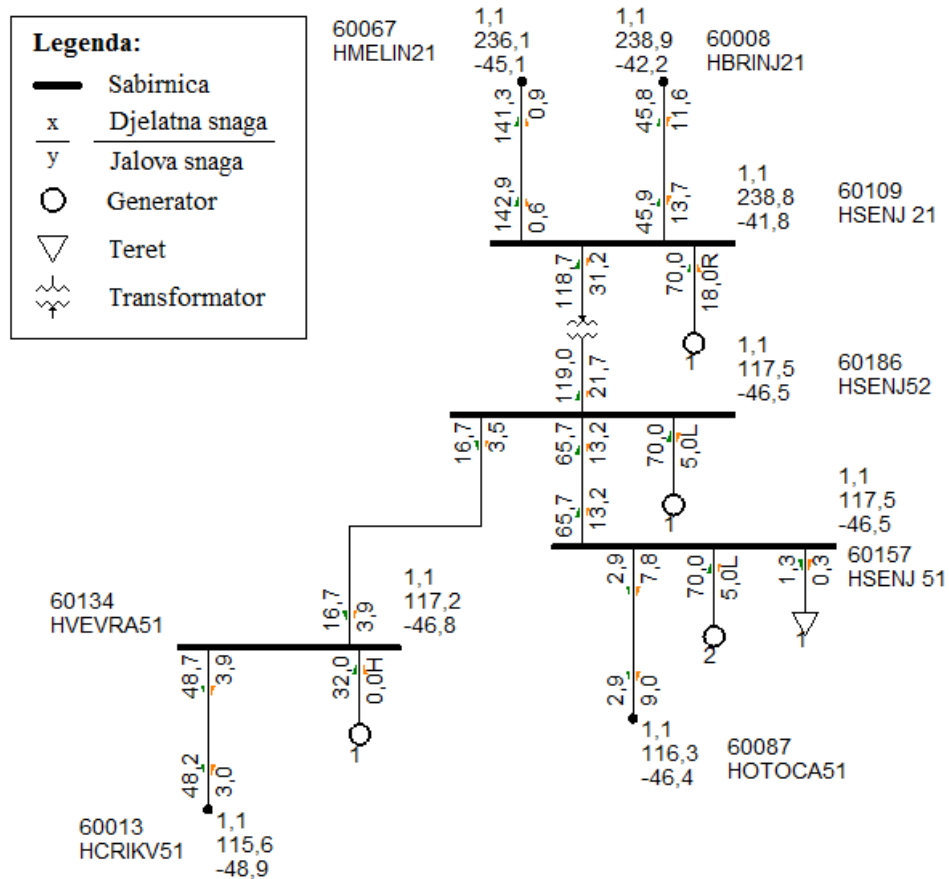


Slika 6.2 Stvarna sinkronizirana mjerenja snimljena korištenjem WAMSTER platforme

Usporedba rezultata dobivenih proračunom tokova snaga prikazanih na slici 6.3 i stvarnih izmjerenih vrijednosti tokova snaga prikazanih na slici 6.2. prikazani su u tablici 6.1. Može se zaključiti kako se razvijeni model dijela prijenosne mreže Hrvatske u okolici VE Vrataruša može koristiti kao podloga za razvoj NZS-a pošto je najveća izmjerena pogreška 4,4 %.

Tablica 6.1 Usporedba izračunatih i stvarnih mjerenih vrijednosti

Prijenosni vod/ autotransformator	Izračunati tokovi		Stvarna mjerenja WAMSTER		Pogreška %
	P (MW)	P (%)	P (MW)	P (%)	
220 kV Senj - Melina	141,3	45,6	128,7	41,5	4,1
220 kV Senj - Brinje	45,8	15,8	58,7	20,2	4,4
220/110 kV AT	118,7	65,9	118,4	65,7	0,2
110 kV Senj - Vrataruša	16,7	13,6	16,2	13,2	0,4
110 kV Senj - Otočac	2,9	3,3	0,9	1,0	2,3



Slika 6.3 Rezultati dobiveni proračunom tokova snaga

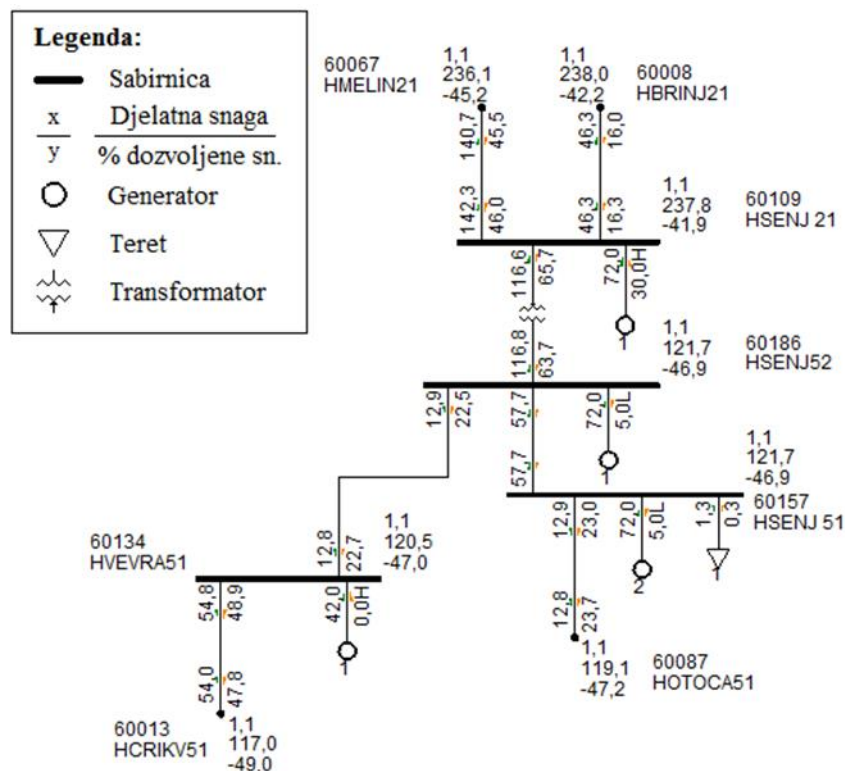
6.2. Opis analiziranog scenarija

Analizirani scenarij karakterizira maksimalna proizvodnja u HE Senj i VE Vrataruša pri čemu se očekuju najviši tokovi snaga na 110 kV potezu od HE Senj do TS Melina. U tablici 6.2 dani su iznosi maksimalne proizvodnje navedenih elektrana.

Tablica 6.2 Scenarij maksimalne proizvodnje

Scenarij	HE SENJ			VE VRATARUŠA
	G1 (MW)	G2 (MW)	G3 (MW)	Sve turbine (MW)
Maksimalna proizvodnja	72	72	72	42

Ugradnja mrežnog autotransformatora 220/110 kV s kosom regulacijom se pokazala kao dobro rješenje za ublažavanje tokova snage u 110 kV dijelu prijenosne mreže. Slika 6.4 prikazuje kako se veliki udio energije preusmjeri iz 110 kV dijela sustava u 220 kV korištenjem kose regulacije. Mogućnosti preopterećenja 110 kV mreže i ugrožavanja N-1 kriterija sigurnosti su smanjene ugradnjom autotransformatora s kosom regulacijom.



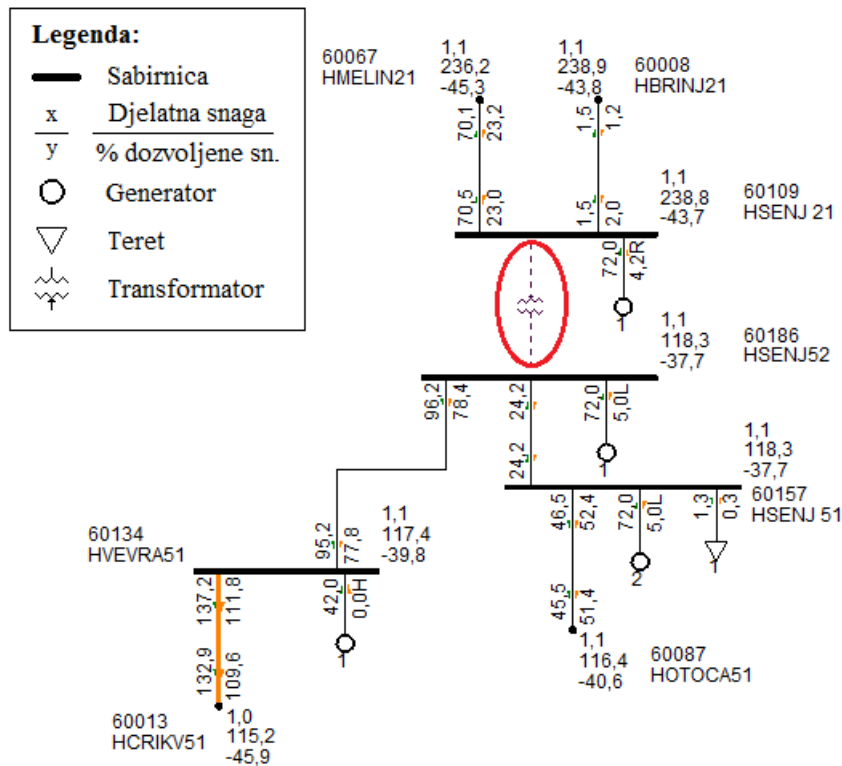
Slika 6.4 Proračun tokova snage za scenarij maksimalne proizvodnje

6.3. N-1 analize opisanog scenarija

Provedeno je pet N-1 analiza opisanog scenarija maksimalne proizvodnje s ispadima elemenata prema sljedećem popisu:

- DV 110 kV Vrataruša – Crikvenica,
- DV 110 kV Senj – Otočac,
- 220/110 kV AT u HE Senj,
- DV 220 kV Senj – Melina,
- DV 220 kV Senj – Brinje.

N-1 analiza ispada 220/110 kV autotransformatora s kosom regulacijom u HE Senj ukazala je na potencijalnu opasnost preopterećenja 110 kV dijela mreže u okolini VE Vrataruša. Na slici 6.5 prikazani su proračunati tokovi snaga i naponske prilike u slučaju isključenog stanja autotransformatora u HE Senj. Prijenosni vod 110 kV Vrataruša – Crikvenica preopteretiti se na iznos 137,2 MW (111,8 %) u slučaju analiziranog scenarija maksimalne proizvodnje.



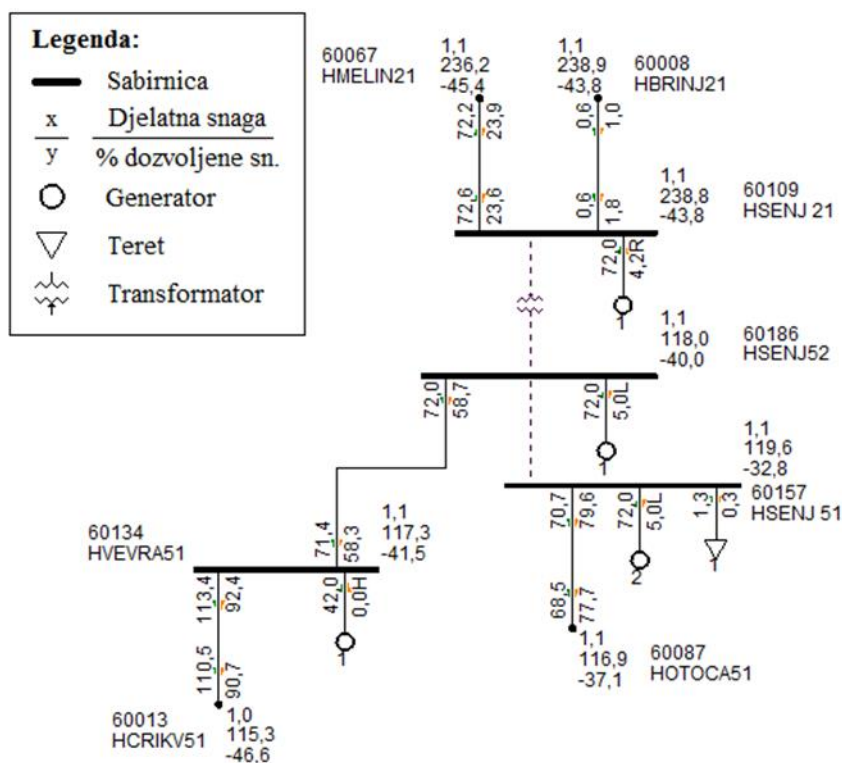
Slika 6.5 N-1 analiza ispada 220/110 kV AT u HE Senj

6.4. Izbor modela za promjenu topologije mreže NZS Senj

Pretpostavimo kako se opterećenje 110 kV voda Vrataruša – Crikvenica može ublažiti promjenom topologije mreže u dijelu sustava iz kojeg energija dolazi. Na temelju heurističkog modela promjene topologije mreže predlaže se razdvajanje sustava sabirnica 110 kV u HE Senj prema sljedećem opisu: prvi generator i polje Vrataruša potrebno je spojiti na jedan sustav sabirnica 110 kV, a drugi generator, teret i polje Otočac potrebno je spojiti na drugi sustav sabirnica 110 kV. Spojno polje između dva sustava sabirnica 110 kV je potrebno isključiti. NZS Senj koja odgovara navedenom opisu je prikazana u tablici 6.3.

Tablica 6.3 Predloženi model razdvajanja sustava sabirnica NZS Senj

Model razdvajanja sustava sabirnica	NZS Senj
Stanica	HE SENJ
Sustav sabirnica I	prvi generator i polje Vrataruša
Sustav sabirnica II	drugi generator, teret i polje Otočac

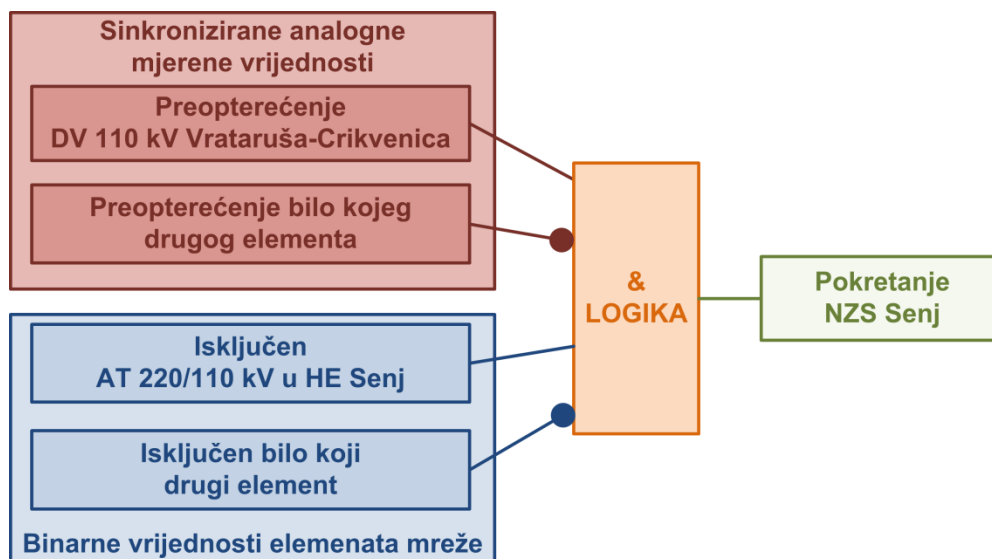


Slika 6.6 Proračun primjene modela razdvajanja sustava sabirnica NZS Senj

Proračun tokova snaga u slučaju primjene predloženog modela razdvajanja sustava sabirnica u HE Senj nakon ispada autotransformatora s kosom regulacijom prikazan je na slici 6.6. Tokovi snaga i naponske prilike se promjene nakon razdvajanja sustava sabirnica 110 kV u HE Senj pri čemu se opterećenje 110 kV voda Vrataruša –Crikvenica smanji sa 137,2 MW (111,8 %) na 113,4 MW (92,4 %) i na taj način ublaži njegovo preopterećenje.

6.5. Preliminarni prijedlog aktivnosti i uvjeti pokretanja NZS Senj

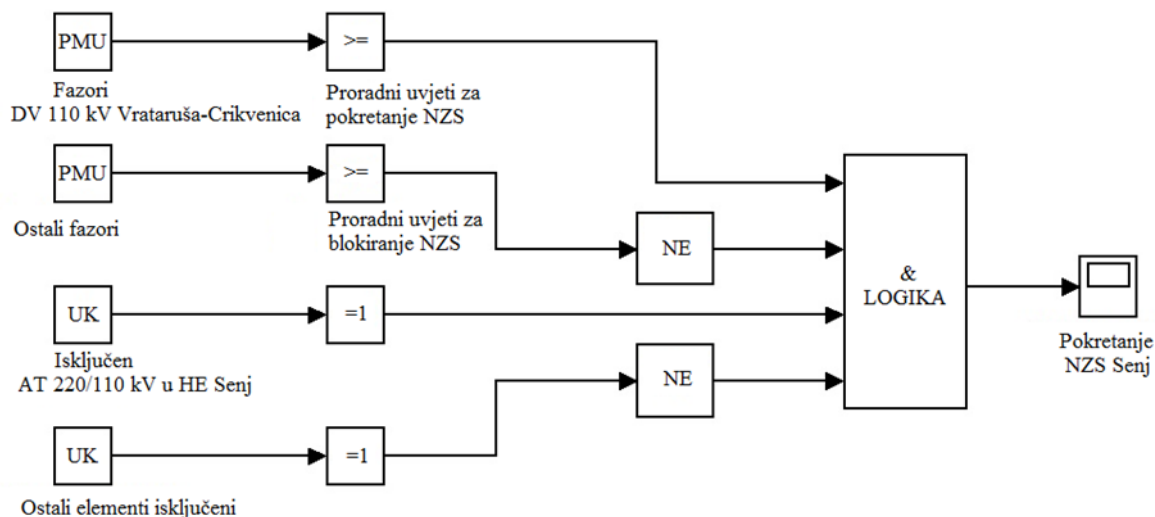
Pokretanje modela razdvajanja sustava sabirnica NZS Senj definirano je za dvije kombinacije uvjeta prema slici 6.7. Prva grupa uvjeta odnosi se na sinkronizirana mjerenja i preopterećeno stanje 110 kV voda Vrataruša – Crikvenica. Druga grupa uvjeta odnosi se na uključeno stanje 110 kV voda Senj – Otočac i 220 kV voda Senj –Melina, a isključenog stanja autotransformatora s kosom regulacijom u He Senj. Obje grupe uvjeta moraju biti zadovoljene kako bi se pokretanje modela ostvarilo.



Slika 6.7 Uvjeti pokretanja NZS Senj

6.6. Provjera pokretanja NZS Senj

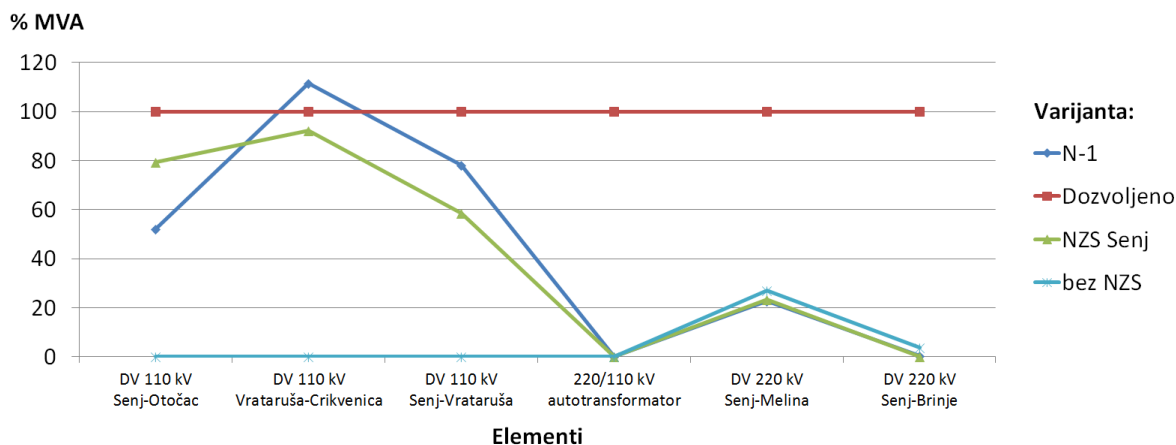
Nakon definiranja zahtjeva na izvođenje i dizajn NZS Senj pristupilo se izradi njene provjere pokretanja. Provjera pokretanja definirane NZS Senj izrađena je u programskom paketu Matlab. Simulacije su potvrdile ispravno pokretanje i potpunu funkcionalnost osmišljene NZS Senj na temelju zadanih uvjeta. U nastavku je prikazan simulacijski model za pokretanje NZS Senj (slika 6.8).



Slika 6.8 Provjera pokretanja NZS Senj u programskom paketu Matlab

6.7. Procjena sigurnosti dijela mreže u okolici VE Vrataruša korištenjem NZS Senj

Procjena sigurnosti dijela prijenosne mreže u okolici VE Vrataruša korištenjem NZS Senj sastoji se od usporedbe tokova snaga i naponskih prilika uključujući razinu proizvodnje, potrošnje, razmjene i gubitaka za svaki pojedini slučaj. Slika 6.9 prikazuje crvenom bojom dozvoljena opterećenja elemenata u promatranom dijelu mreže.

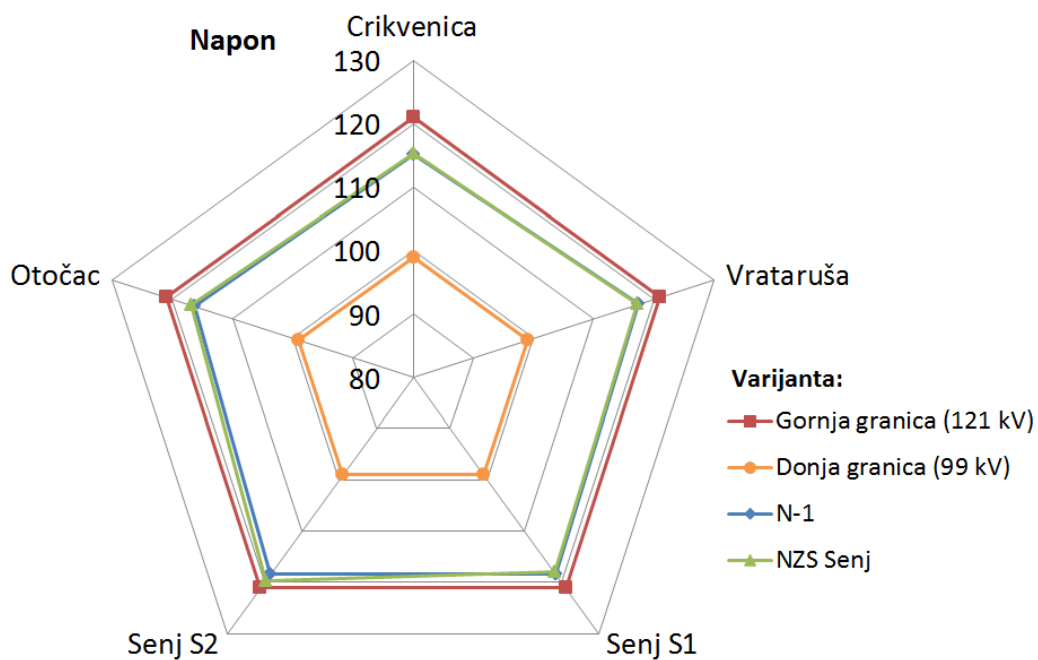


Slika 6.9 Usporedba postotnog iznosa prividne snage elemenata korištenjem NZS Senj

N-1 analiza kod isključenog 220/110 kV autotransformatora s kosom regulacijom u HE Senj jasno prikazuje preopterećeno stanje 110 kV voda Vrataruša - Crikvenica. Bez pokretanje NZS Senj dogodit će se isključenje preopterećenog voda djelovanjem lokalnog sustava relejne zaštite i kaskadnog raspada dijela promatranog sustava. Na istoj slici prikazana

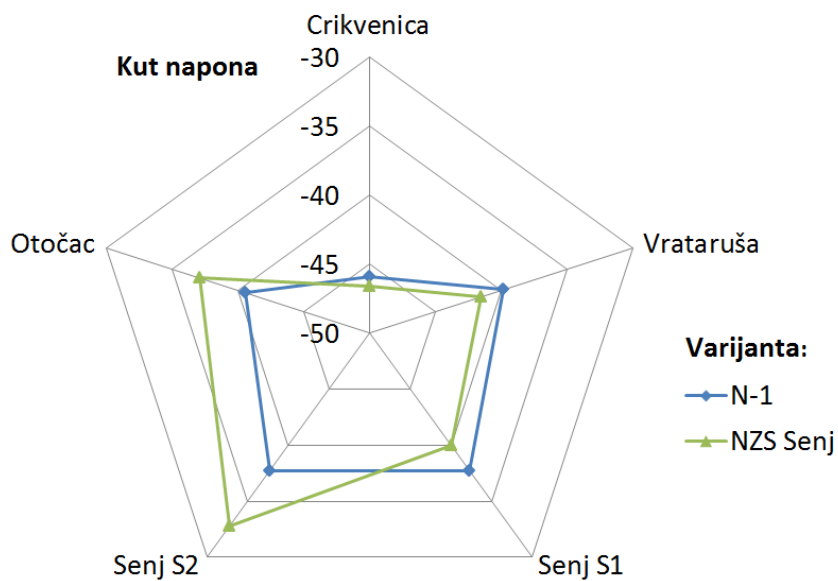
je i raspodjela tokova snaga u slučaju korištenja predloženog modela za promjenu topologije mreže NZS Senj. Iz navedenog prikaza je jasno vidljivo kako bi se korištenjem predložene NZS-e opterećenje 110 kV voda Vrataruša - Crikvenica smanjilo unutar dozvoljenih granica.

Slika 6.10 prikazuje usporedbu iznosa napona sabirnica u okolini HE Senj. Vidljivo je kako su upotrebom modela za promjenu topologije mreže NZS Senj iznosi napona sabirnica ostali unutar granica zadanih Mrežnim pravilima prijenosnog sustava [44]. U analiziranom dijelu mreže uobičajena je pojava vrlo visokih napona u prijenosnoj mreži te je potrebno voditi računa da se upotrebom naprednih modela ne ugrozi sigurnost sustava s obzirom na prekoračenje propisanih granica iznosa napona.



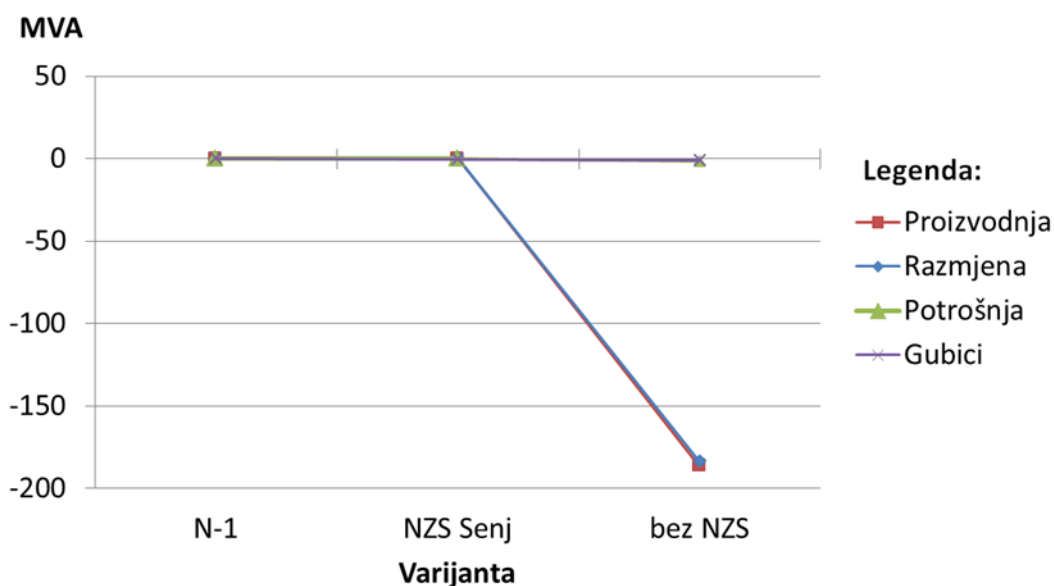
Slika 6.10 Usporedba iznosa napona sabirnica korištenjem NZS Senj

Slika 6.11 prikazuje usporedbu kutova napona na svim sabirnicama u analiziranom dijelu prijenosne mreže Hrvatske. Upotreba predloženog modela za izmjenu topologije mreže NZS Senj mijenja naponske prilike u odnosu na N-1 stanje. Kutovi napona između sabirnica generalno rastu, ali ne narušavaju sigurnost sustava.



Slika 6.11 Usporedba kutova napona sabirnica korištenjem NZS Senj

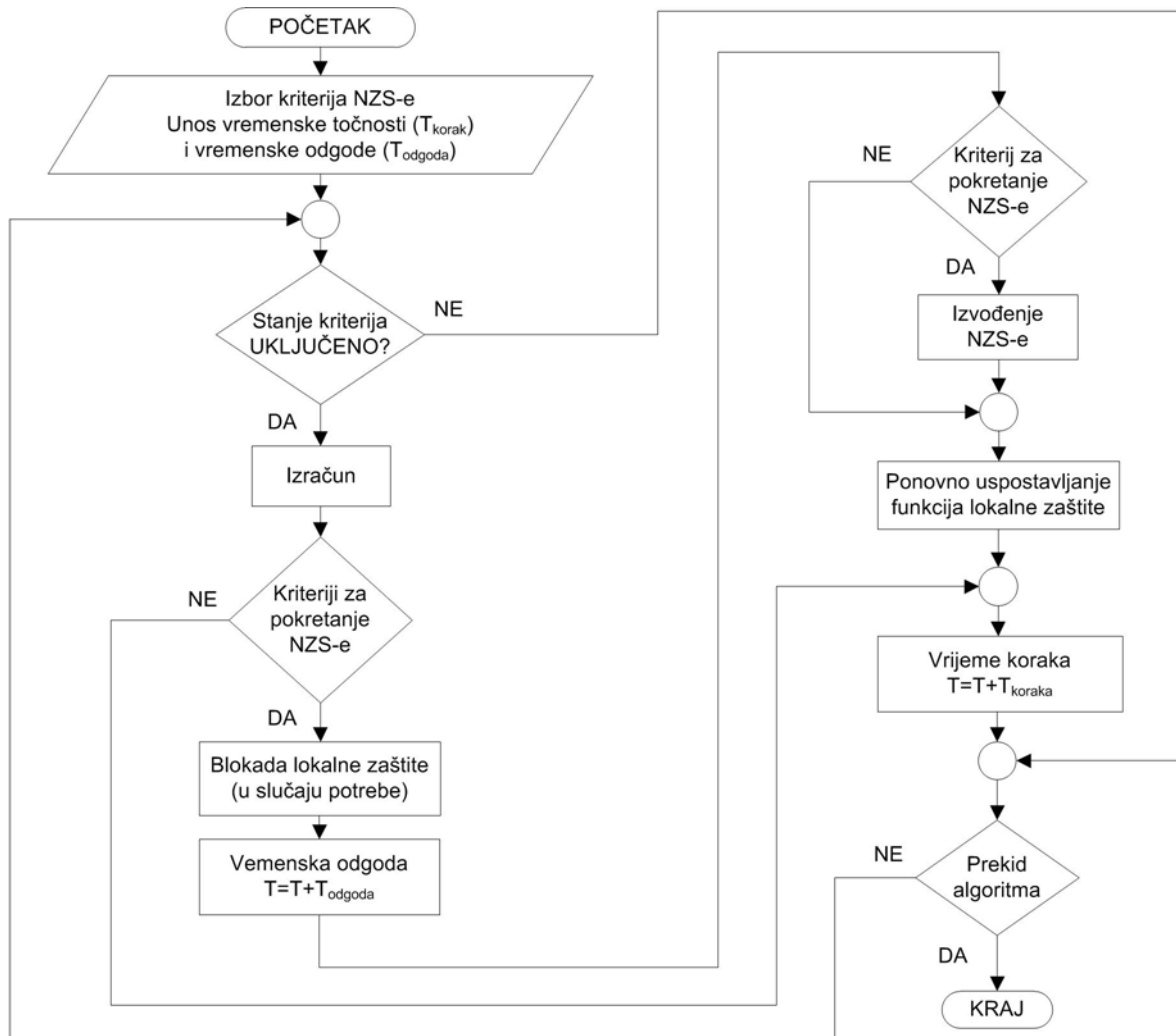
Slika 6.12 jasno prikazuje razlike u proizvodnji, razmjeni, potrošnji i gubicima korištenjem i bez korištenja NZS Senj. Bez korištenja NZS Senj, proizvodnja u promatranom dijelu EES-a Hrvatske će pasti za 186,2 MVA, a korištenjem NZS Senj proizvodnja će ostati na istoj razini.



Slika 6.12 Razlika proizvodnje, razmjene, potrošnje i gubitaka korištenjem NZS Senj

6.8. Algoritam za primjenu NZS-a prijenosne elektroenergetske mreže

Koncentrator fazorskih podataka ugrađen u upravljačkom centru u svojoj osnovnoj namjeni nije bio zamišljen kao sredstvo za izvršavanje algoritama zaštite cjelovitosti sustava ili slanja upravljačkih naloga prema postrojenju, ali razvojem primjene tehnologije sinkroniziranih mjerenja fazora razvija se i neosporiva potreba za razvojem algoritama za primjenu odnosno pokretanje NZS-a prijenosne elektroenergetske mreže.



Slika 6.13 Dijagram toka razvijenog algoritma

Nakon razvoja metode za izradu NZS-a prijenosne elektroenergetske mreže zasnovane na sinkroniziranim mjerenjima fazora te razvoja modela za promjenu topologije mreže s ciljem očuvanja sigurnosti, razvijen je programski algoritam za primjenu NZS-a prijenosne elektroenergetske mreže. Algoritam odlikuju visoka pouzdanost i preciznost pokretanja, a temelji se na dvostrukoj provjeri ispunjavanja kriterija pokretanja međusobno odvojenih izvršavanjem vremenske odgode.

Na slici 6.13 prikazan je dijagram toka razvijenog algoritma za primjenu NZS-a prijenosne elektroenergetske mreže, a u idućim natuknicama opisano je njegovo djelovanje.

- Početak algoritma

Početni korak algoritma odnosi se na izbor NZS-e koju želimo pokrenuti kako bi se omogućilo njezino potencijalno djelovanje i na taj način osigurala zaštita cjelovitosti nadziranog dijela sustava. Razvijeni programski algoritam nema ograničenja po pitanju tipa ili vrste NZS-e koja se želi pokretati. Razvijen je kao općeniti algoritam koji može podržati pokretanje različitih vrsta NZS-a zasnovanih na tehnologiji sinkroniziranih mjerenja fazora.

- Ulazni podaci algoritma

Kao ulazne podatke algoritma potrebno je definirati kriterije pokretanja NZS-e kao i vremensku točnost i vremensku odgodu izvođenja algoritma. Određivanje kriterija pokretanja NZS-e će uvelike ovisiti o izabranoj zaštitnoj shemi u početnom koraku. Unatoč navedenom, svim kriterijima je zajedničko da se mogu definirati kao postavljanje ograničenja na elementima mreže u skladu s njihovim dozvoljenim vrijednostima. U tablici 6.4 dan je primjer postavljanja kriterija pokretanja NZS-e u obliku dozvoljenog strujnog opterećenja ili dozvoljene prividne snage elementa mreže.

Tablica 6.4 Definiranje dozvoljenog opterećenja elementa mreže

Dozvoljena opterećenja elementa mreže	Struja	I_t [A]
	Prividna snaga	S_t [MVA]

Kod definiranja vremenske točnosti i vremenske odgode izvođenja algoritma za primjenu NZS-a prijenosne elektroenergetske mreže zasnovanih na sinkroniziranim mjerenjima fazora bitno je uzeti u obzir vrijeme uzorkovanja fazora i vrijeme kašnjenja koje može nastati u njihovom slanju prema upravljačkom centru, kao i dobro poznavati stvarna podešenja i vremena djelovanja lokalnih sustava relejne zaštite kako se ne bi ugrozilo sigurno pokretanje i djelovanje izabrane NZS-e za zaštitu cjelovitosti sustava.

Uobičajena vremena uzorkovanja fazora su višestruki umnošci prirodnog broja i osnovne veličine uzorkovanja koja iznosi vrijeme jedne periode vremenskog signala nazivne frekvencije sustava. U slučaju nazivne frekvencije sustava od 50 Hz, vrijeme uzorkovanja fazora može poprimiti najmanju vrijednost od 20 ms ili se može postaviti na višestruke

umnoške prirodnog broja i osnovne veličine od 20 ms te na taj način poprimiti vrijednosti od 40 ms, 60 ms, 80 ms itd. U tablici 6.5 prikazano je definiranje vremenske točnosti algoritma i vremenske odgode njegovog djelovanja.

Tablica 6.5 Parametri vremenske točnosti i odgode

Vremenska točnost algoritma	T_{KORAK} [ms]
Vremenska odgoda djelovanja algoritma	T_{ODGODA} [s]

- Provjera uključenosti elemenata mreže

Nakon definiranja ulaznih podataka programskog algoritma, potrebno je provesti provjeru uklopnog stanja mreže odnosno verifikaciju mjerenih vrijednosti. Ako se utvrdi neispravno odnosno nepoznato stanje uključenosti elemenata mreže algoritam svejedno pokušava verificirati prikupljene mjerene vrijednosti ukoliko operater ne izabere prekid algoritma. Bez verificiranih mjernih vrijednosti algoritam ne ulazi u daljnju proceduru izračuna električnih parametara ili provjere kriterija izabrane NZS-e. Algoritam na temelju prikupljenih mjerenja računa sve potrebne izvedene električne veličine ovisno o tipu i vrsti izabrane NZS-e u početnom koraku izvođenja algoritma.

- Provjera kriterija pokretanja NZS-e

U ovoj fazi algoritam provjerava ispunjenost kriterija pokretanja NZS-e definiranih u početnom dijelu. Da li su izračunate prividne snage elemenata mreže veće od maksimalno dozvoljenih? Da li su izmjerena strujna opterećenja elemenata mreže veća od maksimalno dozvoljenih? Algoritam omogućava provjeru samo onih kriterija koji su postavljeni u dijelu definiranja ulaznih podataka. Ako postavljeni kriteriji pokretanja NZS-e nisu zadovoljeni, vrijeme uzorkovanja podataka se pomiče na sljedeću grupu podataka u razmaku od definiranog vremena koraka te se algoritam vraća na početak petlje. Ako su postavljeni kriteriji pokretanja NZS-e zadovoljeni, algoritam ulazi u sljedeću fazu izvođenja.

- Blokiranje djelovanja pričuvnih stupnjeva lokalne relejne zaštite

Blokiranje lokalnih pričuvnih stupnjeva relejne zaštita na promatranom elementu ili dijelu mreže potrebno je kako bi se omogućilo algoritmu za primjenu NZS-a prijenosne elektroenergetske mreže vrijeme potrebno za pokretanje naprednih shema. Ukoliko lokalni

pričuvni stupnjevi relejnih zaštita ne bi bili blokirani i usko vremenski koordinirani s djelovanjem osmišljene NZS-e moglo bi doći do potpunog raspada promatranog dijela mreže.

- Izvršavanje vremenske odgode

Kako bi se postigla visoka pouzdanost i preciznost izvođenja odabrane NZS, algoritam se temelji na dvostrukoj provjeri ispunjavanja kriterija pokretanja međusobno odvojenih izvršavanjem vremenske odgode. U ovoj fazi algoritam izvršava podešenu vremensku odgodu definiranu u ulaznim podacima.

- Ponovna provjera uvjeta pokretanja

Algoritam sada ulazi u dio gdje ponovno provjerava ispunjenost kriterija pokretanja NZS-e definiranih u početnom dijelu koji su možda prestali vrijediti nakon izvršavanja vremenske odgode. Ako su kriteriji prestali vrijediti izdaje se nalog za deblokadom lokalnih pričuvnih stupnjeva relejne zaštite, vrijeme uzorkovanja podataka se pomiče na sljedeći podatak u razmaku od definiranog vremena koraka te se algoritam vraća na početak petlje. Ako su kriteriji pokretanja NZS-e zadovoljeni, algoritam ulazi u sljedeću fazu.

- Izvođenje izabrane NZS-e

Nakon dvostruke provjere kriterija pokretanja i svih provedenih izračuna algoritam ulazi u fazu izvođenja izabrane NZS-e na temelju definiranih aktivnosti opisanih u prijašnjim poglavljima disertacije, ovisno o odabranoj NZS. Nakon Izvođenja izabrane NZS-e algoritam nastavlja sa svojim radom u vidu provjere prestanka kriterija pokretanja. Izdaje se nalog za deblokadom lokalnih pričuvnih stupnjeva relejne zaštite, vrijeme uzorkovanja podataka se pomiče na sljedeći podatak u razmaku od definiranog vremena koraka te se algoritam vraća na početak petlje gdje ponovno provjerava uključenosti elemenata mreže odnosno verificira prikupljene mjerene vrijednosti.

6.9. Programski modul razvijenog algoritma

Kako bi se provjerilo djelovanje razvijenog programskog algoritma izrađen je programski kod u programskom paketu MATLAB na primjeru modela za promjenu topologije mreže dijela prijenosne elektroenergetske mreže Hrvatske u okolini VE Vrataruša. U prilogu 2 je prikazan programski kod razvijenog algoritma, a u prilogu 3 je prikazano njegovo funkcionalno ispitivanje s pripadnim komentarima odnosno objašnjenjima označenima crvenom bojom.

7. MODEL OPTIMALNE PROMJENE TOPOLOGIJE MREŽE ZASNOVAN NA LINEARNOM PRORAČUNU I SINKRONIZIRANIM MJERENJIMA FAZORA

7.1. Definiranje modela optimalne promjene topologije mreže

Prva grupa mjera djelovanja NZS-a usmjerena je prema naprednoj promjeni topologije mreže. Kao što je već navedeno kod opisa heurističkog modela, napredne sheme promjene topologije mreže održavaju postojeću razinu proizvodnje i potrošnje promatranog dijela sustava. U nastavku je opisan model optimalne promjene topologije mreže zasnovan na linearnom proračunu i sinkroniziranim mjerenjima fazora kao jedan od modela prve grupe mjera djelovanja NZS-a [45]. Iako se pod promjenom topologije mreže može smatrati isključenje vodova ili transformatora, takve akcije nisu bile predmet razmatranja zbog svojeg jednostavnog matematičkog opisa. Predloženi model optimalne promjene topologije mreže koristi isključivo mehanizme razdvajanja sustava sabirnica čija je potraga za rješenjem daleko matematički zahtjevnija od isključivanja pojedinačnih elemenata. Algoritam koristi mješovito cjelobrojno linearno programiranje (MILP) zasnovano na metodi grananja i ograđivanja pri potrazi optimalnog rješenja.

Mješovito cjelobrojno linearno programiranje istražuje optimizacijske probleme unutar zadanih ograničenja promatranog sustava. Optimizacija se može temeljiti na problemu pronalaska maksimuma ili minimuma postavljene funkcije cilja na način da se proces odlučivanja donosi na temelju zadanih ograničenja u obliku jednadžbi ili nejednadžbi. Kod mješovitog programiranja, odluke mogu poprimiti vrijednosti iz skupa realnih ili cijelih brojeva. Metoda grananja i ograđivanja se bazira na principu uspješnog rješavanja funkcije cilja sve dok vrijednosti donesenih odluka ne dostignu optimalno rješenje.

Matematički model korišten u optimizacijskom algoritmu zasnovan je na proračunu tokova snaga pojednostavljenog linearnog modela mreže, tzv. istosmjernog modela mreže. Istosmjerni model pretpostavlja tri pretpostavke:

- otpor voda R_L je zanemariv u odnosu na reaktanciju X_L ,

$$R_L \ll X_L \quad (7.1)$$

- apsolutna vrijednost jediničnog napona $|V|$ jednaka je za sva čvorišta,

$$|V| = 1 \text{ p.u.} \quad (7.2)$$

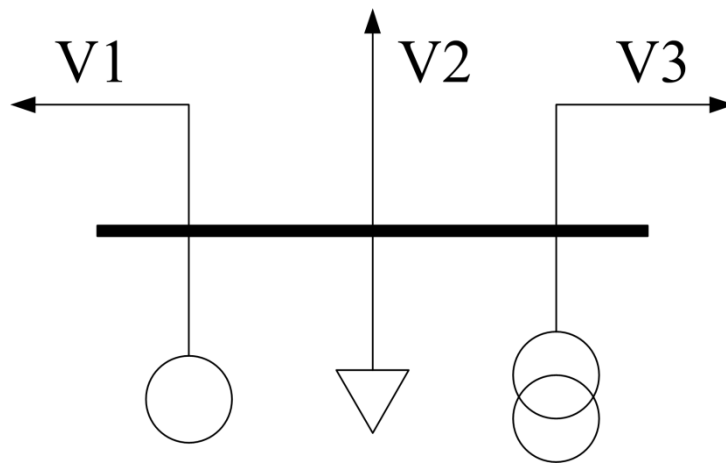
- razlika faznih kutova napona $\delta_i - \delta_j$ susjednih čvorišta je malena, iz čega proizlazi

$$\sin(\delta_i - \delta_j) \approx (\delta_i - \delta_j); \quad \cos(\delta_i - \delta_j) \approx 1 \quad (7.3)$$

Uvođenje navedenih pretpostavki utječe na točnost rezultata proračuna istosmjernog modela mreže. Prema [46] ukupna pogreška proračuna izvedenih korištenjem istosmjernog modela mreže iznosi 5 % u odnosu na proračune izvedene u točnijem nelinearnom modelu, tzv. izmjeničnom modelu mreže. Iako je točnost proračuna izvedenih u istosmjernom modelu manja od točnosti proračuna izvedenih u izmjeničnom modelu, odlikuju ga jednostavnost i brzina izvedbe, zbog čega se i koristi u razvoju i primjeni NZS-a zasnovanih na sinkroniziranim mjerenjima.

7.2. Matematički opis problema optimalne promjene topologije mreže

Promotrimo primjer stanice sa šest početno definiranih elemenata na slici 7.1. Stanica se sastoji od jednog generatora, jednog tereta, jednog transformatora i tri voda. Svi navedeni elementi spojeni su na jednu sabirnicu.



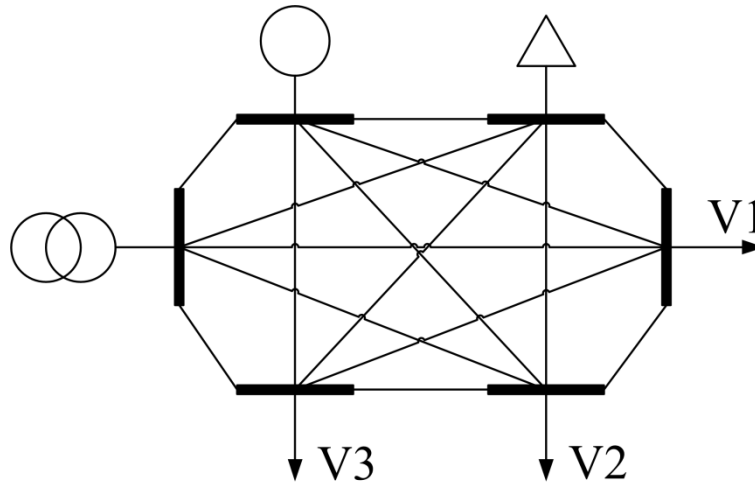
Slika 7.1 Primjer stanice sa šest početno definiranih elemenata

Kako bi se matematički opisao problem optimalne promjene topologije mreže razdvajanjem sustava sabirnica potrebno je za svaku stanicu stvoriti njezin nadomjesni model. Nadomjesni model stanice sastoji se od stvaranja N novih sabirnica, gdje je N ukupni broj početno definiranih elemenata povezanih na promatranu stanicu. U ukupni broj početno definiranih elemenata povezanih na promatranu stanicu ulazi broj svih povezanih generatora, tereta, transformatora i vodova. Nakon stvaranja N novih sabirnica, potrebno je stvoriti E novih elemenata, s izrazito niskom impedancijom, koji međusobno povezuju nove sabirnice u svim mogućim kombinacijama. Svakom novom elementu koji povezuje dvije nove sabirnice

dodjeljuje se varijabla odlučivanja o uključenosti navedenog elementa. Ukupni broj novih elemenata po stanici, s izrazito niskom impedancijom, definiran je sljedećim izrazom:

$$E = \frac{N(N-1)}{2} \quad (7.4)$$

Za primjer stanice sa šest početno definiranih elemenata prema slici 7.1, ukupan broj novih elemenata, s izrazito niskom impedancijom, je 15, kao što je grafički prikazano na slici 7.2.



Slika 7.2 Nadomjesni model stanice sa šest početno definiranih elemenata

Proračun tokova snaga istosmjernog modela mreže za tako definirani nadomjesni sustav može se opisati sljedećim izrazom:

$$P_e = \left(\frac{\delta_i - \delta_j}{X_e} \right) \cdot VARE_e; \quad e \in E; \quad i, j \in N; \quad \delta_{REF} = 0 \quad (7.5)$$

gdje je:

- e – oznaka elementa,
- i, j – oznake čvorišta,
- P_e – tok djelatne snage elementa e ,
- δ_i, δ_j – fazni kut napona za čvorište i i j ,
- X_e – reaktancija elementa e između čvorišta i i j ,
- $VARE_e$ – varijabla odlučivanja o uključenosti elemenata e između čvorišta i i j , definirana kao 0 za isključeno i 1 za uključeno stanje,
- E – ukupan broj elemenata,

- N – broj čvorišta,
- δ_{REF} – referentni fazni kut napona.

Izraz (7.5) je potrebno linearizirati prema izrazima u nastavku kako bi se mogao riješiti metodama mješovitog cjelobrojnog linearnog programiranja:

$$P_e \geq \left(\frac{\delta_i - \delta_j}{X_e} \right) - (1 - VARE_e) \cdot M_e; \quad e \in E; i, j \in N; \delta_{REF} = 0 \quad (7.6)$$

$$P_e \leq \left(\frac{\delta_i - \delta_j}{X_e} \right) + (1 - VARE_e) \cdot M_e; \quad e \in E; i, j \in N; \delta_{REF} = 0 \quad (7.7)$$

gdje je:

- M_e – faktor linearizacije elementa e , definiran izrazom (7.8) u nastavku.

Linearizacija se ostvaruje uvođenjem veličine M koja je definira sljedećim izrazom:

$$M_e = \left(\frac{\delta_{MAX} - \delta_{MIN}}{X_e} \right); \quad e \in E \quad (7.8)$$

- δ_{MAX} – najveći fazni kut napona svih čvorišta,
- δ_{MIN} – najmanji fazni kut napona svih čvorišta.

Ako je varijabla odlučivanja o uključenosti elementa $VARE_e = 1$, izrazi (7.6) i (7.7) poprimaju oblik

$$P_e = \left(\frac{\delta_i - \delta_j}{X_e} \right); \quad e \in E; i, j \in N; \delta_{REF} = 0 \quad (7.9)$$

što odgovara definiciji proračuna tokova snaga istosmjernog modela mreže kada je element e uključen. Ako je varijabla odlučivanja o uključenosti elementa $VARE_e = 0$ tada je djelatna snaga promatranog elementa jednaka nuli, a razlika kutova napona u čvorištima i i j ograničena izračunatom vrijednosti veličine M_e .

Suma snaga čvorišta definirana je prema sljedećem izrazu:

$$G_i - L_i = \sum_{e \in E} P_e; \quad i \in N \quad (7.10)$$

gdje je:

- G_i – djelatna snaga proizvedena u čvorištu i ,
- L_i – djelatna snaga tereta priključenog u čvorištu i .

Ograničenje toka djelatne snage elementa e s obzirom na njegovo najveće dozvoljeno prividno opterećenje definirano je sljedećim izrazom:

$$|P_e| \leq k_{Pe} \cdot S_{MAXe} \cdot VARE_e; e \in E \quad (7.11)$$

gdje je:

- k_{Pe} – faktor prilagodbe koji se računa u stvarnom vremenu za vrijeme trajanja preopterećenja prema izrazu (7.12),
- S_{MAXe} – najveće dozvoljeno prividno opterećenje elementa e .

Faktor prilagodbe k_{Pe} osmišljen je kako bi se nadomjestila netočnost istosmjernog modela mreže u odnosu na stvarno stanje, a računa se u stvarnom vremenu korištenjem sinkroniziranih mjerenja fazora prema sljedećem izrazu:

$$k_{Pe} = 1 - k_s \frac{|P_{REALe} - P_{DCE}|}{S_{MAXe}}; e \in E \quad (7.12)$$

gdje je:

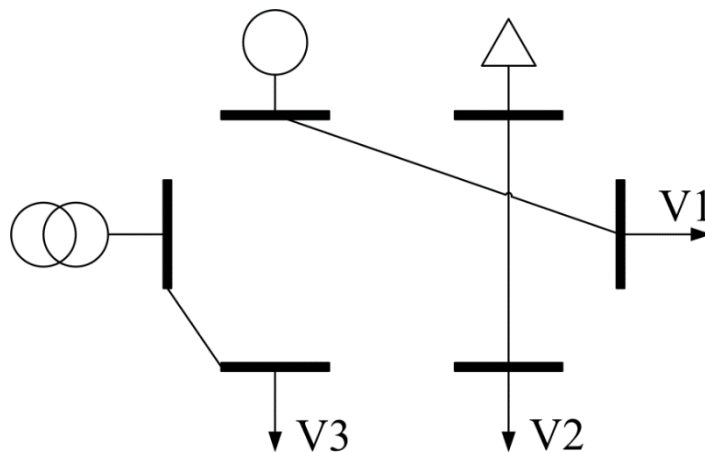
- k_s – faktor sigurnosti koji je za potrebe proračuna izabrane vrijednosti 1,2
- P_{REALe} – stvarno izmjerena djelatna snaga elementa e za vrijeme trajanja preopterećenja korištenjem sinkroniziranih mjerenja fazora,
- P_{DCE} – proračunati tok djelatne snage elementa e na temelju istosmjernog modela mreže u slučaju preopterećenja.

Kako bi se osiguralo optimalno rješenje razdvajanja sustava sabirnica za ublažavanje preopterećenja potrebno je postaviti ograničenje koje ne dopušta isključenje početno modeliranih vodova ili transformatora. Uz navedeno ograničenje, potrebno je postaviti i ograničenje koje osigurava povezanost barem dva elementa na svim sabirnicama modela.

Funkcija cilja opisanog optimizacijskog algoritma je minimizirati ukupnu sumu proizvodnje čvorišta prema sljedećem izrazu:

$$Min(\sum_{i \in N} G_i) \quad (7.13)$$

Opisani optimizacijski algoritam pronalazi optimalnu kombinaciju razdvajanja sustava sabirnica uzimajući u obzir zadana ograničenja najvećeg dozvoljenog opterećenja elemenata mreže. Ispunjavanje zadanih ograničenja za posljedicu ima ublažavanje početno zatečenog preopterećenja. Slika 7.3 simbolično prikazuje primjer razdvajanja stanice sa šest početno definiranih elemenata na tri sustava sabirnica, od kojih svaki povezuje dva elementa.



Slika 7.3 Simbolični primjer razdvajanja stanice sa šest početno definiranih elemenata na tri sustava sabirnica

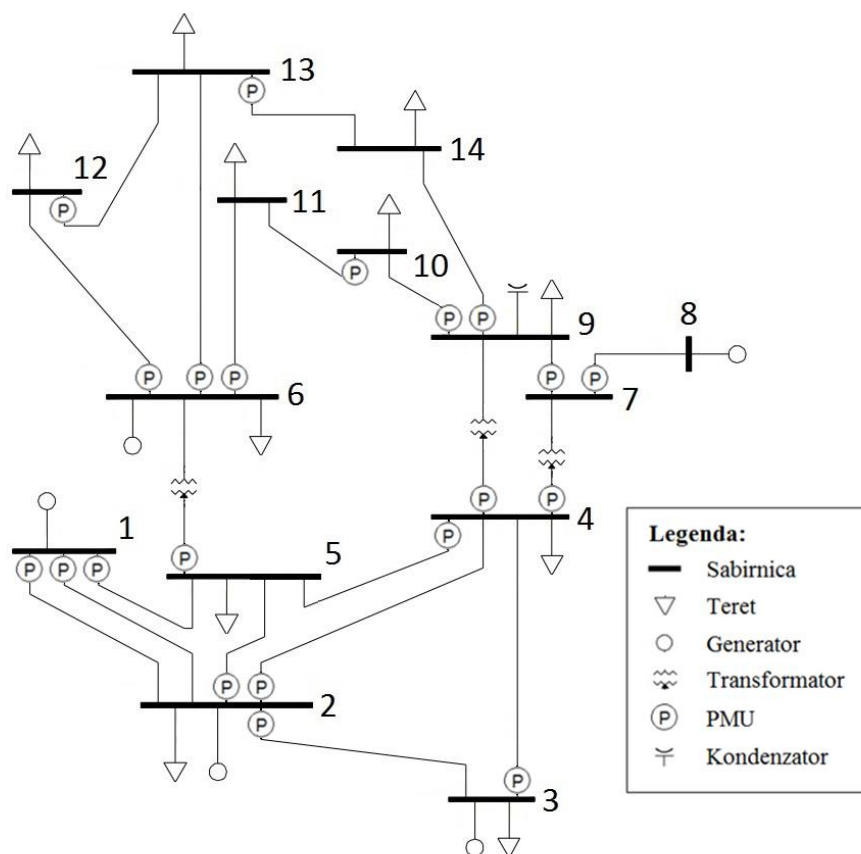
7.3. Provjera modela optimalne promjene topologije mreže na IEEE ispitnom sustavu

Provjera modela optimalne promjene topologije mreže zasnovanog na linearnom proračunu i sinkroniziranim mjerenjima fazora izvedena je na istom ispitnom sustavu na kojem je provjeren rad heurističkog modela za promjenu topologije mreže. Na taj način mogu se usporediti razlike u djelovanjima modela. Korišteni su isti podaci o IEEE ispitnom sustavu s 14 sabirnica i ista pretpostavljena dozvoljena opterećenja elemenata kao u prethodnoj analizi. Na slici 7.4 prikazan je IEEE ispitni model s 14 sabirnica te prijedlog smještaja sinkroniziranih mjernih uređaja za potrebe modela optimalne promjene topologije mreže.

Kao podsjetnik u nastavku je navedena tablica s pretpostavljenim dozvoljenim ograničenjima elemenata ispitnog sustava (tablica 7.1).

Tablica 7.1 Pretpostavljena dozvoljena ograničenja elemenata ispitnog sustava

Elementi	Dozvoljeno opterećenje (MVA)
Vodovi 1-2 (1), 1-2 (2), 1-5, 2-3, 2-4, 2-5, 3-4, 4-5	130
Transformatori 4-7, 4-9, 5-6	85
Vodovi 6-11, 6-12, 6-13, 7-8, 7-9, 9-10, 9-14, 10-11, 12-13, 13-14	70



Slika 7.4 IEEE ispitni sustav s 14 sabirnica s prijedlogom smještaja sinkroniziranih mjernih uređaja za potrebe modela optimalne promjene topologije mreže

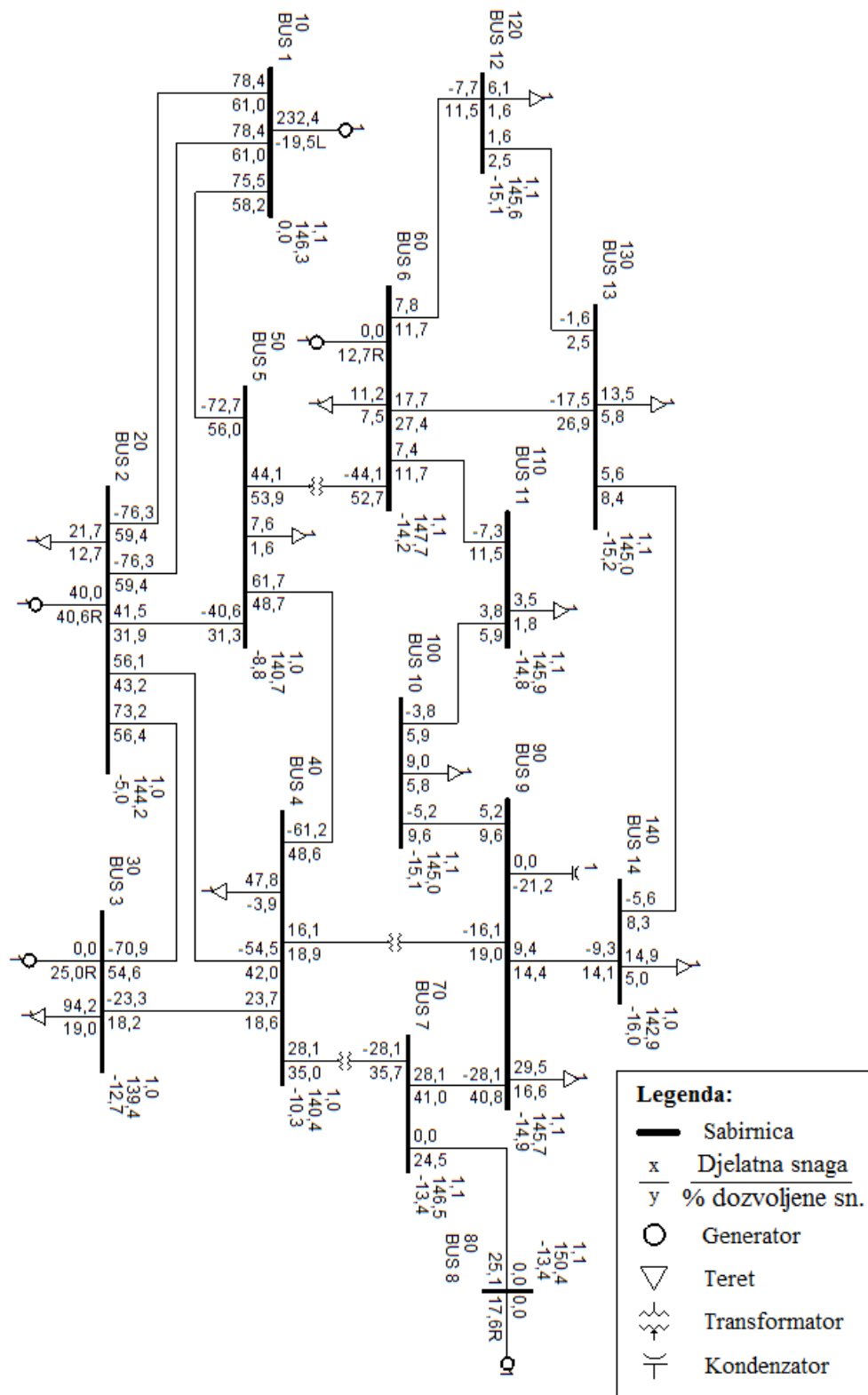
7.3.1. Opis osnovnog scenarija

Proračun tokova snaga izveden je na osnovnom scenariju bez utjecaja na početne postavke izmjeničnog modela mreže. Proračun tokova snaga osnovnog scenarija je već opisan kod provjere heurističkog modela za promjenu topologije mreže. Za razliku od navedenog proračuna na kojem se prikazuju vrijednosti prividne snage i postotnog opterećenja vodova, na slici 7.5 se prikazuju vrijednosti djelatne snage i postotnog opterećenja.

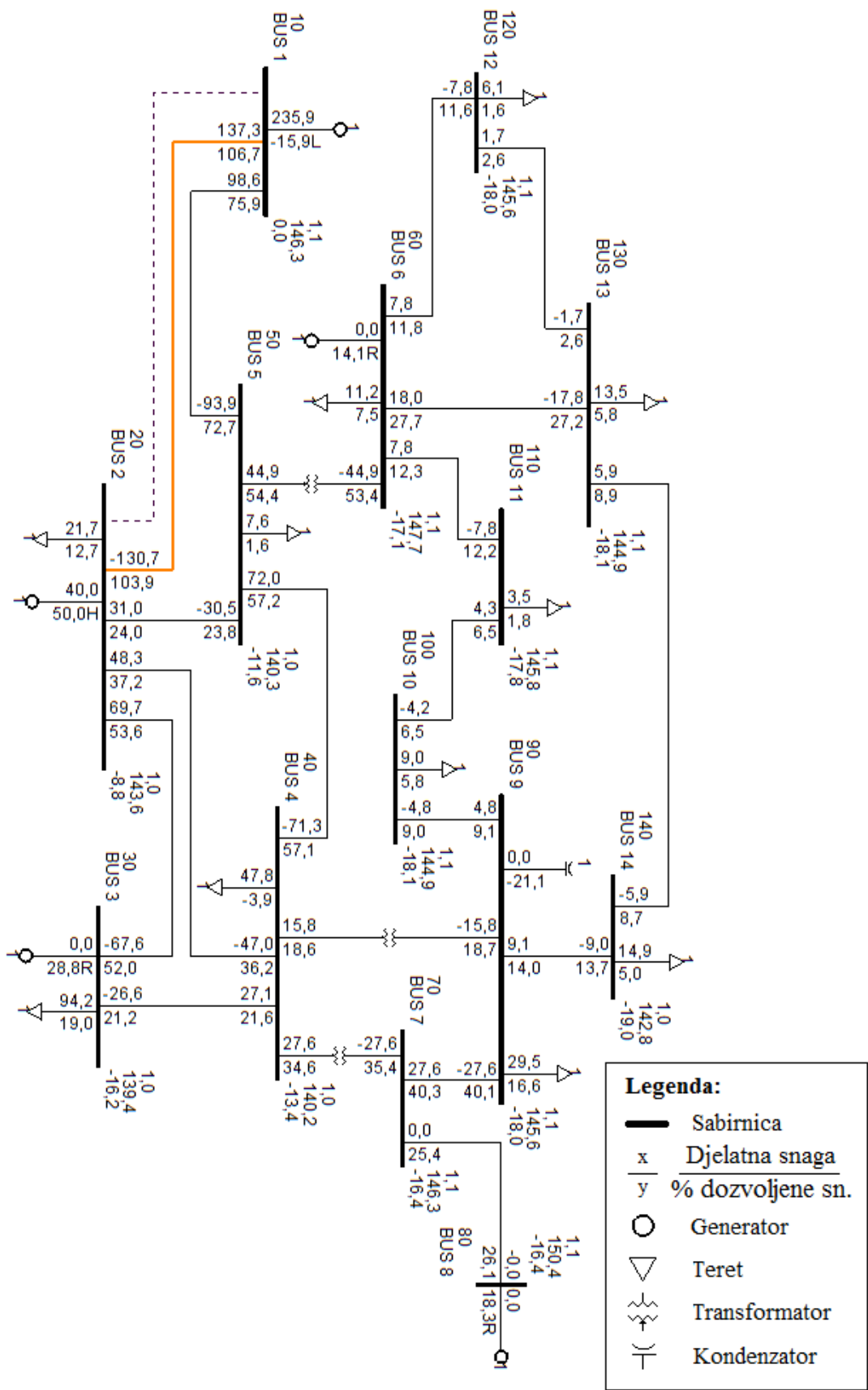
7.3.2. N-1 analiza osnovnog scenarija

N-1 analiza osnovnog scenarija je već opisana kod provjere heurističkog modela za promjenu topologije mreže. Ponovimo kako je N-1 analizom isključenog stanja jednog od vodova između sabirnica 1 i 2 utvrđen nastanak preopterećenja drugog voda koji povezuje iste sabirnice. Na slici 7.6 prikazan je proračun tokova snaga N-1 analize isključenog voda 1-2(1) zato što prikazuje iznose djelatne snage i postotnih opterećenja vodova u odnosu proračuna

prikazanog u poglavlju provjere heurističkog modela za promjenu topologije mreže koji prikazuje prividnu snagu i postotno opterećenje.



Slika 7.5 Proračun tokova snaga osnovnog scenarija s prikazom djelatne snage i postotnih opterećenja vodova



Slika 7.6 N-1 analiza voda 1-2(1) s prikazom djelatne snage i postotnih opterećenja vodova

7.3.3. Proračun istosmjernog modela mreže za slučaj preopterećenja i izračun faktora prilagodbe k_{Pe}

Kako bi se napravila prilagodba optimizacijskog algoritma na izmjenični model mreže potrebno je izračunati faktor prilagodbe k_{Pe} prema izrazu (7.12). Za ulazne podatke algoritma predlaže se korištenje stvarno izmjerenih djelatnih snaga elemenata za vrijeme trajanja preopterećenja korištenjem sinkroniziranih mjerenja fazora. Pošto se proračuni izvode na ispitnom sustavu podaci sinkroniziranih mjerenja fazora nadomještaju se podacima iz proračuna izmjeničnog modela mreže, a podaci proračuna istosmjernog modela mreže se računaju u sklopu izvođenja optimizacijskog algoritma. Rezultati proračuna istosmjernog modela mreže za N-1 slučaj preopterećenja i izračun faktora prilagodbe k_{Pe} prikazani su u tablici 7.2.

Tablica 7.2 Izračun faktora prilagodbe k_{Pe} za slučaj preopterećenja

Element	Početna sabirnica	Završna sabirnica	P_{REAL} (MW)	P_{DC} (MW)	k_{Pe}
1	1	2	0	0	1,00
2	1	2	137,3	127,3	0,91
3	1	5	98,6	91,7	0,94
4	2	3	69,7	66,6	0,97
5	2	4	48,3	48	1,00
6	2	5	31,0	31,1	1,00
7	3	4	-26,6	-27,6	0,99
8	4	5	-71,3	-72,5	0,99
9	4	7	27,6	28,6	0,99
10	4	9	15,8	16,4	0,99
11	5	6	44,9	42,7	0,97
12	6	11	7,8	6,7	0,98
13	6	12	7,8	7,6	1,00
14	6	13	18,0	17,2	0,99

15	7	8	0	0	1,00
16	7	9	27,6	28,6	0,98
17	9	10	4,8	5,9	0,98
18	9	14	9,1	9,7	0,99
19	10	11	-4,2	-3,2	0,98
20	12	13	1,7	1,5	1,00
21	13	14	5,9	5,2	0,99

7.3.4. Izbor modela optimalne promjene topologije mreže NZS IEEE 14 B

Uzimajući u obzir ulazne podatke o iznosu proizvodnje i tereta u svakoj sabirnici, reaktancijama vodova i transformatora zajedno s uklopnim stanjem mreže, optimizacijski algoritam kao rješenje daje odluku koje sabirnice je potrebno razdvojiti i kojim rasporedom kako bi se optimalno ublažilo preopterećenje voda 1-2(2).

Prema opisanom matematičkom problemu optimizacijski algoritam s funkcijom cilja minimizacije sume proizvodnje donosi odluku kako je potrebno razdvojiti sabirnice 2 na dva odvojena sustava i na taj način ukloniti preopterećenje voda 1-2 (2). Točno rješenje optimizacijskog algoritma za promjenu topologije mreže s popisom rasporeda polja po sabirnicama prikazan je u tablici 7.3.

Tablica 7.3 Predloženi model optimalne promjene topologije mreže NZS IEEE 14 B

NZS	IEEE 14 B
Stanica	2
Sabirnice21	Vod 1-2 (2), 2-3 i 2-4 te generator
Sabirnice22	Vod 2-5 i teret

Vrijeme izvođenja optimizacijskog algoritma za IEEE ispitni sustav s 14 sabirnica iznosi 0,4 s, a optimalno rješenje je postignuto u 208 iteracija. Relativno brzi pronalazak optimalnog rješenja razdvajanja sustava sabirnica pruža mogućnost primjene razvijenog algoritma u sklopu NZS-a podržanih sinkroniziranim mjerenjima fazora. Opisano rješenje optimizacijskog algoritma definirano je u nastavku disertacije kao NZS IEEE 14 B (slika 7.7), a programski kod prikazan je u prilogu 4.

XPRESS-IVE 64 bit - IEEE 14 DC model transmission switching - primjena druge sintakse.mos

File Project Edit View Build Debug Deploy Modules Wizards Optimizer Help

File Position: Search: []

Model Explorer

- Entities A --> Z
 - (C:\Zbunjak\Doktori\25 Disertacija\ZZI
 - Parameters
 - Constants
 - Primitives
 - Subroutines
 - User-defined Types
 - Problems
 - Math Problem
 - Decision Variables
 - IJ arrays
 - IKUTYAR
 - NPROIZVODNJA
 - NSNAGE_ELEMNATA
 - NUKVAR

Solution 1 / 1

```

end-do
POCETAK:=POCETAK+1
end-do
end-do
! OGRANIČENJA I FORMULE
NKUTVAR (1)=0
forall (n in ii) do
  KOTVARMIN<=NKUTVAR (n)
  NKUTVAR (n) <=KOTVARMAX
  NPROIZVODNJA (n) <=NPROIZVODNJA (n)
  NPROIZVODNJA (n) <=NPROIZVODNJA (n)
  NPROIZVODNJA (n) -NTERET (n)=sum (q in jj | NNN (q)=n) NSNAGE_ELEMNATA (q) -sum (q in jj | MMM (q)=n) NSNAGE_E
end-do
forall (m in in jj) do
  NUKVAR (m) is binary
  NFAKTOR_SIGURNOSTI (m) * NSMIN (m) <=NSNAGE_ELEMNATA (m)
  NSNAGE_ELEMNATA (m) <=NFAKTOR_SIGURNOSTI (m) * NSMAX (m)
  NUKVAR (m) * NFAKTOR_SIGURNOSTI (m) * NSMIN (m) <=NSNAGE_ELEMNATA (m)
  NSNAGE_ELEMNATA (m) <=NUKVAR (m) * NFAKTOR_SIGURNOSTI (m) * NSMAX (m)
  M (m) :=NB_IMPEDANCIJA (m) * (KOTVARMAX-KOTVARMIN)
  (-1) * NB_IMPEDANCIJA (m) * (NKUTVAR (NNN (m)) - NKUTVAR (MMM (m))) + (1 - NKUTVAR (m)) * M (m) >=NSNAGE_ELEMNATA (m)
  (-1) * NB_IMPEDANCIJA (m) * (NKUTVAR (NNN (m)) - NKUTVAR (MMM (m))) - (1 - NKUTVAR (m)) * M (m) <=NSNAGE_ELEMNATA (m)
end-do
! DEFINIRANJE GRANICE MOGUĆIH ISKLJUČENJA
sum (m in in jj) (1 - NKUTVAR (m)) <=MAXISK
! DEFINIRANJE OGRANIČENJA

```

Model Explorer

Information

NUKVAR (C:\Zbunjak\Doktori\25 Disertacija\ZZI) Dodano! 5 X-PRESS model! IEEE 14 DC model transmission switching - primjena druge sintakse.mos (Line: 44)

NUKVAR (C:\Zbunjak\Doktori\25 Disertacija\ZZI) Dodano! 5 X-PRESS model! IEEE 14 DC model transmission switching - primjena druge sintakse.mos (Line: 214)

NUKVAR (C:\Zbunjak\Doktori\25 Disertacija\ZZI) Dodano! 5 X-PRESS model! IEEE 14 DC model transmission switching - primjena druge sintakse.mos (Line: 217)

NUKVAR (C:\Zbunjak\Doktori\25 Disertacija\ZZI) Dodano! 5 X-PRESS model! IEEE 14 DC model transmission switching - primjena druge sintakse.mos (Line: 218)

NUKVAR (C:\Zbunjak\Doktori\25 Disertacija\ZZI) Dodano! 5 X-PRESS model! IEEE 14 DC model transmission switching - primjena druge sintakse.mos (Line: 221)

NUKVAR (C:\Zbunjak\Doktori\25 Disertacija\ZZI) Dodano! 5 X-PRESS model! IEEE 14 DC model transmission switching - primjena druge sintakse.mos (Line: 222)

NUKVAR (C:\Zbunjak\Doktori\25 Disertacija\ZZI) Dodano! 5 X-PRESS model! IEEE 14 DC model transmission switching - primjena druge sintakse.mos (Line: 223)

NUKVAR (C:\Zbunjak\Doktori\25 Disertacija\ZZI) Dodano! 5 X-PRESS model! IEEE 14 DC model transmission switching - primjena druge sintakse.mos (Line: 224)

sum (m in in jj) (1 - NKUTVAR (m)) <=MAXISK

Model Explorer

Build "NUKVAR" locations Debug Watch

Ready

Stats

Matrix: Presolved: Rows (constraints): 408 Columns (variables): 218 Nonzero elements: 2039 Global entries: 1489 Sets: 117 Global entries: 79 Sets: 0 Set members: 0

Global search: LP relaxation: Simplex primal Current node: 91 Algorithm: Iterations: 259 Objective: 0 Active nodes: 0 Best bound: 259 Status: Unfinished Time: 0.0s Gap: 0% Solution is optimal. Time: 0.4s

Overall status: Finished global search.

Time overheads: Progress graphs: 0.1s Writing output: 0.0s Reading input: 0.1s Loading status: 0.1s

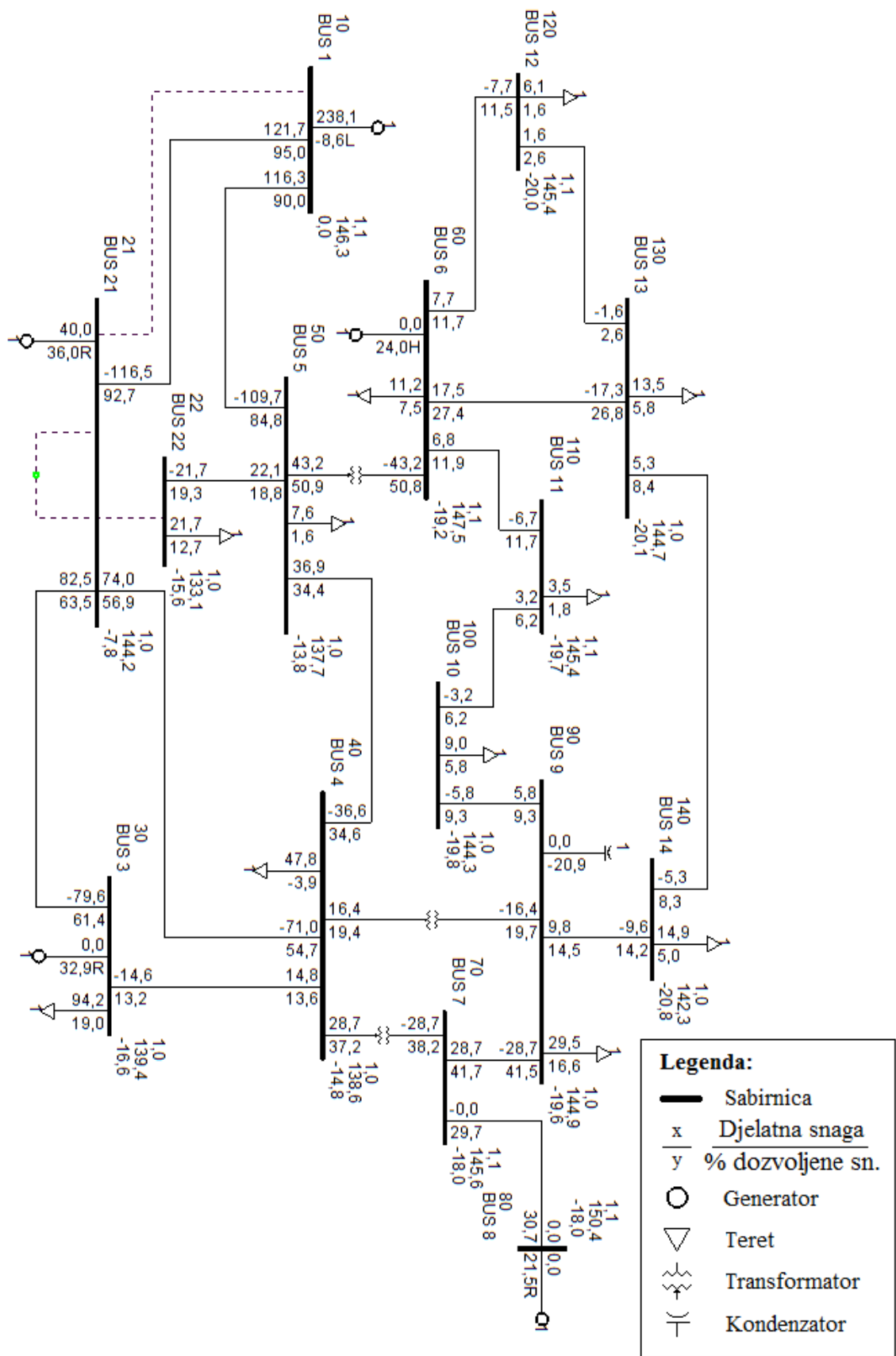
Output/input Stats Matrix Solutions Objective MIP search

BB tree User graph IIS

Idle Free Memory: 5283 MB Line: 41,374 Col: 0 OVR

17:39 28.6.2019.

Slika 7.7 Rješenje optimizacijskog algoritma NZS IEEE 14 B



Slika 7.8 Provjera djelovanja NZS IEEE 14 B na izmjeničnom modelu mreže

Rješenje optimizacijskog algoritma NZS IEEE 14 B provjereno je proračunom tokova snaga u izmjeničnom modelu mreže (slika 7.8). Simulirano je razdvajanje sabirnica 2 na dva odvojena sustava prema definiranom modelu u tablici 7.3. Proračunom tokova snaga izmjeničnog modela mreže za tako razdvojene sabirnice dobiveni su iznosi 121,7 MW djelatne snage i 95 % dozvoljene prividne snage na vodu 1-2(2) što potvrđuje uklanjanje preopterećenja i ispravnost djelovanja opisanog algoritma.

7.3.5. Procjena sigurnosti IEEE ispitnog sustava korištenjem NZS IEEE 14 B

Procjena sigurnosti IEEE ispitnog sustava s 14 sabirnica korištenjem predloženog modela sastoji se od usporedbe tokova snaga i naponskih prilika uključujući razinu proizvodnje, potrošnje i gubitaka za svaki pojedini slučaj.

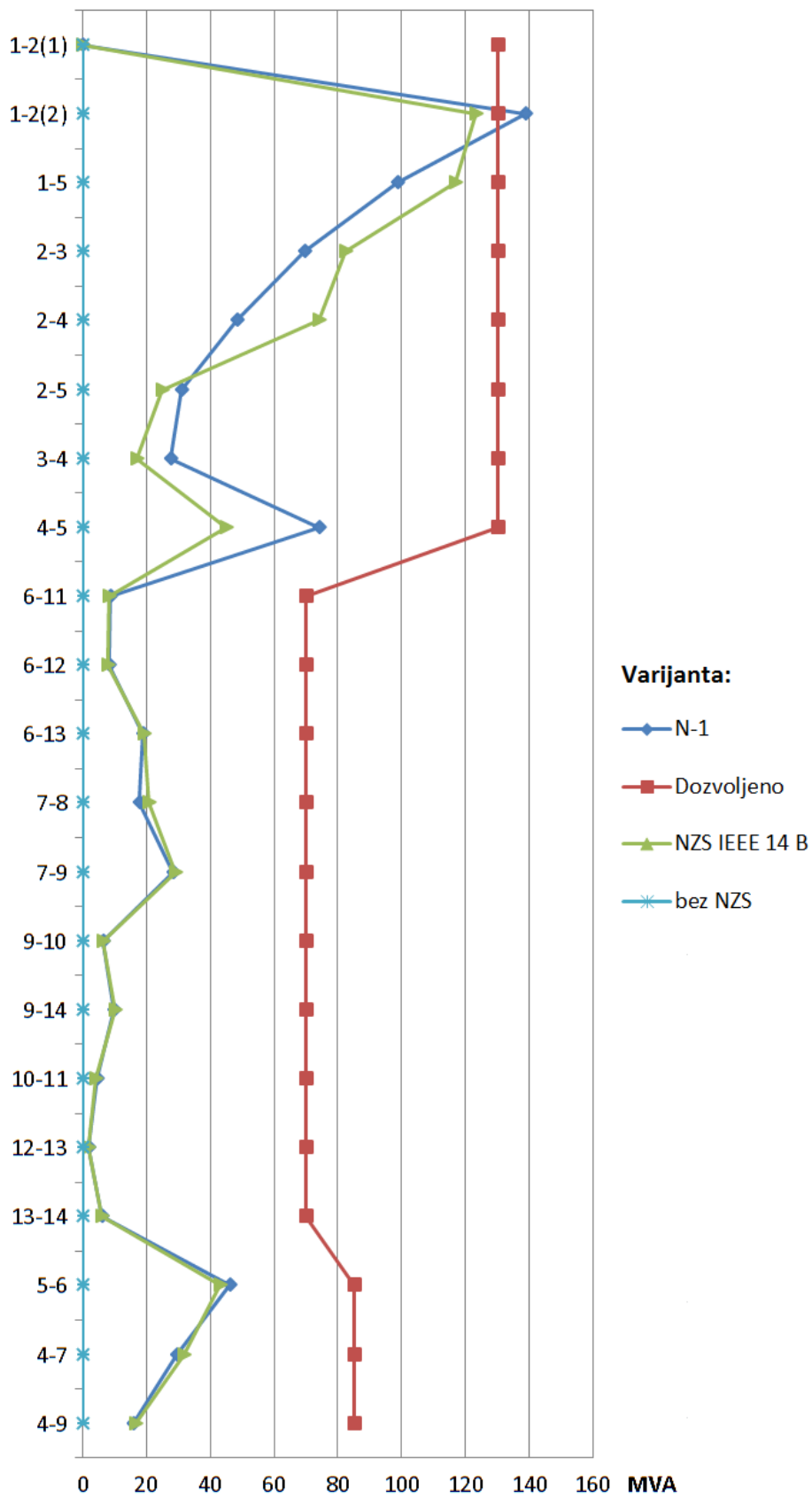
Slika 7.9 crvenom bojom prikazuje dozvoljena opterećenja elemenata u promatranom dijelu mreže. N-1 analiza kod isključenog voda 1-2(1) jasno prikazuje preopterećeno stanje voda 1-2(2). Na istoj slici prikazana je i raspodjela tokova snaga u slučaju korištenja predloženog modela optimalne promjene topologije mreže NZS IEEE 14 B. Iz navedenog prikaza je jasno kako će se korištenjem navedene NZS-e opterećenje voda 1-2(2) smanjiti unutar dozvoljenih granica.

Slika 7.10 prikazuje usporedbu iznosa napona na sabirnicama 1 do 14 na kojoj je vidljivo značajno smanjenje iznosa napona nove sabirnice 22. Unatoč značajnom smanjenju iznosa napona sabirnice 22, upotreba predloženog modela optimalne promjene topologije mreže ne narušava naponsku sigurnost analiziranog ispitnog sustava u cijelosti.

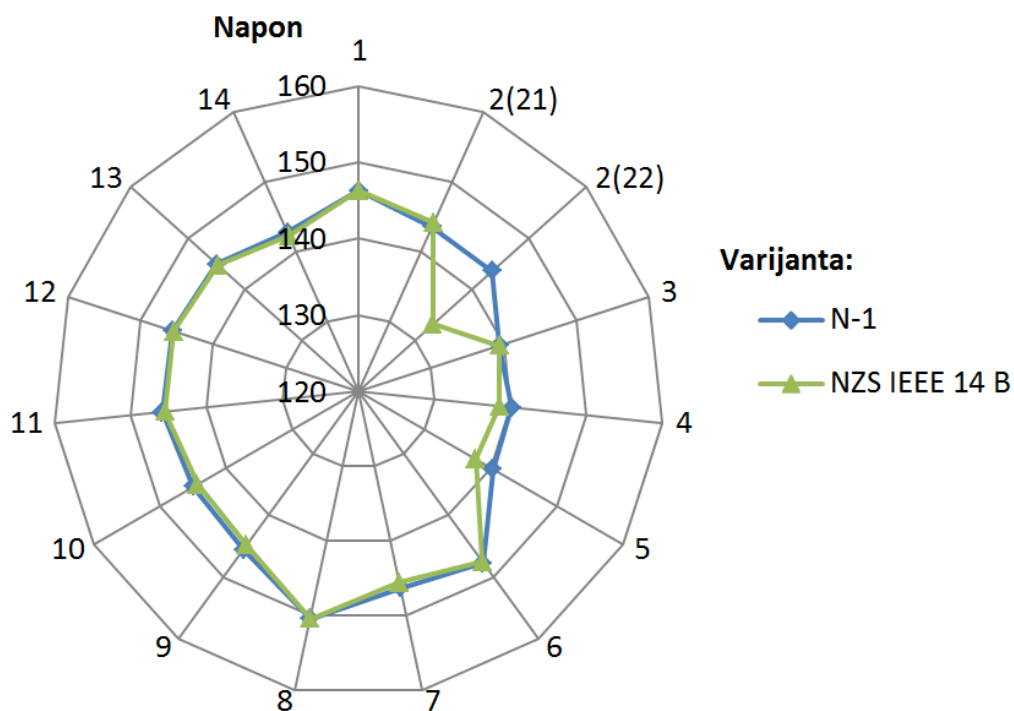
Slika 7.11 prikazuje usporedbu kutova napona na sabirnicama 1 do 14. Jasno je prikazano kako upotreba predloženog modela optimalne promjene topologije mreže mijenja iznose kutova napona u odnosu na N-1 stanje. Kutovi napona između sabirnica se generalno povećavaju, ali ne narušavaju sigurnost sustava u cijelosti.

Primjenom NZS IEEE 14 B održava se postojeća razina proizvodnje i potrošnje promatranog sustava, a blago se povećavaju gubici mreže (slika 7.12). Upotreba predloženog modela optimalne promjene topologije mreže rezultira zadovoljavajućim sigurnosnim kriterijima po pitanju tokova snaga i naponskih prilika te se predlaže za korištenje u slučaju preopterećenja bilo kojeg od vodova između sabirnica 1 i 2.

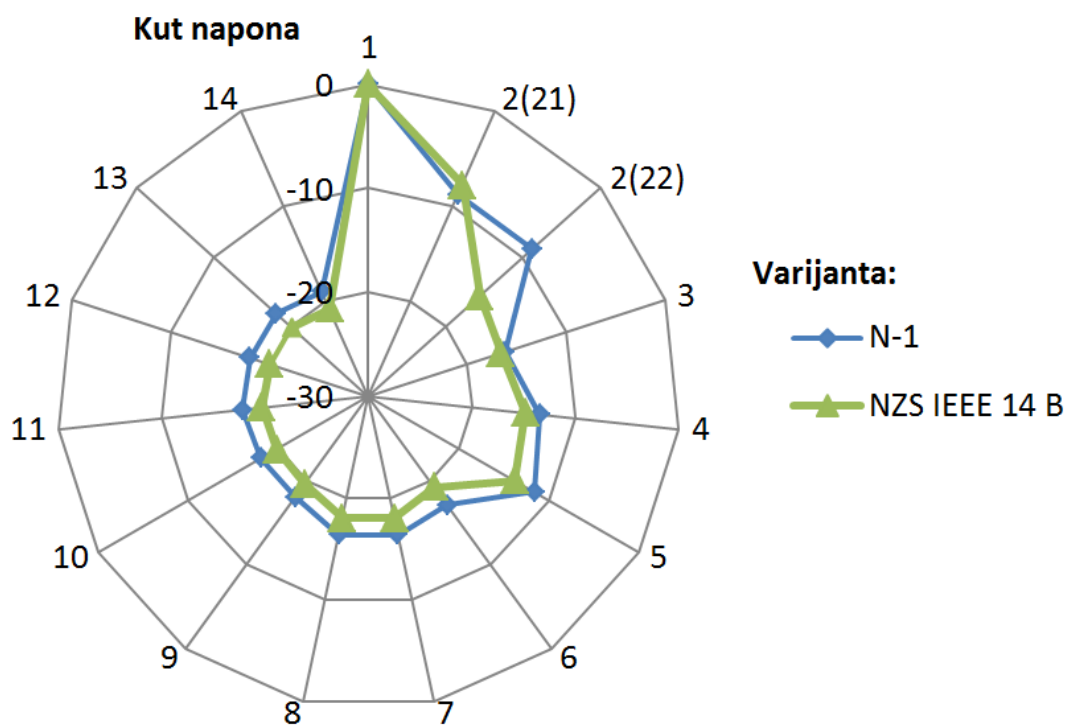
Elementi



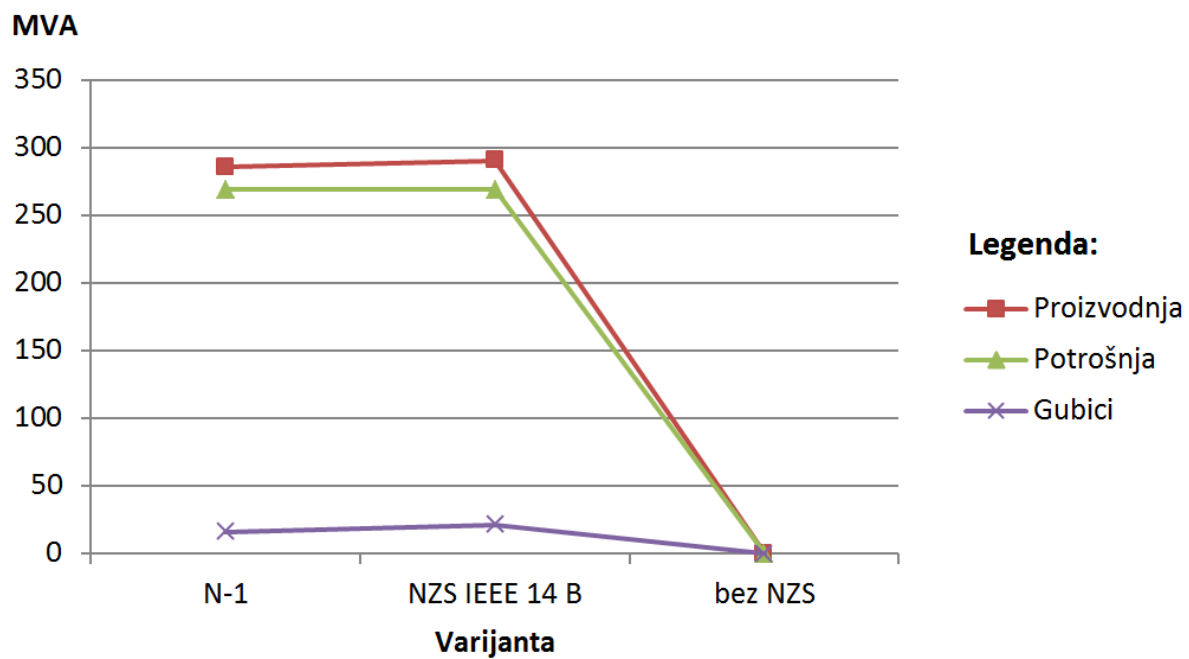
Slika 7.9 Usporedba prividne snage elemenata korištenjem NZS IEEE 14 B



Slika 7.10 Usporedba iznosa napona sabirnica korištenjem NZS IEEE 14 B



Slika 7.11 Usporedba kutova napona sabirnica korištenjem NZS IEEE 14 B



Slika 7.12 Usporedba proizvodnje, potrošnje i gubitaka korištenjem NZS IEEE 14 B

8. MODEL OPTIMALNOG RASTEREĆENJA ZASNOVAN NA LINEARNOM PRORAČUNU I SINKRONIZIRANIM MJERENJIMA FAZORA

8.1. Definiiranje modela optimalnog rasterećenja

Druga grupa mjera djelovanja NZS-a usmjerena je prema rasterećenju EES-a ili smanjenju proizvodnje. Obje vrste djelovanja imaju direktan utjecaj na sudionike priključene na elektroenergetsku mrežu, a sve u cilju održavanja sigurnosti šireg dijela EES-a. Korektivne mjere otpuštanja tereta ili proizvodnje iako nisu preporučljive ponekad su nužne radi očuvanja sigurnosti rada EES-a u cjelini. U nastavku je opisan model optimalnog rasterećenja zasnovan na linearnom proračunu i sinkroniziranim mjerenjima fazora kao jedan od modela druge grupe mjera djelovanja NZS-a [47].

Zadatak optimizacijskog algoritma je ublažiti preopterećenje nastalo u prijenosnoj mreži optimizacijom potrošnje u cilju očuvanja sigurnosti EES-a. Algoritam koristi mješovito cjelobrojno linearno programiranje (MILP) zasnovano na metodi grananja i ograđivanja.

8.2. Matematički opis problema optimalnog rasterećenja

Proračun tokova snaga za istosmjerni model mreže temelji se na sljedećem izrazu:

$$P_{ij} = \left(\frac{\delta_i - \delta_j}{X_{ij}} \right) \cdot T_{ij}; \quad i, j \in N; \quad \delta_{REF} = 0 \quad (8.1)$$

gdje je:

- i, j – oznake čvorišta,
- P_{ij} – tok djelatne snage od čvorišta i prema čvorištu j ,
- δ_i, δ_j – fazni kut napona za čvorište i i j ,
- X_{ij} – reaktancija elementa između čvorišta i i j ,
- T_{ij} – uključenost elemenata između čvorišta i i j , definiran kao 0 za isključeno i 1 za uključeno stanje,
- N – broj čvorišta,
- δ_{REF} – referentni fazni kut napona.

Suma djelatnih snaga čvorišta definirana je prema sljedećem izrazu:

$$VARL_i \cdot L_i = G_i + \sum_{j \in N} P_{ij}; \quad i, j \in N \quad (8.2)$$

gdje je:

- $VARL_i$ – varijabla odlučivanja o rasterećenju čvorišta i , definirana kao 0 za potrebu isključenja i 1 za zadržavanje uključenog stanja,
- L_i – djelatna snaga tereta priključenog u čvorištu i izražena u MW,
- G_i – djelatna snaga proizvedena u čvorištu i izražena u MW.

Faktor prilagodbe k_Q koji se računa u stvarnom vremenu osmišljen je kako bi se nadomjestila netočnost istosmjernog modela mreže. Predstavlja utjecaj jalove snage u stvarnom sustavu u odnosu na njeno zanemarivanje u istosmjernom modelu mreže.

$$P_{ij} \leq k_Q \cdot S_{MAXij}; \quad i, j \in N \quad (8.3)$$

gdje je:

- k_Q – faktor prilagodbe koji se računa u stvarnom vremenu kod nastanka preopterećenja prema izrazu (8.4), a izražava se u MW/MVA,
- S_{MAXij} – najveće dozvoljeno prividno opterećenje između čvorišta i i j izraženo u MVA.

Faktor prilagodbe k_Q računa se u stvarnom vremenu prema sljedećem izrazu, a njegova vrijednost je uvijek manja od 1:

$$k_Q = \frac{P_{DCij}}{S_{REALij}}; \quad i, j \in N; \quad k_Q < 1 \quad (8.4)$$

gdje je:

- P_{DCij} – proračunati tok djelatne snage od čvorišta i prema čvorištu j na temelju istosmjernog modela mreže u slučaju preopterećenja,
- S_{REALij} – stvarno izmjerena prividna snaga preopterećenog elementa od čvorišta i prema čvorištu j u trenutku nastanka preopterećenja.

Kao dodatni kriterij optimizacije, algoritam dopušta definiranje prioriteta opskrbe tereta koji se ne smiju isključivati. Kriterij prioriteta opskrbe definiran je sljedećim izrazom:

$$VARL_i \geq PRIOR_i; \quad i \in N \quad (8.5)$$

gdje je:

- $PRIOR_i$ – kriterij prioriteta opskrbe u čvorištu i , definiran kao 0 za terete koji se smiju isključiti ili kao 1 za terete koji moraju ostati uključeni.

Funkcija cilja opisanog optimizacijskog algoritma je maksimizirati ukupnu sumu uključenog tereta prema sljedećem izrazu:

$$Max(\sum_{i \in N} VARL_i \cdot L_i) \quad (8.6)$$

Opisani optimizacijski algoritam pronalazi kombinaciju uključenih tereta u čvorištima čija ukupna suma izmjerena u stvarnom vremenu predstavlja najveću moguću vrijednost uzimajući u obzir ograničenja dozvoljenog opterećenja elemenata u stvarnom uklopnom stanju prijenosne mreže.

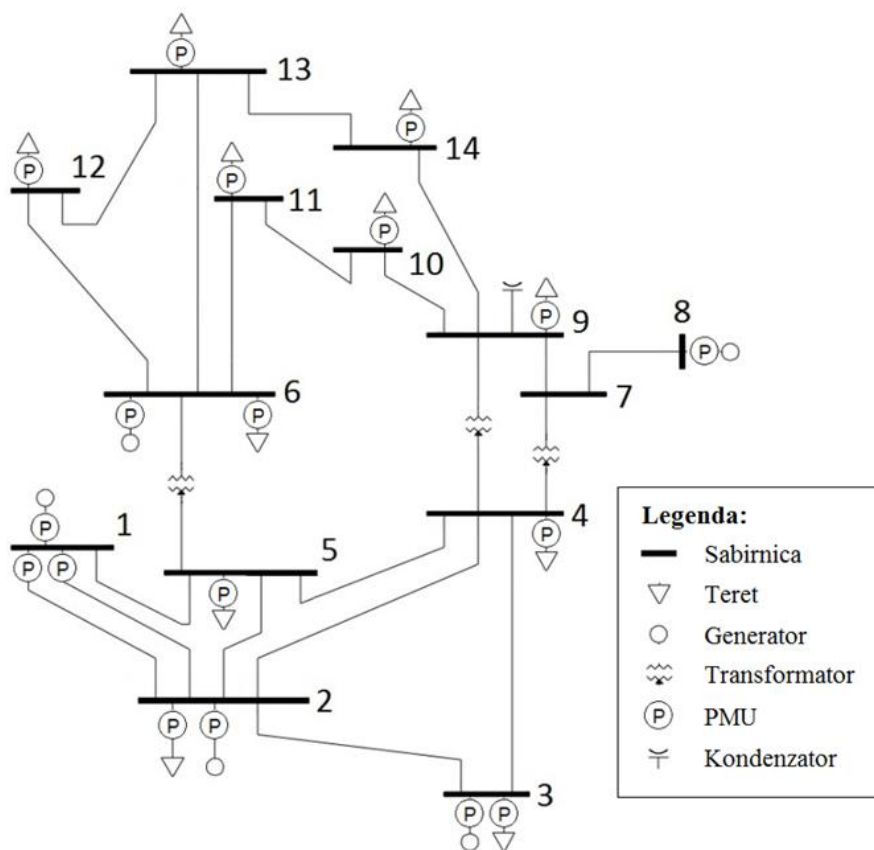
8.3. Provjera modela optimalnog rasterećenja na IEEE ispitnom sustavu

Provjera modela optimalnog rasterećenja zasnovanog na linearnom proračunu i sinkroniziranim mjerenjima fazora izvedena je na istom ispitnom sustavu na kojem je provjeren rad modela za promjenu topologije mreže. Na taj način mogu se usporediti razlike u djelovanjima modela koji održavaju postojeću proizvodnju i potrošnju sustava te modela koji isključuju postojeću proizvodnju ili potrošnju sustava. Korišteni su isti podaci o IEEE ispitnom sustavu s 14 sabirnica i ista pretpostavljena dozvoljena opterećenja elemenata kao u prethodnoj analizi. Na slici 8.1 prikazan je IEEE ispitni model s 14 sabirnica te prijedlog smještaja sinkroniziranih mjernih uređaja za potrebe modela optimalnog rasterećenja.

Kao podsjetnik u nastavku je navedena tablica s pretpostavljenim dozvoljenim ograničenjima elemenata ispitnog sustava (tablica 8.1).

Tablica 8.1 Pretpostavljena dozvoljena ograničenja elemenata ispitnog sustava

Elementi	Dozvoljeno opterećenje (MVA)
Vodovi 1-2 (1), 1-2 (2), 1-5, 2-3, 2-4, 2-5, 3-4, 4-5	130
Transformatori 4-7, 4-9, 5-6	85
Vodovi 6-11, 6-12, 6-13, 7-8, 7-9, 9-10, 9-14, 10-11, 12-13, 13-14	70



Slika 8.1 IEEE ispitni sustav s 14 sabirnica s prijedlogom smještaja sinkroniziranih mjernih uređaja za potrebe modela optimalnog rasterećenja

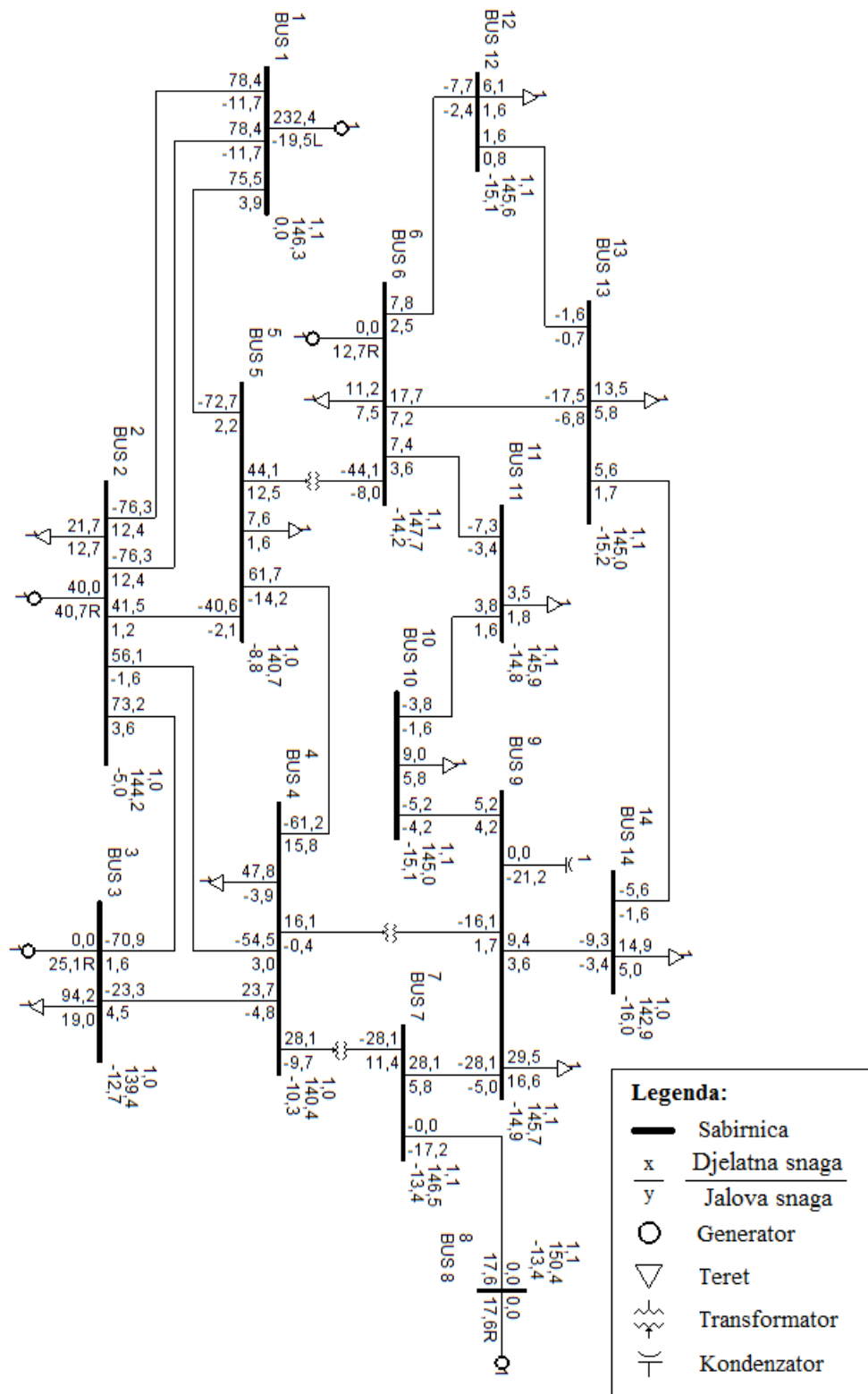
8.3.1. Opis osnovnog scenarija

Proračun tokova snaga izveden je na osnovnom scenariju bez utjecaja na početne postavke izmjeničnog modela mreže. Proračun tokova snaga osnovnog scenarija je već opisan kod provjere modela za promjenu topologije mreže. Za razliku od navedenog proračuna na kojem se prikazuju vrijednosti prividne snage i postotnog opterećenja vodova, na slici 8.2 se prikazuju vrijednosti djelatne i jalove snage na svim elemenata.

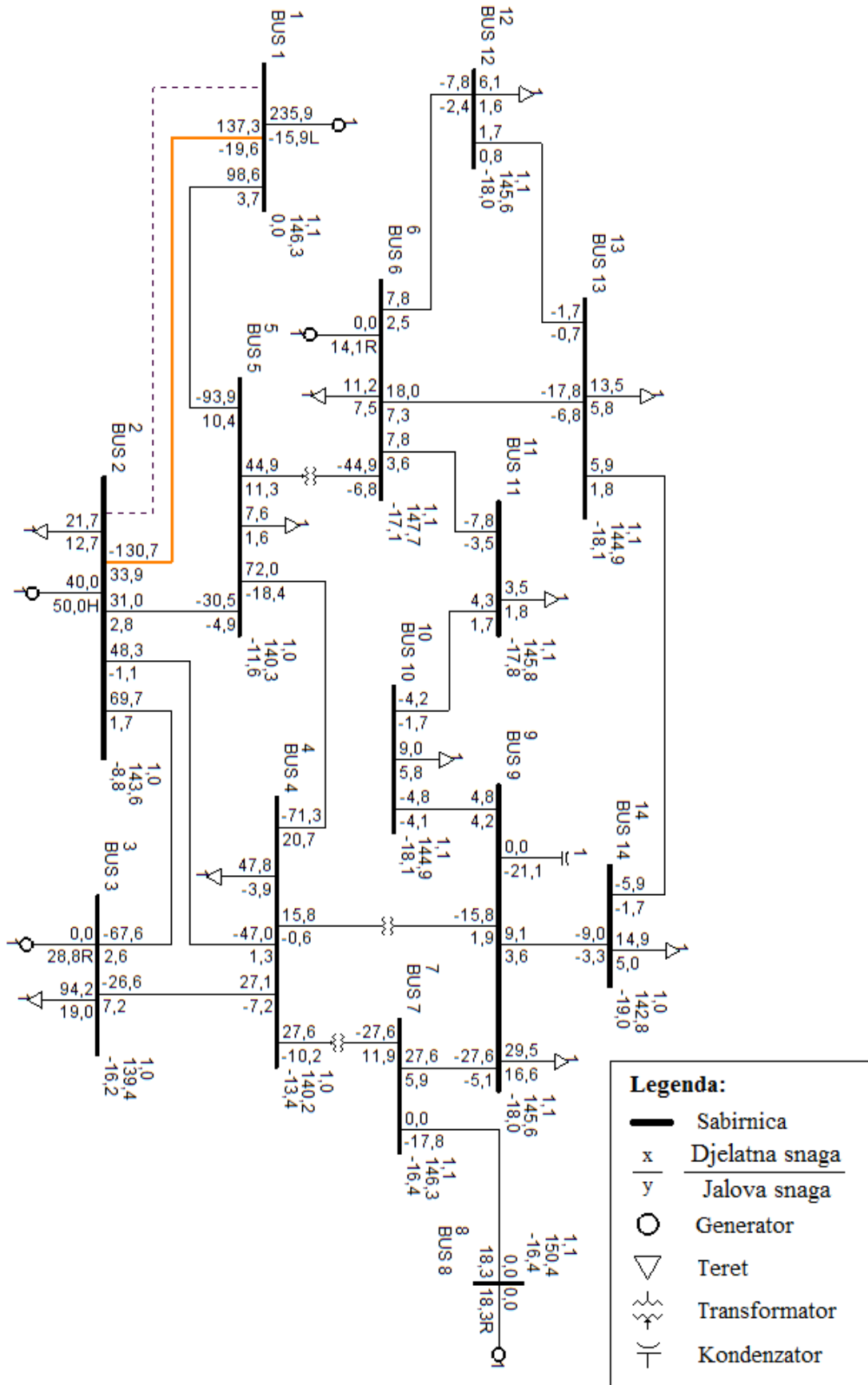
8.3.2. N-1 analiza osnovnog scenarija

N-1 analiza osnovnog scenarija je već opisana kod provjere modela za promjenu topologije mreže. Ponovimo kako je N-1 analizom isključenog stanja jednog od vodova između sabirnica 1 i 2 utvrđen nastanak preopterećenja drugog voda koji povezuje iste sabirnice. Na slici 8.3 prikazan je proračun tokova snaga N-1 analize isključenog voda 1-2(1) zato što prikazuje iznose djelatne i jalove snage na elementima u odnosu proračuna

prikazanog u poglavlju provjere modela za promjenu topologije mreže koji prikazuje prividnu i postotnu snagu na vodovima.



Slika 8.2 Proračun tokova snaga osnovnog scenarija s prikazom djelatne i jalove snage vodova



Slika 8.3 N-1 analiza voda 1-2(1) s prikazom djelatne i jalove snage vodova

8.3.3. Izračun faktora prilagodbe k_{Q-IEEE}

Potrebno je prvo izvesti proračun na istosmjernom modelu mreže kako bi se mogla potom napraviti prilagodba optimizacijskog algoritma na izmjenični model mreže. Prema proračunu istosmjernog modela mreže tok djelatne snage voda 1-2(2) iznosi 127,3 MW. Prema slici 8.3, proračunom izmjeničnog modela mreže, tok djelatne snage voda 1-2(2) iznosi 137,3 MW, a tok jalove snage -19,6 Mvar, što iznosi 138,7 MVA prividne snage.

Faktor prilagodbe k_{Q-IEEE} za slučaj preopterećenja voda 1-2 (2) može se izračunati prema sljedećem izrazu:

$$k_{Q-IEEE} = \frac{P_{1-2(2)DC}}{S_{1-2(2)REAL}} = \frac{127,3 \text{ MW}}{138,7 \text{ MVA}} = 0,92 \frac{\text{MW}}{\text{MVA}} \quad (8.7)$$

Izračunati faktor prilagodbe k_{Q-IEEE} u iznosu 0,92 MW/MVA koristi se kao ulazni parametar optimizacijskog algoritma.

8.3.4. Izbor modela optimalnog rasterećenja NZS IEEE 14 O

Uzimajući u obzir ulazne podatke o iznosu proizvodnje i tereta u svakoj sabirnici, reaktancija vodova i transformatora zajedno s uklopnim stanjem mreže, optimizacijski algoritam kao rješenje daje odluku koje terete je potrebno isključiti kako bi se optimalno ublažilo preopterećenje voda 1-2(2).

Prema opisanom scenariju uz izračunati faktor prilagodbe optimizacijski algoritam donosi odluku kako je potrebno isključiti teret sabirnice 6 u iznosu 11,2 MW i teret sabirnice 11 u iznosu 3,5 MW, što ukupno čini 14,7 MW tereta koje je potrebno isključiti kako bi se optimalno ublažilo opterećenje voda 1-2(2) (slika 8.4).

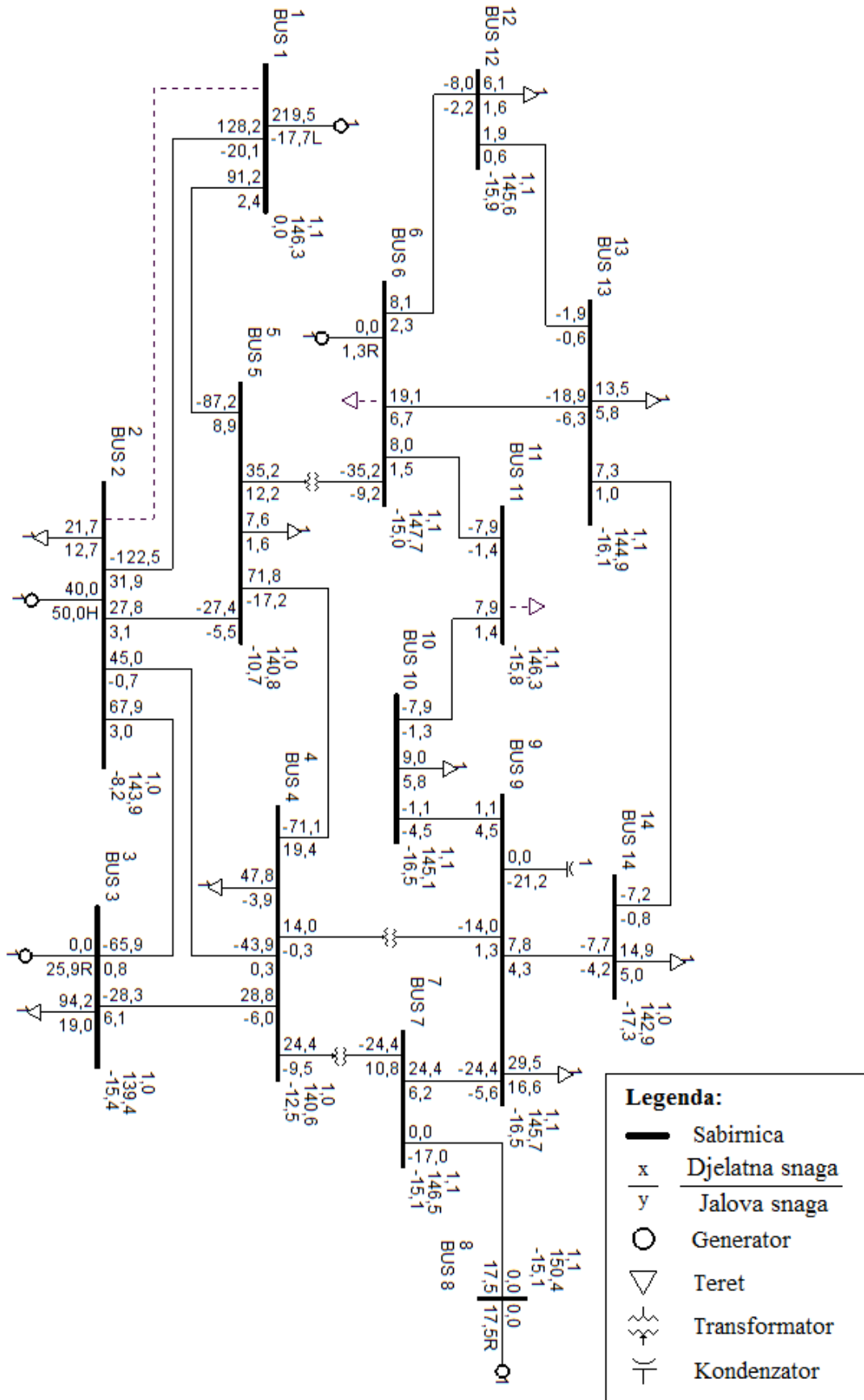
Vrijeme izvođenja optimizacijskog algoritma iznosilo je 10 ms, a optimalno rješenje je postignuto unutar 14 iteracija. Iznimno brzi pronalazak optimalnog rješenja potvrđuje mogućnost primjene razvijenog algoritma u sklopu NZS-a. Opisano rješenje optimizacijskog algoritma definirano je u nastavku disertacije kao NZS IEEE 14 O. Rezultati su prikazani u tablici 8.2, a programski kod prikazan je u prilogu 5.

Rješenja optimizacijskog algoritma NZS IEEE 14 O provjereno je proračunom tokova snaga na izmjeničnom modelu mreže (slika 8.5). Simulirana su isključena stanja tereta u sabirnicama 6 i 11. Proračunom tokova snaga dobiveni su iznosi 128,2 MW djelatne snage i -20,1 Mvar jalove snage na vodu 1-2(2) što iznosi 129,77 MVA prividne snage. Proračunata prividna snaga iznosi 99,82 % dozvoljene prividne snage ugroženog voda.

Tablica 8.2 Rezultati optimizacije NZS IEEE 14 O

Sabirnica	Teret (MW)	NZS IEEE 14 O Optimalno rješenje uključenosti tereta 0 – potrebno isključiti, 1 – ostaviti uključeno
1	0	0
2	21,7	1
3	94,2	1
4	47,8	1
5	7,6	1
6	11,2	0
7	0	0
8	0	0
9	29,5	1
10	9	1
11	3,5	0
12	6,1	1
13	13,5	1
14	14,9	1
Ukupna suma tereta prije optimizacije (MW)		259
Ukupna suma tereta nakon optimizacije (MW)		244,3
Ukupni teret koji je potrebno isključiti (MW)		14,7

Može se zaključiti kako je optimizacijski algoritam NZS IEEE 14 O ponudio rješenje koje je uspješno ublažilo preopterećenje voda 1-2(2) i to s iznimnom točnosti.



Slika 8.5 Provjera djelovanja NZS IEEE 14 O na izmjeničnom modelu mreže

8.3.5. Izbor modela optimalnog rasterećenja NZS IEEE 14 P

Kada se analiziraju metode rasterećenja sustava potrebno je definirati kriterije koji osiguravaju prioritet opskrbe odabranog tereta. Situacija kada pojedini teret ne smije biti isključen zbog različitih razloga pretpostavljena je i u sklopu razvoja optimizacijskog algoritma. Može se reći kako takav teret ima prioritet opskrbe nad drugim teretima.

The screenshot displays the Xpress-IVE software interface. The top window shows the model definition code, including parameters like `FAKTOR_SIGURNOSTI := 0.92` and `TERET := [0,21,7,94,2,47,8,7,6,11,2,0,0,29,5,9,3,5]`. The middle window shows a table of results for the 'SNAGA_OBJEKTA' (Power Object) with columns for object ID, power, and other metrics. The bottom window shows the 'Output/Input' window with a list of results for various 'TERET' (Load) objects, including their optimal values and status.

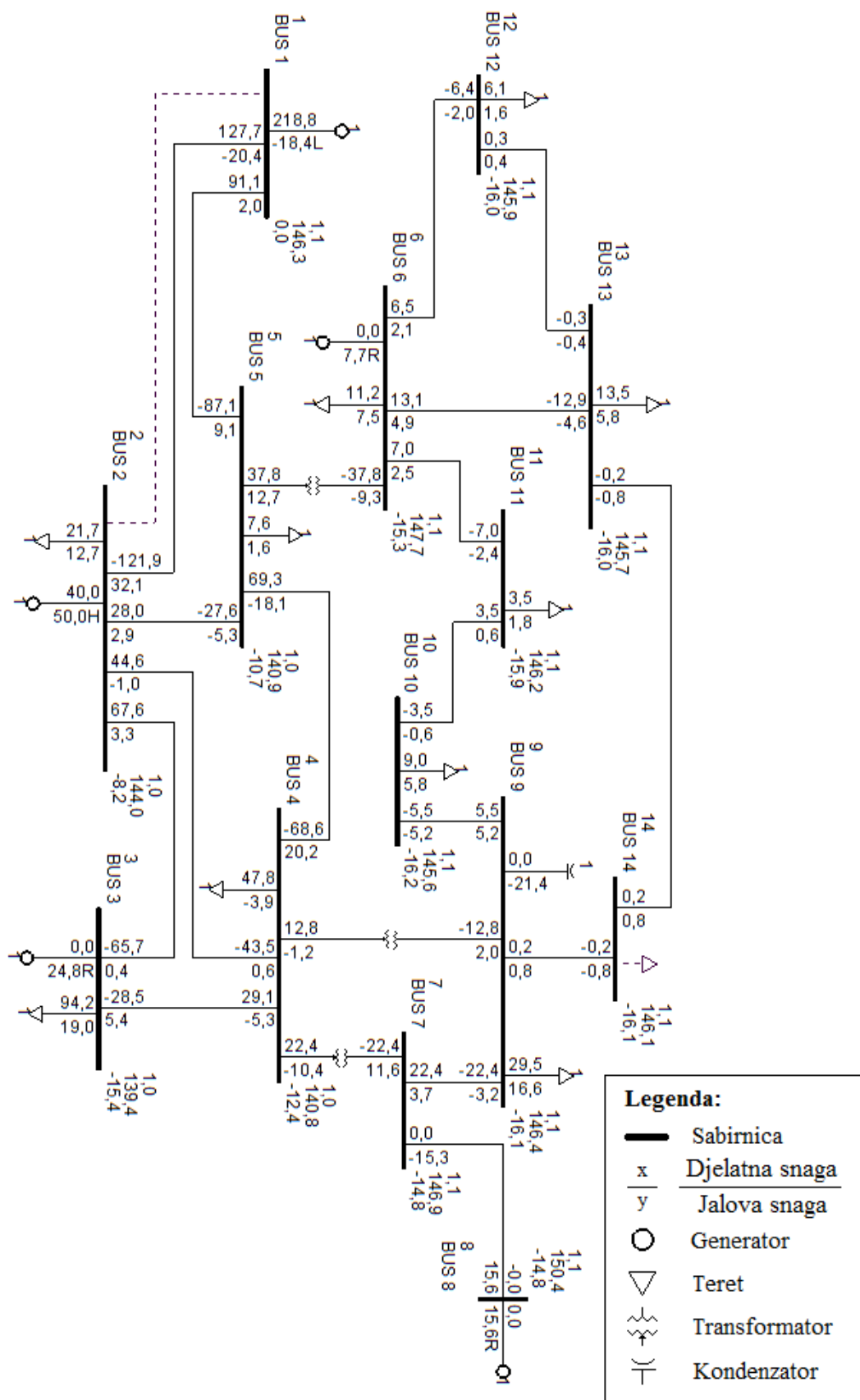
Rezultati prikazani u tablici u nastavku

Slika 8.6 Rješenje optimizacijskog algoritma NZS IEEE 14 P

Kako bi se ispitao ispravan rad predloženog optimizacijskog algoritma postavljeni su prioriteta opskrbe uz početno odabrane tereta u sabirnicama 6 i 11. Nakon ponovne optimizacije sa zadanim prioritetima opskrbe rješenje algoritma se promijenilo. Novo rješenje definira kako je potrebno isključiti teret u sabirnici 14 u iznosu 14,9 MW (slika 8.6). Opisano rješenje optimizacijskog algoritma definirano je u nastavku disertacije kao NZS IEEE 14 P. Rezultati su prikazani u tablici 8.3.

Tablica 8.3 Rezultati optimizacije NZS IEEE 14 P s uvedenim prioritetom opskrbe

Sabirnica	Teret (MW)	Prioritet opskrbe 0 – smije se isključiti 1 – ne smije se isključiti	NZS IEEE 14 P Optimalno rješenje uključenosti tereta 0 – potrebno isključiti, 1 – ostaviti uključeno
1	0	0	0
2	21,7	0	1
3	94,2	0	1
4	47,8	0	1
5	7,6	0	1
6	11,2	1	1
7	0	0	0
8	0	0	0
9	29,5	0	1
10	9	0	1
11	3,5	1	1
12	6,1	0	1
13	13,5	0	1
14	14,9	0	0
Ukupna suma tereta prije optimizacije (MW)			259
Ukupna suma tereta nakon optimizacije (MW)			244,1
Ukupni teret koji je potrebno isključiti (MW)			14,9



Slika 8.7 Provjera djelovanja NZS IEEE 14 P na izmjeničnom modelu mreže

Rješenje optimizacijskog algoritma NZS IEEE 14 P provjereno je proračunom tokova snaga na izmjeničnom modelu mreže (slika 8.7). Simulirana su uključena stanja tereta u sabirnicama 6 i 11, a isključeno stanje tereta u sabirnici 14. Proračunom tokova snaga dobiveni su iznosi 127,7 MW djelatne snage i -20,4 Mvar jalove snage na vodu 1-2(2) što iznosi 129,32 MVA prividne snage. Proračunata prividna snaga iznosi 99,48 % dozvoljene prividne snage ugroženog voda. Može se zaključiti kako je optimizacijski algoritam s uvedenim prioritetom opskrbe ponudio rješenje koje je uspješno ublažilo preopterećenje voda 1-2(2) i to ponovno s iznimnom točnošću.

8.3.6. Usporedba rezultata optimizacije i procjena sigurnosti IEEE ispitnog sustava

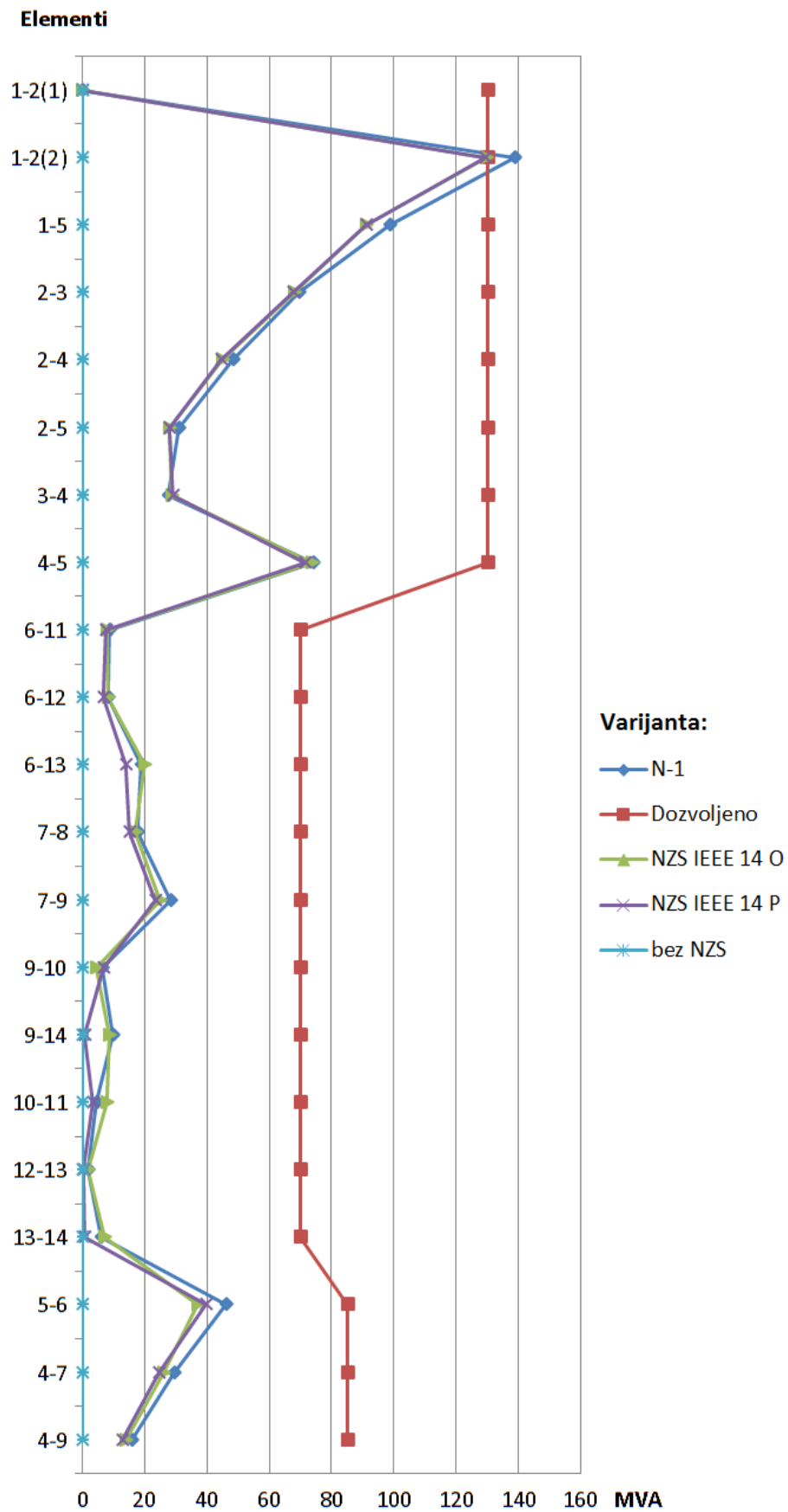
Procjena sigurnosti IEEE ispitnog sustava s 14 sabirnica korištenjem predloženih modela sastoji se od usporedbe tokova snaga i naponskih prilika uključujući razinu proizvodnje, potrošnje i gubitaka za svaki pojedini slučaj.

Slika 8.8 crvenom bojom prikazuje dozvoljena opterećenja elemenata u promatranom dijelu mreže. N-1 analiza kod isključenog voda 1-2(1) jasno prikazuje preopterećeno stanje voda 1-2(2). Na istoj slici prikazana je i raspodjela tokova snaga u slučaju korištenja predloženih modela optimalnog rasterećenja NZS IEEE 14 O i NZS IEEE 14 P uz definirane prioritete opskrbe. Iz navedenog prikaza je jasno kako će se korištenjem bilo koje od dvije navedene NZS-e opterećenje voda 1-2(2) smanjiti unutar dozvoljenih granica. Točne vrijednosti prividne snage i postotnog opterećenja voda 1-2(2) za različite modele prikazani su u tablici 8.4.

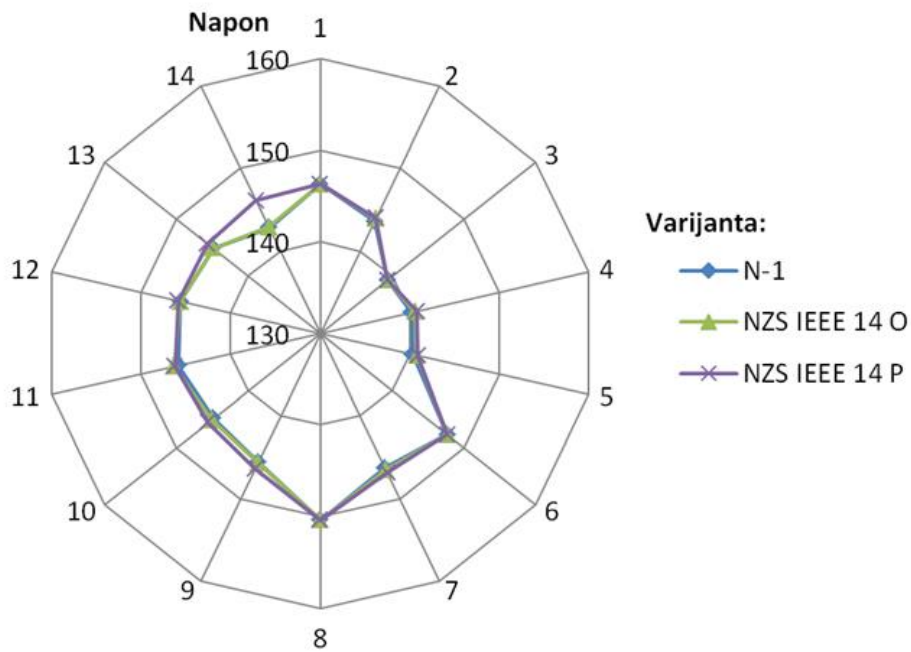
Tablica 8.4 Prividna snaga i postotno opterećenje voda 1-2(2) za različite modele

Vod		SMAX	N-1 vod 1-2 (1)	NZS IEEE 14 O Optimalno rješenje	NZS IEEE 14 P Optimalno rješenje uz prioritet opskrbe
1-2 (2)	MVA	130	138,69	129,77	129,32
	%	100	106,69	99,82	99,48

Slika 8.9 prikazuje usporedbu iznosa napona na sabirnicama na kojoj se jasno vidi kako upotreba predloženih modela optimalnog rasterećenja ne narušava naponsku sigurnost analiziranog ispitnog sustava.

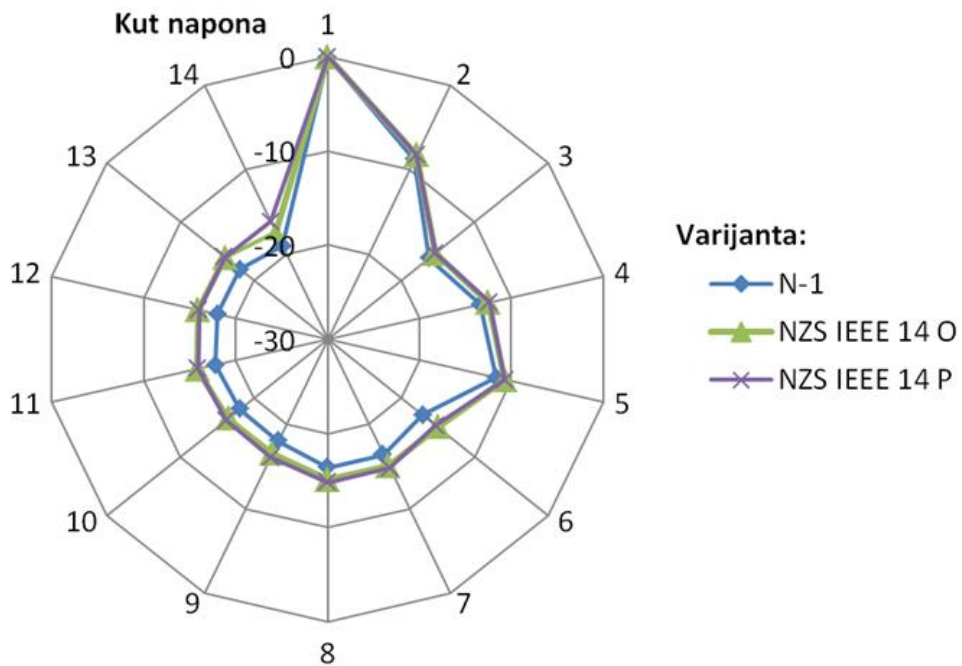


Slika 8.8 Usporedba prividne snage elemenata korištenjem NZS IEEE 14 O i P



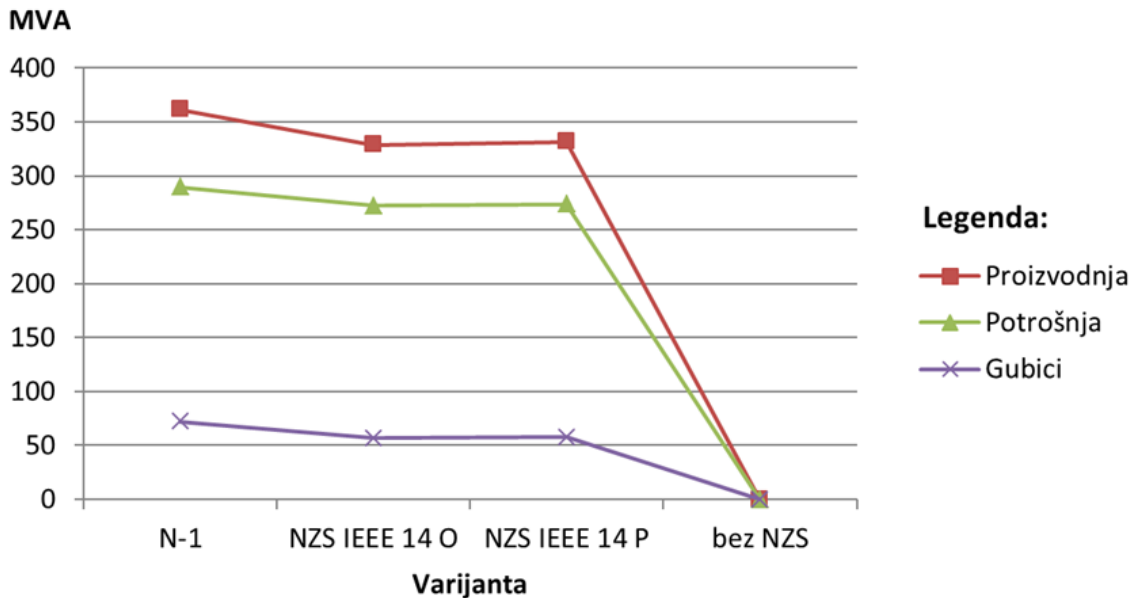
Slika 8.9 Usporedba iznosa napona sabirnica korištenjem NZS IEEE 14 O i P

Slika 8.10 prikazuje usporedbu kutova napona na sabirnicama 1 do 14. Jasno je prikazano kako upotreba predloženih modela optimalnog rasterećenja NZS IEEE 14 O i NZS IEEE 14 P mijenja naponske prilike u odnosu na N-1 stanje. Kutovi napona između sabirnica se generalno smanjuju i ne narušavaju sigurnost sustava.



Slika 8.10 Usporedba kutova napona sabirnica korištenjem NZS IEEE 14 O i P

Osnovno načelo modela optimalnog rasterećenja je isključenje tereta iz sustava što se jasno prikazuje na slici 8.11. Primjenom NZS IEEE 14 O i NZS IEEE 14 P smanjuje se ukupna potrošnja sustava u odnosu na N-1 stanje. Upotreba oba predložena modela rezultira zadovoljavajućim sigurnosnim kriterijima po pitanju tokova snaga i naponskih prilika te se izbor modela optimalnog rasterećenja svodi na definiranje prioriteta opskrbe potrošača.



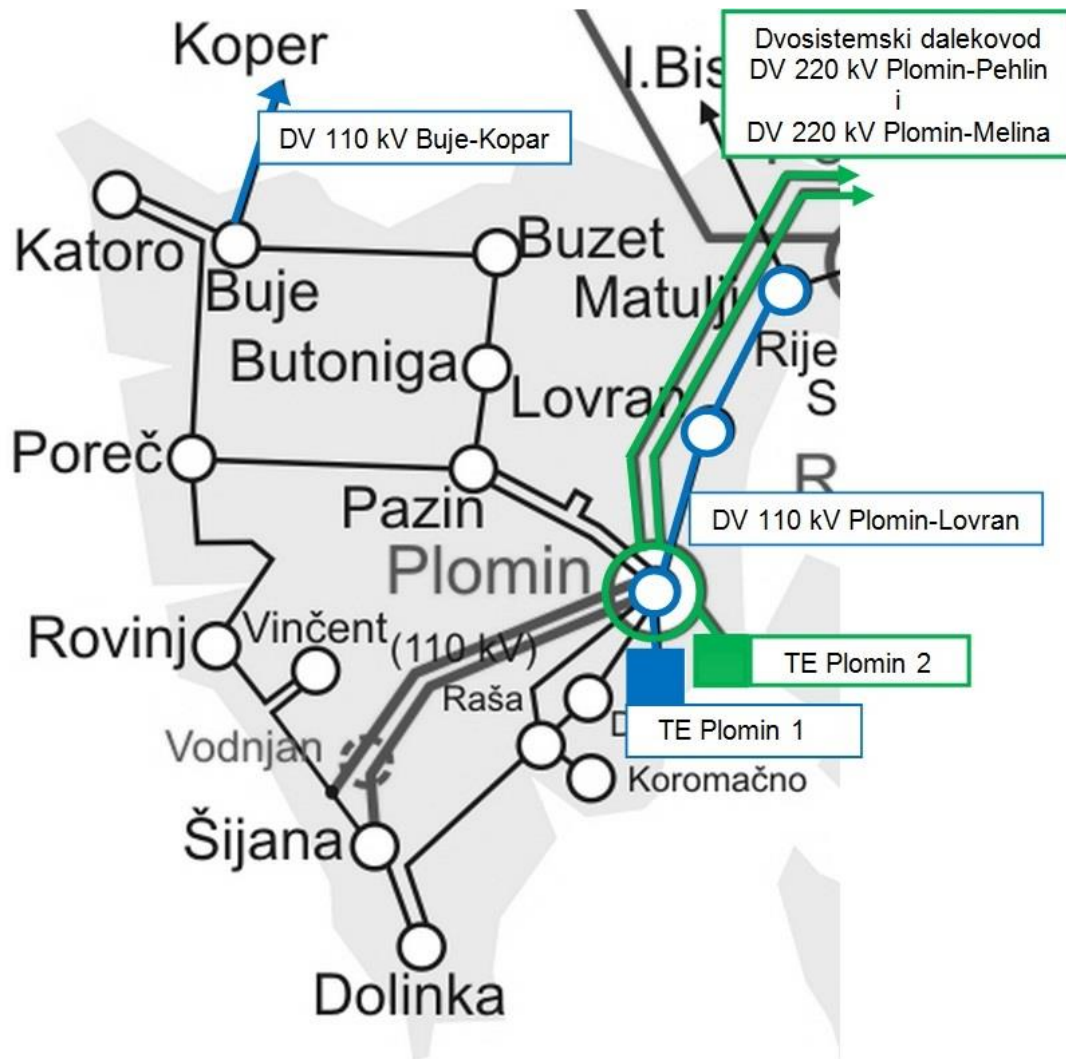
Slika 8.11 Usporedba proizvodnje, potrošnje i gubitaka korištenjem NZS IEEE 14 O i P

9. PRIMJENA MODELA OPTIMALNOG RASTEREĆENJA NA PRIMJERU DIJELA EES-A HRVATSKE PODSUSTAVA ISTRE

Elektroenergetski podsustav Istre povezan je s ostatkom EES-a 220 kV vodovima Plomin – Pehlin i Plomin – Melina te 110 kV vodovima Plomin – Lovran – Matulji i Buje – Kopar (slika 9.1). Proizvodni kapacitet Istre definiran je centraliziranom proizvodnjom TE Plomin koju čine dva agregata: Plomin 1 instalirane snage 115 MW i Plomin 2 210 MW. Agregat Plomin 1 priključen je na 110 kV postrojenje, a Plomin 2 na 220 kV postrojenje. Ukupni proizvodni kapacitet TE Plomin iznosi 325 MW. Tijekom ljetnih mjeseci većina konzuma koncentrirana je u istočnom i zapadnom obalnom pojasu Istre. Razlog tome je sve veći razvoj turizma popraćen izgradnjom velikih hotelskih lanaca s velikim priključnim snagama. Ljetna vršna opterećenja podsustava kreću se oko 280 MW s tendencijom daljnjeg rasta. Zadnji maksimum postignut je 1. kolovoza 2018. godine u 21:45 h i iznosio je 289,5 MW.

Najveća stanica promatranog područja je TS 220/110 kV TE Plomin. Vanjsko postrojenje 220 kV unutar TE Plomin izvedeno je s dva sustava glavnih sabirnica. Postrojenje nazivnog napona 220 kV povezano je sa 110 kV postrojenjem pomoću tri autotransformatora, svaki nazivne snage 150 MVA. Postrojenje 110 kV u suštini ima jedan sustav glavnih sabirnica koji je razdijeljene na dvije sekcije i jedan sustav pomoćnih sabirnica. Rekonstrukcija 110 kV postrojenja TE Plomin izvedena je 2006. godine pri čemu je zamijenjena primarna i sekundarna oprema. Nije se ulazilo u promjenu konfiguracije 110 kV postrojenja pa je tako ostavljen sustav glavnih i pomoćnih sabirnica.

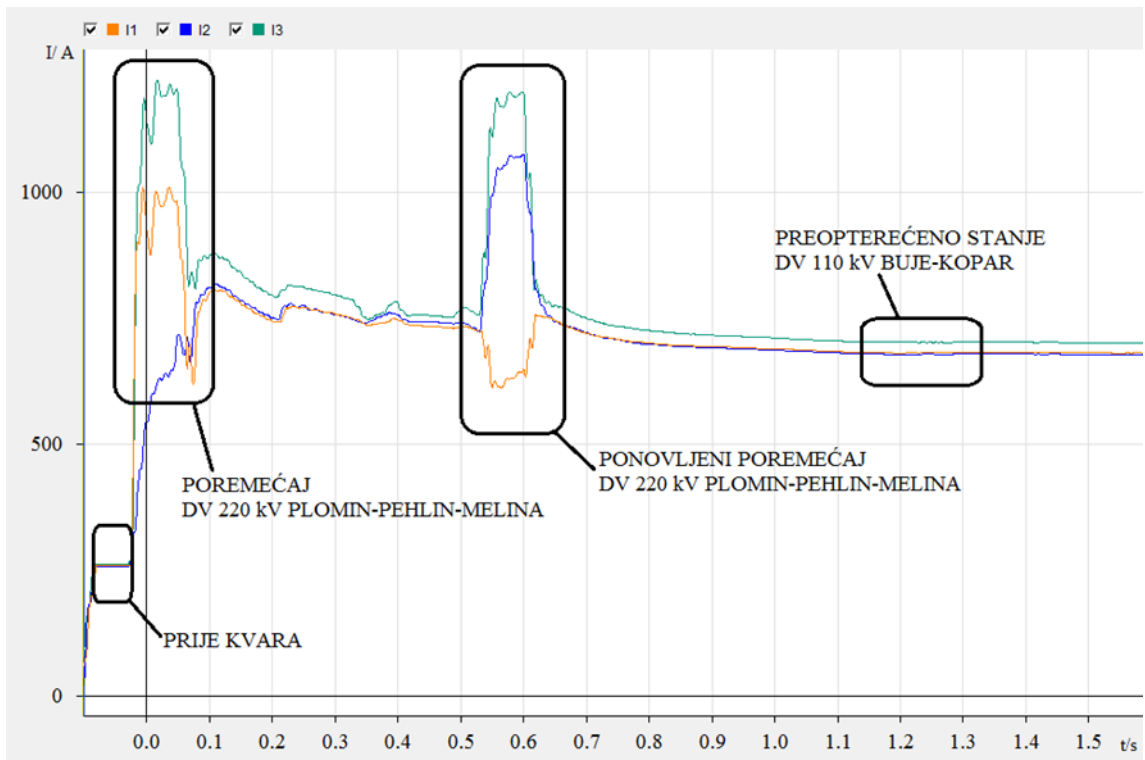
Prijašnjim analizama [48], [49] i [50] utvrđeni su događaji koji tijekom velikih ljetnih opterećenja dovode podsustav Istre u stanje ugroženog pogona. U situaciji neraspoloživosti dvostrukog dalekovoda DV 220 kV Plomin – Melina – Pehlin sigurnost sustava ovisi o raspoloživosti agregata TE Plomin. U slučaju i njihove neraspoloživosti dolazi do preopterećenja preostalih veza DV 110 kV Buje – Kopar i DV 110 kV Plomin – Lovran – Matulji s ostatkom EES-a što u konačnici uzrokuje raspad podsustava Istre. Opisani scenarij dogodio se u stvarnosti 12. srpnja 2012.g. kao posljedica neplanirane neraspoloživosti agregata u TE Plomin i grmljavinskog nevremena pri čemu je od raspada podsustava Istre do njegove potpune normalizacije prošlo 26 minuta. U nastavku su prikazani snimljeni zapisi uređaja relejne zaštite ugrađenih u TS Buje na VP 110 kV Kopar i u TS Plomin na VP 110 kV Lovran neposredno prije energetskog raspada podsustava Istre.



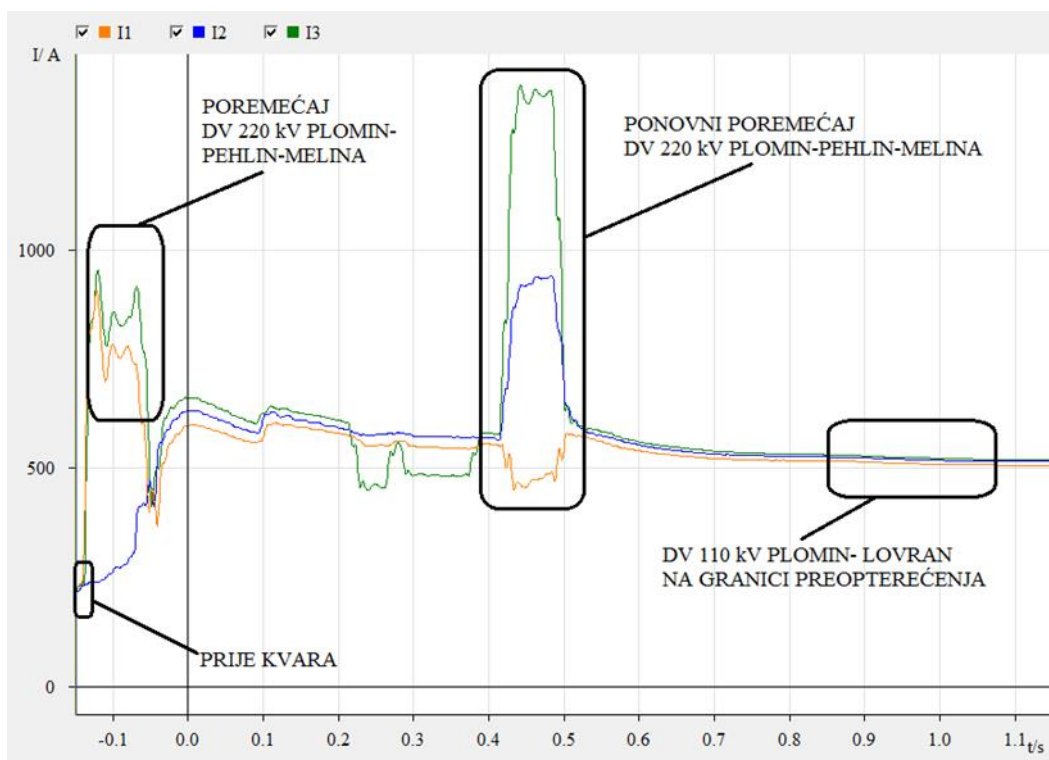
Slika 9.1 Elektroenergetski podsustav Istre

9.1. Elektroenergetski raspad podsustava Istre 12. srpnja 2012.g.

Iz slika 9.2 i 9.3 vidljivo je kako je strujno opterećenje 110 kV voda Buje-Kopar prije kvara iznosilo 257 A, a 110 kV voda Plomin-Lovran 241A. Uzrok prvog poremećaja je atmosfersko pražnjenje odnosno direktni udar munje u dvosustavni DV 220 kV Plomin-Pehlin-Melina čija je posljedica povećanje iznosa struja u prvoj i trećoj fazi oba promatrana voda. Nakon prorade uređaja relejne zaštite na DV 220 kV Plomin-Pehlin-Melina i izoliranja mjesta kvara isključivanjem pripadajućih prekidača može se primijetiti smanjenje struje u odnosu na vrijednosti za vrijeme poremećaja. Istekom podešenog vremena beznaponske pauze za trolpolno automatsko ponovno uključenje na DV 220 kV Plomin-Pehlin-Melina uređaji relejne zaštite izdaju nalog za ponovno uključenje pripadajućih prekidača pri čemu se događa ponovljeni sličan poremećaj.



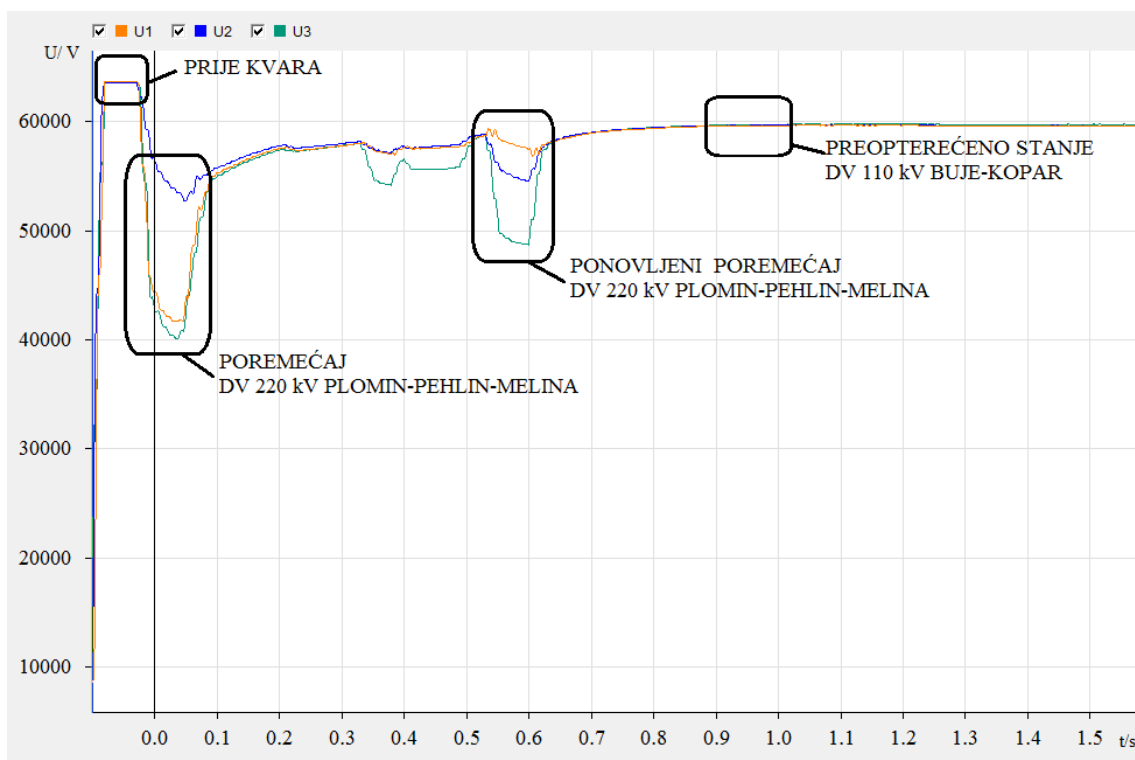
Slika 9.2 Efektivne vrijednosti struja u TS Buje na VP 110 kV Kopal



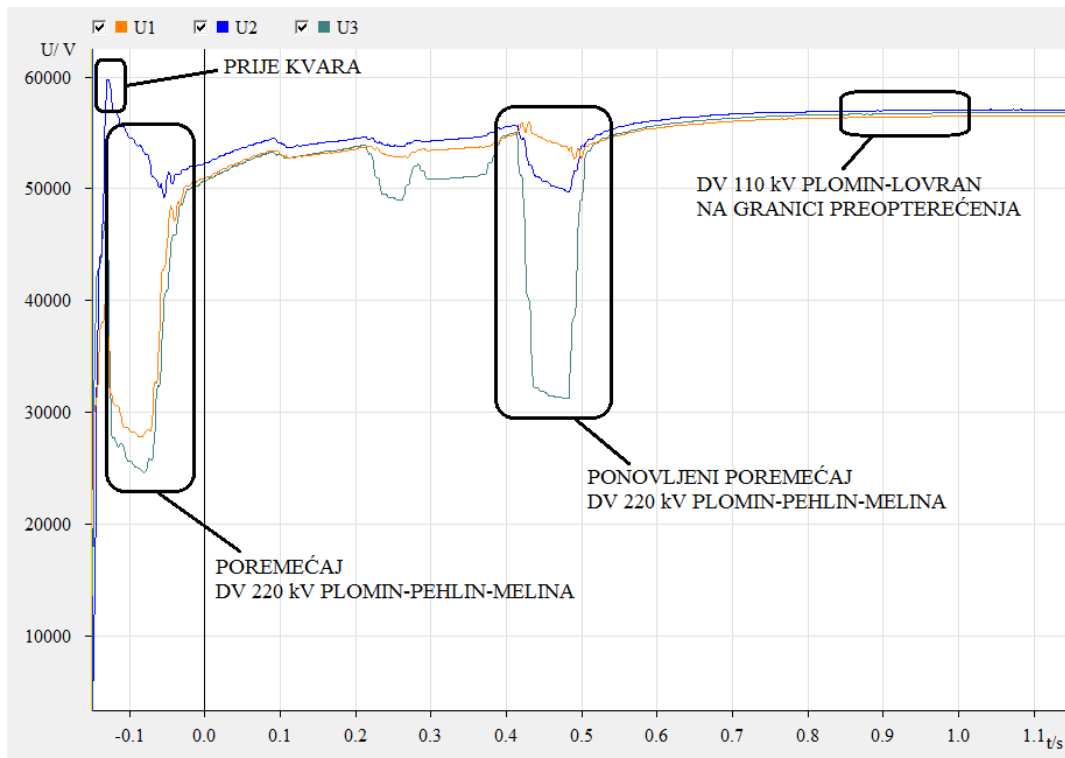
Slika 9.3 Efektivne vrijednosti struja u TS Plomin na VP 110 kV Lovran

Uzrok ponovljenog poremećaja je također bilo atmosfersko pražnjenje odnosno direktni udar munje u dvosustavni DV 220 kV Plomin-Pehlin-Melina. Ovoga puta poremećaj je zahvatio drugu i treću fazu. Nakon ponovne prorade uređaja relejne zaštite na DV 220 kV Plomin-Pehlin-Melina i izoliranja mjesta kvara isključivanjem pripadajućih prekidača uređaji proglašavaju konačno isključenje dalekovoda pošto višestruko pokretanje automatskih ponovnih uključenja nije dozvoljeno u prijenosnoj elektroenergetskoj mreži. Nakon konačnog isključenja dvosustavnog DV 220 kV Plomin-Pehlin-Melina strujno opterećenje 110 kV voda Buje-Kopar iznosilo je 700 A, a 110 kV voda Plomin-Lovran 520 A.

Na slikama 9.4 i 9.5 prikazane su efektivne vrijednosti faznih napona za iste uređaje relejne zaštite ugrađene u TS Buje na VP 110 kV Kopar i u TS Plomin na VP 110 kV Lovran neposredno prije energetskog raspada podsustava Istre. Valni oblici napona prate razvoj događaja opisan prilikom analize valnih oblika struja samo što se, za razliku od iznosa struja, iznosi napona smanjuju u trenutku poremećaja.



Slika 9.4 Efektivne vrijednosti faznih napona u TS Buje na VP 110 kV Kopar



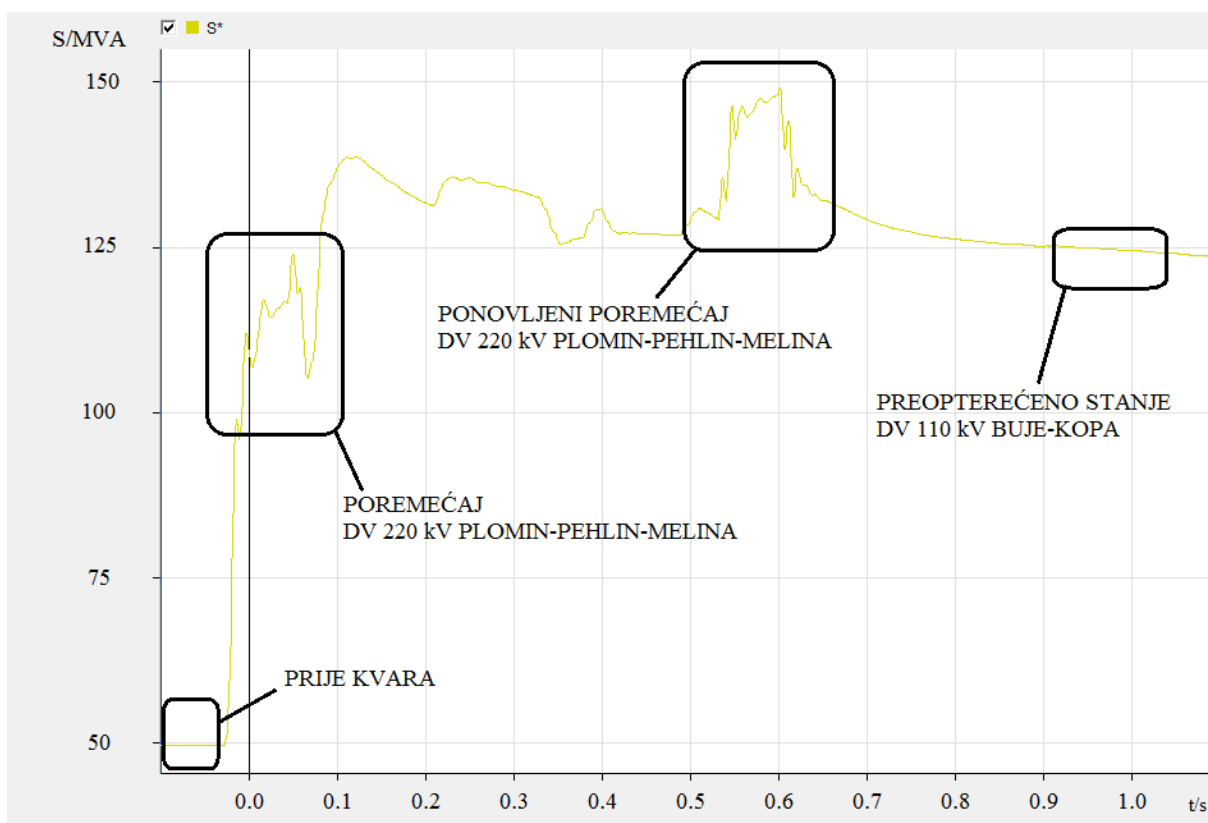
Slika 9.5 Efektivne vrijednosti faznih napona u TS Plomin na VP 110 kV Lovran

Nakon konačnog isključenja dvosustavnog DV 220 kV Plomin-Pehlin-Melina efektivna vrijednost faznog napona na 110 kV vodu Buje-Kopar iznosila je 59,5 kV, a na 110 kV vodu Plomin-Lovran 57 kV čime su naponske prilike u podsustavu Istre bile na donjim graničnim vrijednostima.

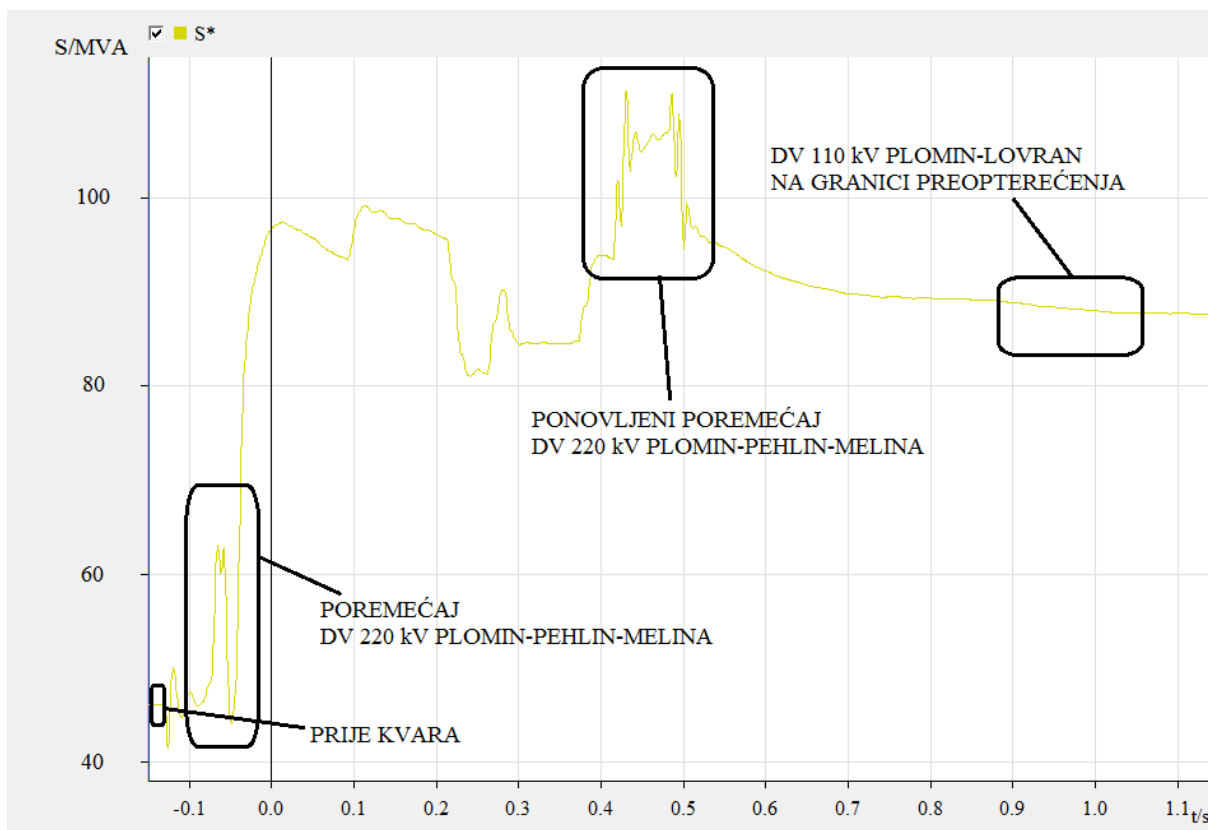
Na slikama 9.6 i 9.7 prikazani su valni oblici iznosa prividne snage uređaja relejne zaštite ugrađenih u TS Buje na VP 110 kV Kopar i u TS Plomin na VP 110 kV Lovran na kojima se također može jasno pratiti opisani razvoj događaja neposredno prije raspada podsustava Istre 2012. godine.

Zanimljivo je izdvojiti kako je prividno opterećenje prije poremećaja 110 kV voda Buje-Kopar iznosilo 49 MVA, a 110 kV voda Plomin-Lovran 46 MVA, dok je nakon poremećaja taj iznos porastao za 110 kV vod Buje-Kopar na 126 MVA, a za 110 kV vod Plomin-Lovran na 89 MVA. Navedeno preopterećenje za 110 kV vod Buje-Kopar iznosilo je 141,6 % od dozvoljenog opterećenja.

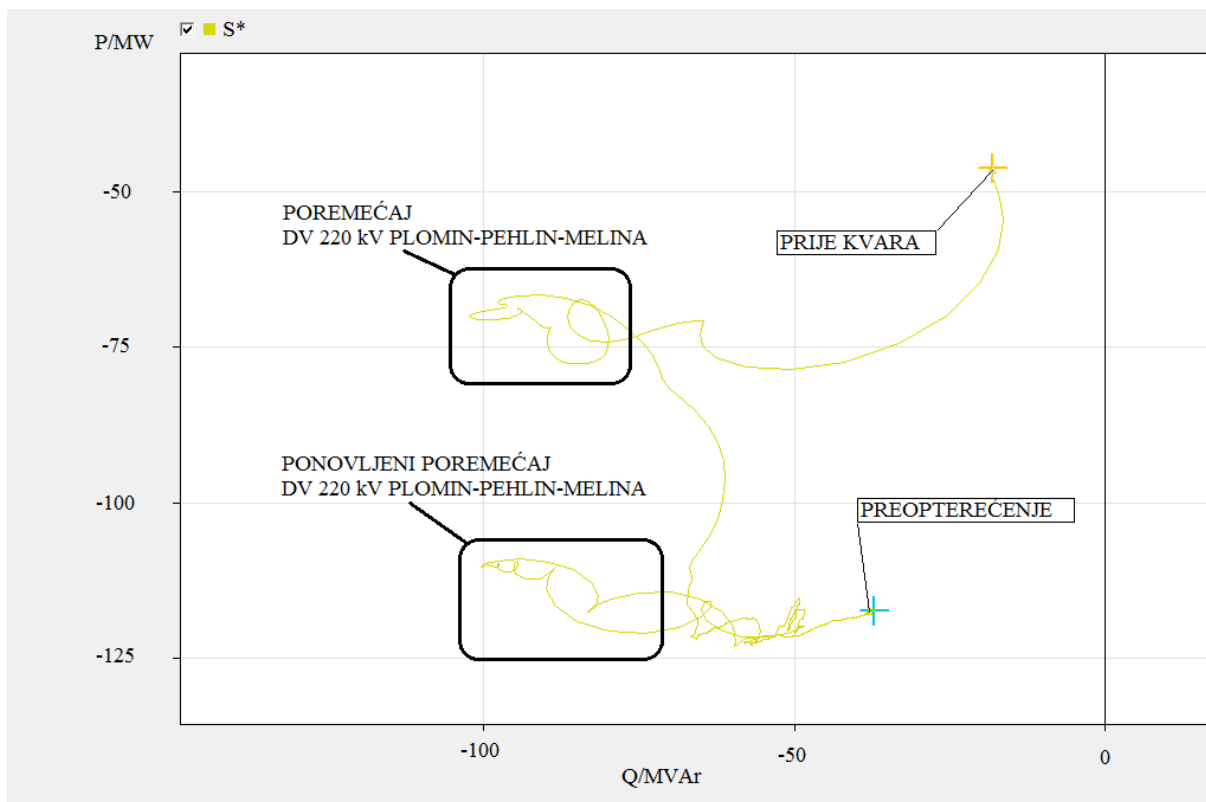
Na slikama 9.8 i 9.9 prikazani su P-Q dijagrami uređaja ugrađenih u TS Buje na VP 110 kV Kopar i u TS Plomin na VP 110 kV Lovran na kojima se također može jasno pratiti opisani razvoj događaja neposredno prije raspada podsustava Istre 2012. godine.



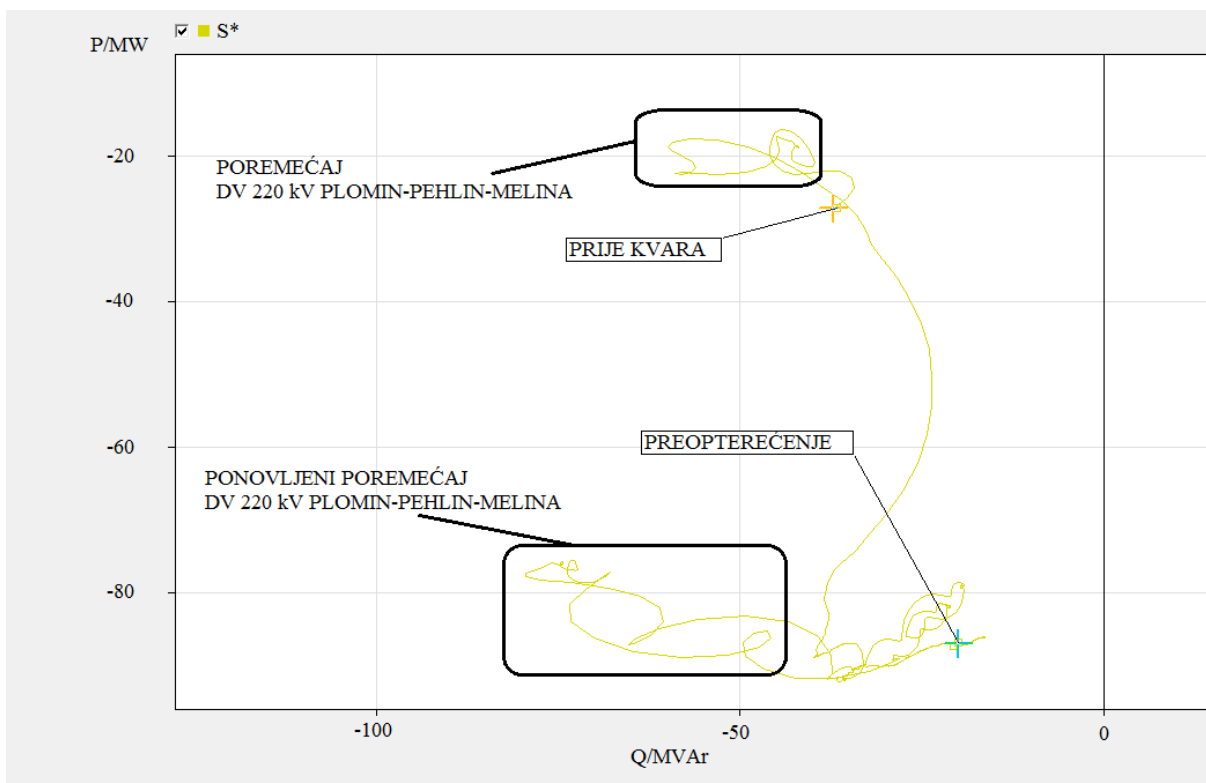
Slika 9.6 Prividna snaga u TS Buje na VP 110 kV Kopar



Slika 9.7 Prividna snaga u TS Plomin na VP 110 kV Lovran



Slika 9.8 P-Q dijagram u TS Buje na VP 110 kV Kobar



Slika 9.9 P-Q dijagram u TS Plomin na VP 110 kV Lovran

9.2. Opis analiziranog scenarija

Za potrebe primjene modela optimalnog rasterećenja, podsustav Istre modeliran je kao izmjenični model u alatu za analizu rada mreže prema slici 9.1. Analizirani scenarij definiran je:

- isključenim stanjem glavnog dobavnog pravca DV 220 kV Plomin – Pehlin – Melina,
- isključenim stanjem oba agregata TE Plomin,
- vršnim opterećenjima u sabirnicama definiranim u tablici 9.1.

Tablica 9.1 Iznosi tereta modeliranog podsustava Istre

Sabirnica	Ime	P (MW)	Q (Mvar)	S (MVA)
1	Matulji	0	0	0
2	Kopar	0	0	0
3	Lovran	13,1	3,4	13,53
4	Plomin 110 S1	0	0	0
5	Plomin 220	0	0	0
6	Plomin 110 S2	0	0	0
7	Raša	18,6	7,4	20,02
8	Koromačno	5,6	1,1	5,71
9	Dolinka	31,7	5,4	32,16
10	Šijana	46,0	4,2	46,19
11	T-spoj	0	0	0
12	Vincent	8,5	0,7	8,53
13	Rovinj	25,6	6,5	26,41
14	Funtana	21,7	4,8	22,22
15	Poreč	32,5	4,4	32,8
16	Katoro	12,2	2,9	12,54

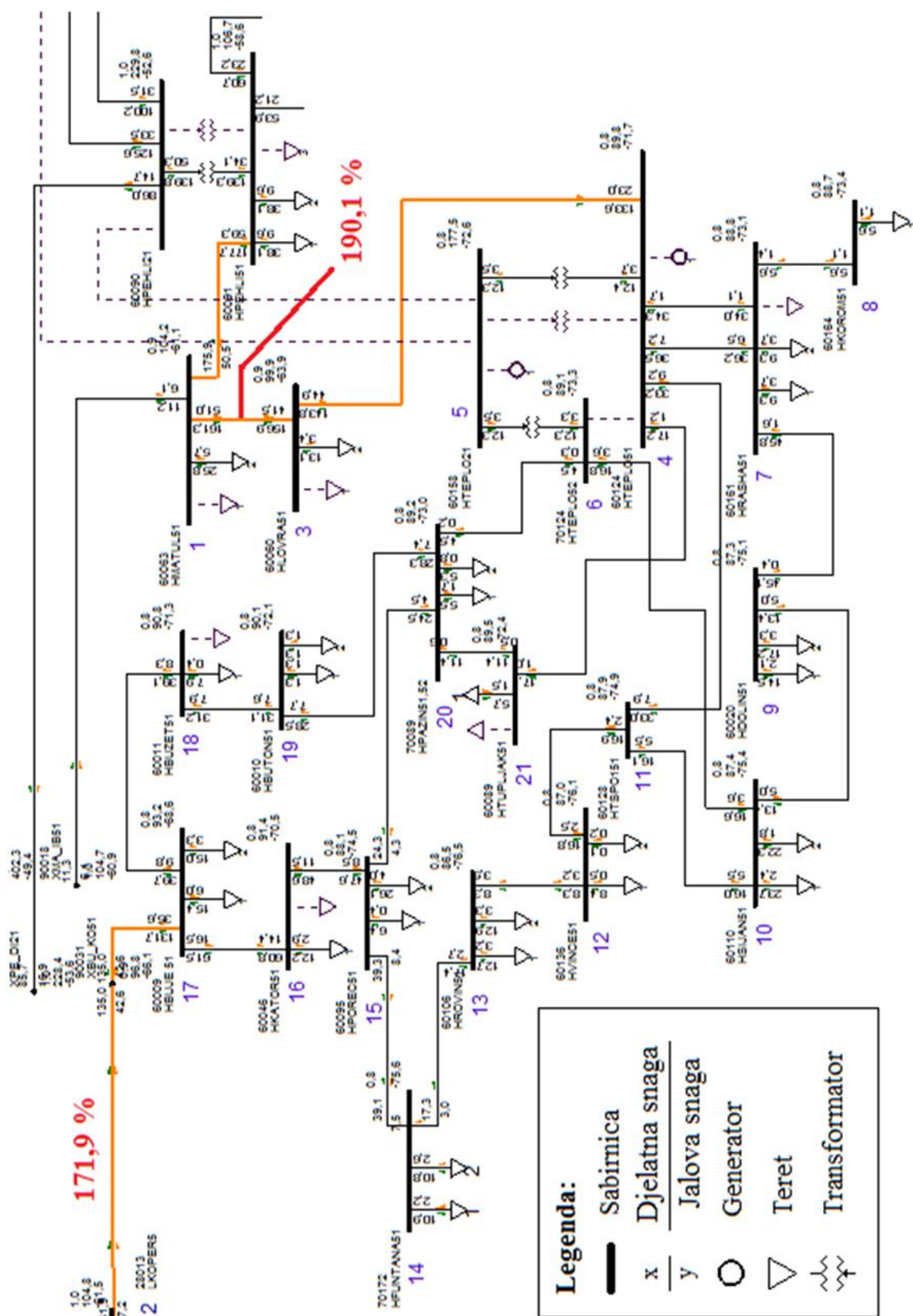
17	Buje	30,4	9,3	31,79
18	Buzet	7,9	0,4	7,91
19	Butoniga	2,6	0	2,6
20	Pazin	10,8	2,5	11,09
21	Tupljak	5,7	1,5	5,89
Ukupna prividna snaga (MVA)		279,39		

U analiziranom scenariju, podsustav Istre opskrbljen je preko dva dobavna pravca: DV 110 kV Matulji – Lovran i DV 110 kV Buje – Kopar. Matulji i Kopar odabrane su kao vanjske sabirnice. Sve ostale sabirnice unutar podsustava definirane su kao unutarnje. Kao referentna sabirnica izabrana je sabirnica Matulji. Ograničenje prijenosne moći dobavnih pravaca određeno je prema stvarnom stanju koje za oba voda iznosi 89 MVA prividne snage. Tablica 9.2 prikazuje rezultate proračuna tokova snaga za nelinearni izmjenični i za linearni istosmjerni model podsustava prije provođenja optimizacije.

Tablica 9.2 Rezultati proračuna tokova snaga prije optimizacije

Izmjenični model prije optimizacije					
Vod	P (MW)	Q (Mvar)	S (MVA)	Dozvoljeno (MVA)	%
Matulji-Lovran	161,3	51	169,2	89	190,1
Buje-Kopar	141,9	57,2	153	89	171,9
Istosmjerni model prije optimizacije					
Vod			P (MW)		
Matulji-Lovran			148,1		
Buje-Kopar			131,3		

Na slici 9.10 prikazan je proračun tokova snaga izmjeničnog modela prije optimizacije.



Slika 9.10 Proračun tokova snaga izmjeničnog modela prije izvođenja optimizacije

9.3. Izračun faktora prilagodbe $k_{Q-ISTRA}$

Prema tablici 9.2, proračunom tokova snaga istosmjernog modela tok djelatne snage na vodu Matulji – Lovran iznosi 148,1 MW, a na vodu Buje – Kopar 131,3 MW dok proračunom tokova snaga izmjeničnog modela prividna snaga na vodu Matulji – Lovran iznosi 169,2 MVA, a na vodu Buje – Kopar 153 MVA. Faktore prilagodbe k_Q za slučajeve preopterećenja vodova Matulji – Lovran i Buje – Kopar računamo prema sljedećim izrazima:

$$k_{Q\ 1-3} = \frac{P_{1-3DC}}{S_{1-3REAL}} = \frac{148,1\ MW}{169,2\ MVA} = 0,86 \frac{MW}{MVA} \quad (9.1)$$

$$k_{Q\ 2-17} = \frac{P_{2-17DC}}{S_{2-17REAL}} = \frac{131,3\ MW}{153\ MVA} = 0,86 \frac{MW}{MVA} \quad (9.2)$$

Faktor prilagodbe $k_{Q-ISTRA}$ u iznosu 0.86 MW/MVA je izabran kao ulazni podatak u optimizacijski algoritam rasterećenja u slučajevima preopterećenja vodova Matulji – Lovran i Buje – Kopar.

9.4. Izbor modela optimalnog rasterećenja NZS Istra

Model optimalnog rasterećenja, uzimajući u obzir ulazne podatke o iznosu proizvodnje i tereta u svakoj sabirnici, reaktancija vodova i transformatora zajedno s uklopnim stanjem mreže, donosi odluku kako je potrebno isključiti terete u sabirnicama 3, 8, 10, 14, 16, 18 i 20 ukupne prividne snage 119,19 MVA kako bi se ublažilo preopterećenje dobavnih pravaca Matulji – Lovran i Buje – Kopar. Opisano rješenje optimizacijskog algoritma definirano je u nastavku disertacije kao NZS Istra.

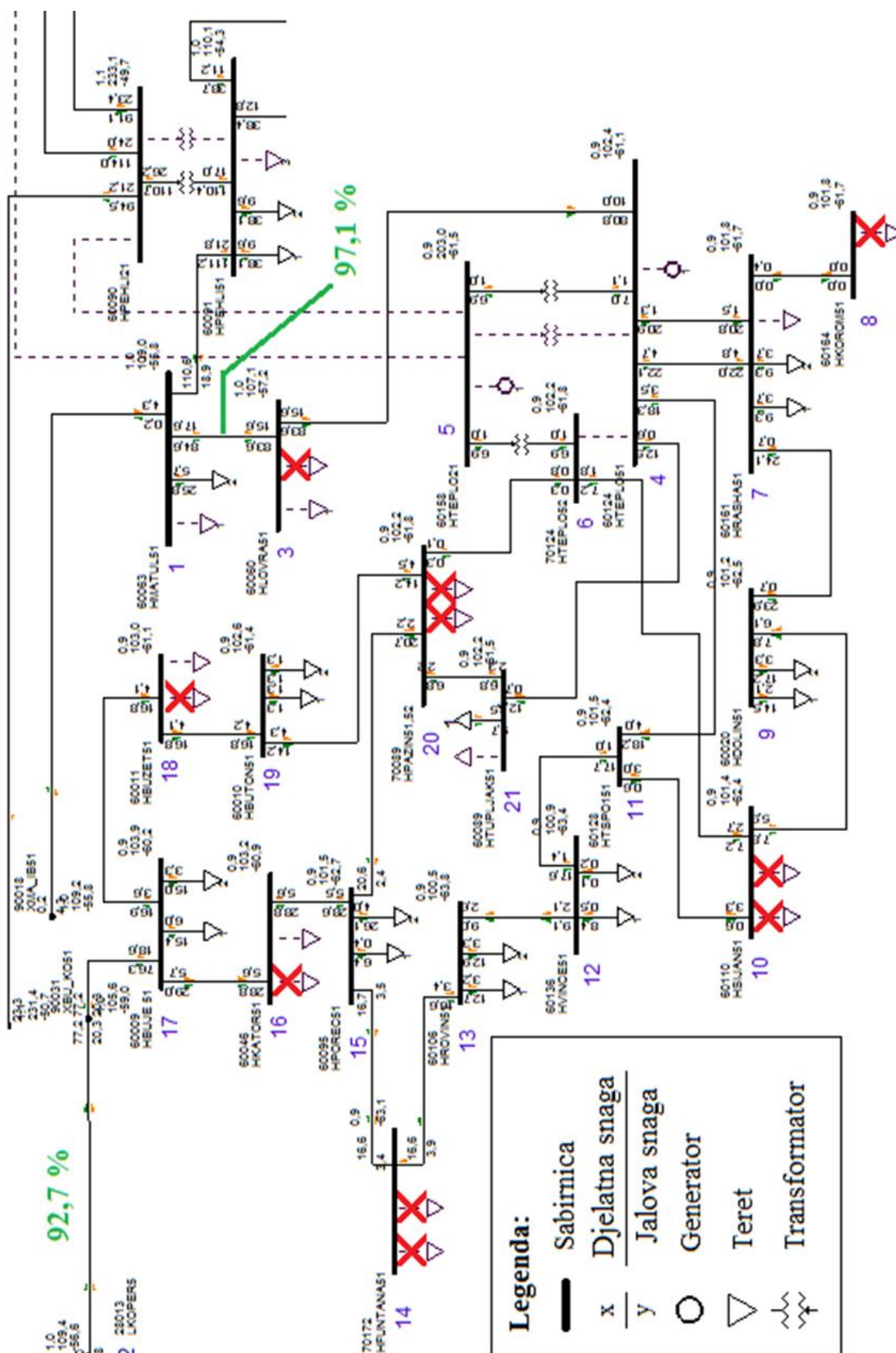
U tablici 9.3 prikazana je ukupna suma tereta prije i nakon optimizacije odnosno, kao njihova razlika, suma tereta koju je potrebno isključiti. Tablica 9.4 prikazuje rezultate optimizacije analiziranog scenarija, a tablica 9.5 prikazuje rezultate proračuna tokova snaga dobavnih vodova primjenom optimizacijskog algoritma NZS Istra. Rezultati ukazuju kako je postignuto uspješno ublažavanje preopterećenja i visoka iskoristivost prijenosne moći dobavnih pravaca Matulji – Lovran od 97,1 % i Buje – Kopar od 92,7 % (slika 9.11).

Tablica 9.3 Prikaz sume tereta koju je potrebno isključiti primjenom NZS Istra

Ukupna suma tereta prije optimizacije (MVA)	279,39
Ukupna suma tereta nakon optimizacije (MVA)	160,2
Ukupni teret koji je potrebno isključiti (MVA)	119,19

Tablica 9.4 Rezultati optimizacije analiziranog scenarija i definicija NZS Istra

Sabirnica	Ime	P (MW)	Q (Mvar)	S (MVA)	NZS Istra Optimalno rješenje uključenosti tereta 0 – potrebno isključiti, 1 – ostaviti uključeno
1	Matulji	0	0	0	0
2	Kopar	0	0	0	0
3	Lovran	13,1	3,4	13,53	0
4	Plomin 110 S1	0	0	0	0
5	Plomin 220	0	0	0	0
6	Plomin 110 S2	0	0	0	0
7	Raša	18,6	7,4	20,02	1
8	Koromačno	5,6	1,1	5,71	0
9	Dolinka	31,7	5,4	32,16	1
10	Šijana	46,0	4,2	46,19	0
11	T-spoj	0	0	0	0
12	Vincent	8,5	0,7	8,53	1
13	Rovinj	25,6	6,5	26,41	1
14	Funtana	21,7	4,8	22,22	0
15	Poreč	32,5	4,4	32,8	1
16	Katoro	12,2	2,9	12,54	0
17	Buje	30,4	9,3	31,79	1
18	Buzet	7,9	0,4	7,91	0
19	Butoniga	2,6	0	2,6	1
20	Pazin	10,8	2,5	11,09	0
21	Tupljak	5,7	1,5	5,89	1



Slika 9.11 Proračun tokova snaga izmjeničnog modela nakon izvođenja optimizacije

Tablica 9.5 Rezultati proračuna tokova snage nakon optimizacije

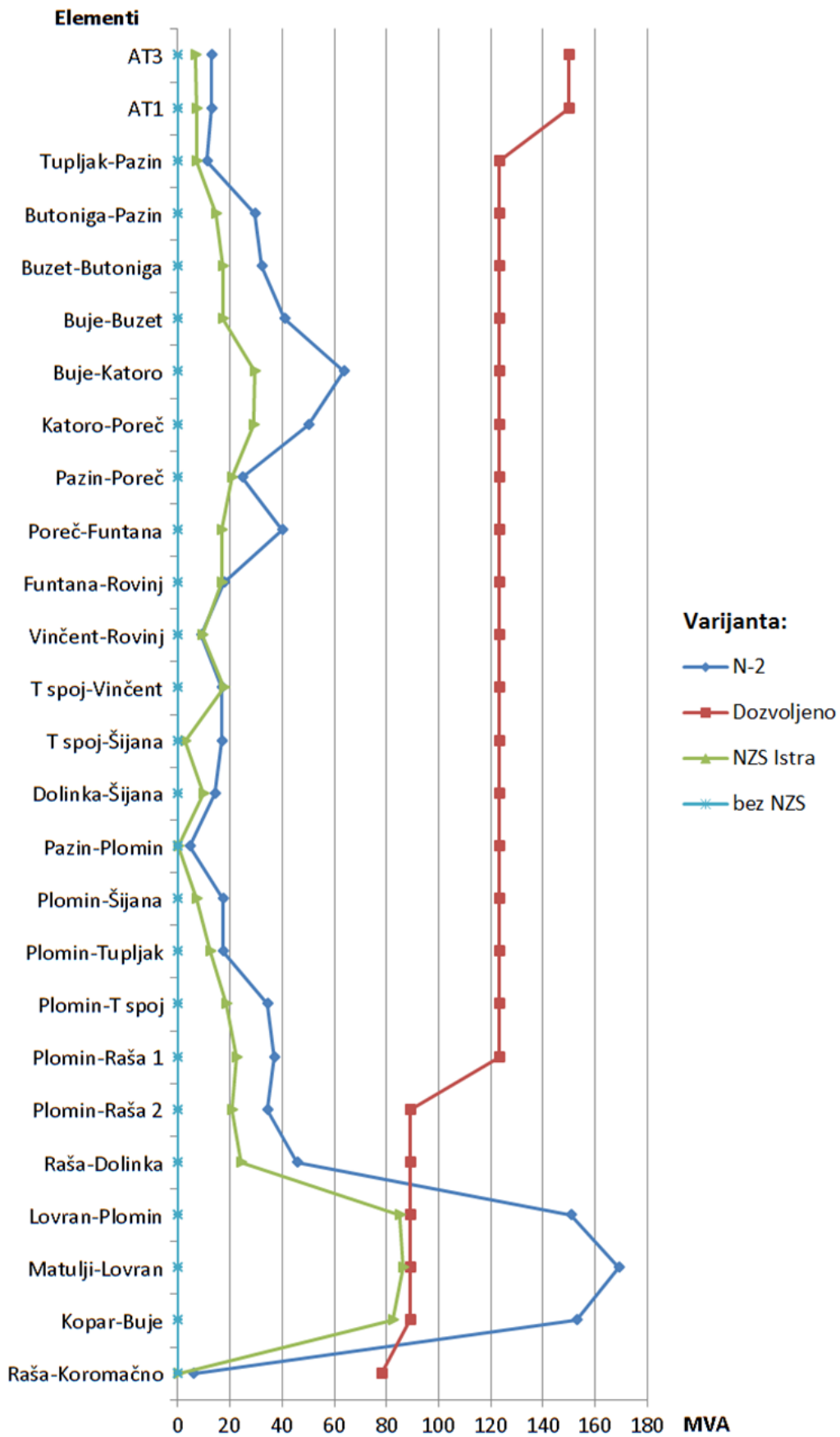
Tokovi snaga izmjeničnog modela nakon optimizacije					
Vod	P (MW)	Q (Mvar)	S (MVA)	Dozvoljeno (MVA)	%
Matulji-Lovran	84,6	17,6	86,4	89	97,1
Buje-Kopar	79,0	23,8	82,5	89	92,7

Ispravnost optimizacijskog algoritma rasterećenja provjerena je u programskom paketu za proračun tokova snaga. Izvedena je usporedba tokova snaga dobavnih vodova prije i nakon primjene optimizacijskog algoritma. Prilikom ispitivanja ispravnosti modela optimalnog rasterećenja na primjeru dijela EES-a Hrvatske podsustava Istre nisu primijenjene zabrane isključenja tereta pojedinih sabirnica. Dio rezultata istraživanja prikazan je u radu [51]. U daljnjem razvoju modela u suradnji s operatorom distribucijskog sustava potrebno je definirati kriterije odabira važnosti potrošača podsustava Istre prema kojima bi se odredili prioriteta opskrbe i zabrane isključenja tereta pojedinih sabirnica.

9.5. Procjena sigurnosti podsustava Istre korištenjem NZS Istra

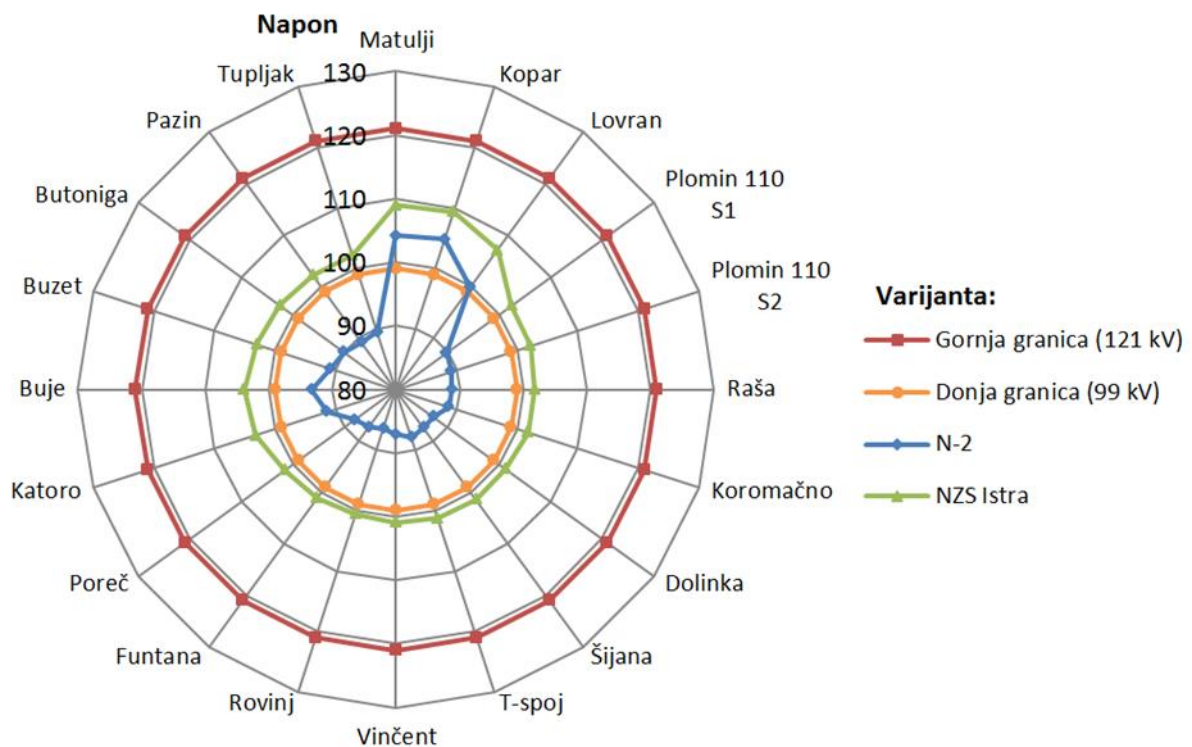
Procjena sigurnosti dijela EES-a Hrvatske podsustava Istre korištenjem NZS Istra sastoji se od usporedbe tokova snaga i naponskih prilika uključujući razinu potrošnje, razmjene i gubitaka za svaki pojedini slučaj.

Slika 9.12 crvenom bojom prikazuje dozvoljena opterećenja elemenata u promatranom dijelu EES-a Hrvatske podsustava Istre. N-2 analiza jasno prikazuje preopterećeno stanje 110 kV vodova Matulji-Lovran, Lovran-Plomin i Buje-Kopar. Na istoj slici prikazana je i raspodjela tokova snaga u slučaju korištenja predloženog modela optimalnog rasterećenja NZS Istra. Iz navedenog prikaza je jasno kako će se korištenjem NZS Istra opterećenja 110 kV vodova Matulji-Lovran, Lovran-Plomin i Buje-Kopar smanjiti unutar dozvoljenih granica. Bez korištenja NZS promatrani podsustav Istre doživio bi potpuni prekid opskrbe.



Slika 9.12 Usporedba prividne snage elemenata korištenjem NZS Istra

Slika 9.13 prikazuje usporedbu iznosa napona na sabirnicama podsustava Istre. Mrežnim pravilima prijenosnog sustava [44] utvrđeni su iznosi napona u normalnim pogonskim uvjetima koji se za 110 kV nazivni napon mogu kretati u granicama od 121 do 99 kV. Vidljivo je kako su iznosi napona ispod dozvoljene granice za analizirani slučaj isključenog stanja DV 220 kV Plomin – Pehlin – Melina i oba agregata TE Plomin koji je na slici označen kao varijanta N-2. Upotrebom predloženog modela optimalnog rasterećenja NZS Istra iznosi napona mogu se vratiti unutar propisanih granica i postići naponska sigurnost podsustava Istre.

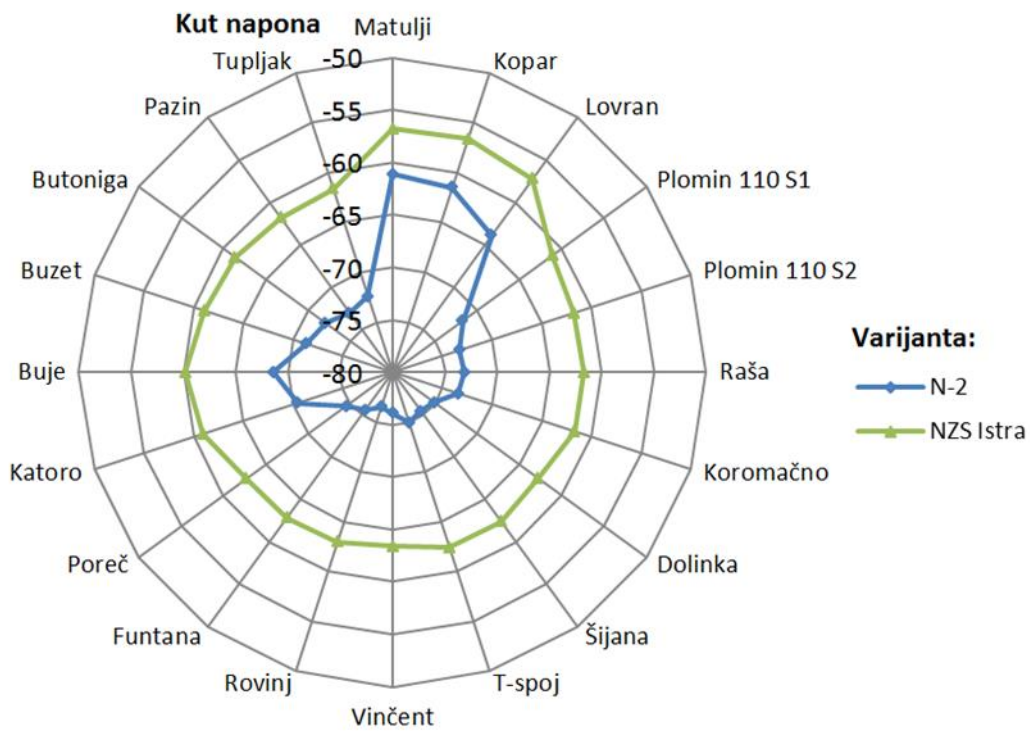


Slika 9.13 Usporedba iznosa napona sabirnica korištenjem NZS Istra

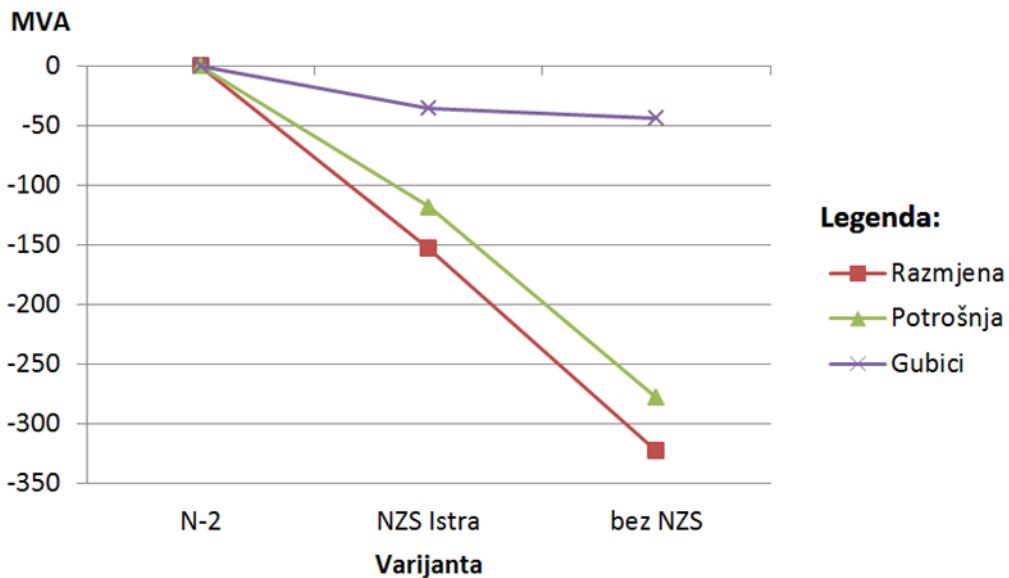
Slika 9.14 prikazuje usporedbu kutova napona na sabirnicama podsustava Istre. Jasno je prikazano kako upotreba predloženog modela optimalnog rasterećenja NZS Istra mijenja naponske prilike u odnosu na N-2 stanje na način da se kutovi napona između sabirnica generalno smanjuju i ne narušavaju sigurnost sustava.

Slika 9.15 prikazuje kako se primjenom NZS Istra smanjuje ukupna potrošnje podsustava Istre u odnosu na N-2 stanje, a posljedično i iznos razmjene prema okolnom EES-u Hrvatske i Slovenije što u konačnici rezultira ublažavanjem preopterećenja na 110 kV vodovima Matulji-Lovran, Lovran-Plomin i Buje-Kopar. Sve provedene analize ukazuju kako

upotreba predloženog modela NZS Istra rezultira zadovoljavajućim sigurnosnim kriterijima po pitanju tokova snaga i naponskih prilika.



Slika 9.14 Usporedba kutova napona sabirnica korištenjem NZS Istra



Slika 9.15 Razlika proizvodnje, potrošnje i gubitaka korištenjem NZS Istra

10. ZAKLJUČAK

Napredna prijenosna elektroenergetska mreže zamišljena je kao mreža koja će putem NZS-a omogućiti održavanje sigurnosti EES-a u sve nesigurnijim uvjetima njegova vođenja. NZS-e nisu zamišljene kao tehnologija koja će zamijeniti konvencionalne lokalne sustave relejne zaštite nego kao tehnologija koja će ih nadograditi. Djelovale bi u početnim fazama razvoja poremećaja nakon djelovanja konvencionalnih lokalnih sustava relejne zaštite. Prepoznale bi promjene u mreži koje su nastale djelovanjem lokalnih sustava relejne zaštite i po potrebi ukazale na potencijalne probleme u mreži. U slučaju brzog razvoja poremećaja zadaće bi im bile sačuvati cjelovitost sustava pokretanjem naprednih modela djelovanja. Naravno da bi potpuna funkcionalnost napredne prijenosne elektroenergetske mreže bila izuzetno koordinirana i odmjerena kako bi se smanjio rizik od nepotrebnih pokretanja NZS-a.

Ostvareni su sljedeći izvorni znanstveni doprinosi:

- razvijena je metoda za izradu NZS-a prijenosne elektroenergetske mreže zasnovana na sinkroniziranim mjerenjima fazora na temelju procjene sigurnosti koja opisuje osnovnu podjelu NZS-a, a može se koristiti kao univerzalna metoda kod izrade različitih vrsta NZS-a,
- izrađeni su modeli za promjenu topologije mreže zasnovani na sinkroniziranim mjerenjima fazora s ciljem očuvanja sigurnosti koji se temelje na razdvajanju sustava sabirnica kako bi se ublažilo nastalo preopterećenje, a pritom ne utječu na postojeću razinu proizvodnje i potrošnje EES-a,
- napisan je programski algoritam za primjenu naprednih zaštitnih shema prijenosne elektroenergetske mreže koji se temelji na dvostrukoj provjeri ispunjavanja kriterija pokretanja međusobno odvojenih izvršavanjem vremenske odgode,
- kao NZS-a koja utječe na postojeću razinu proizvodnje i potrošnje EES-a izrađen je model optimalnog rasterećenja zasnovan na sinkroniziranim mjerenjima fazora i istosmjernom modelu mreže gdje se primjenom faktora prilagodbe, koji se računa u stvarnom vremenu, nadomješta zanemarivanje tokova jalove snage istosmjernog modela.

Početni ciljevi istraživanja i razvoja NZS-a zasnovanih na sinkroniziranim mjerenjima fazora bili su brzina i jednostavnost izvedbe. Buduća istraživanja mogu se provoditi u smjeru razvoja naprednog podfrekvencijskog ili podnaponskog rasterećenja koji u

stvarnom vremenu nadzire uključenost različitih sudionika na sustavu te naprednim načinom određuje koji sudionici doprinose, a koji odmažu sigurnosti sustavu u slučaju poremećaja. Još jedna od smjernica za buduća istraživanja je i primjena zaštitnih shema zasnovanih na sinkroniziranim mjerenjima fazora sa stvarnim djelovanjem na prijenosnu elektroenergetsku mrežu gdje znanstvena zajednica intenzivno radi na donošenju novih standarda po pitanju slanja upravljačkih naloga iz centralnog računala prema postrojenju.

Do sada se tehnologija sinkroniziranih mjerenja fazora koristila uglavnom pri validaciji modela sustava, naknadnoj analizi događaja, prikazivanju mjerenja u stvarnom vremenu i ostalim sličnim aktivnostima. No, činjenica je kako sinkronizirani fazori imaju veći potencijal od vizualizacije ili nadzora rada sustava. Tehnologija sinkroniziranih mjerenja fazora će u budućnosti uvelike pridonijeti pouzdanom i ekonomičnom radu EES-a kada se počnu koristiti upravljačke i zaštitne sheme cjelovitosti sustava. Danas je tehnologija sinkroniziranih mjerenja fazora dostupna i u sklopu uređaja relejne zaštite no praktična primjena navedene tehnologije u stvarnom vremenu još uvijek nedostaje.

LITERATURA

- [1] Zelenika, R., „Metodologija i tehnologija izrade znanstvenog i stručnog djela“, Ekonomski fakultet u Rijeci, Rijeka, 2000.
- [2] Filipović-Grčić, B., „Model podnaponskog rasterećenja elektroenergetskog sustava“, doktorski rad, Fakultet elektrotehnike i računarstva, Zagreb, 2007.
- [3] Zbunjak, Z., Frlan, K., Skok, S., „Napredna sistemska zaštita od preopterećenja u dijelu mreže prijenosnog područja Rijeka“, 11. savjetovanje HRO CIGRE, Cavtat, 2013.
- [4] Lovrić, M., „Pametno vođenje elektroenergetskog sustava“, HEP Vjesnik, broj 256/296, svibanj 2012.
- [5] Zbunjak, Z., Kuzle, I., „Possible savings in electricity transmission using wide area monitoring technologies in Croatian power transmission network“, 8th international conference on the European Energy Market, Zagreb, Croatia, 2011.
- [6] Phadke, A.G., Thorp, J.S., „Synchronized Phasor Measurements and Their Applications“, Springer, New York, 2008.
- [7] Wikipedia, „List of major power outages“, dostupno na: http://en.wikipedia.org/wiki/List_of_major_power_outages (16. travnja 2019.)
- [8] Skok, S., Ivanković, I., Zbunjak, Z., „Two Layer Hydropower Plant Dynamic Mathematical Modelling Using Synchronized Measurements“, International Journal of Electrical Power & Energy Systems, Vol. 103, 2018, str. 302-309.
- [9] Terzija, V., Valverde, G., Cai, D., Regulski, P., Madani, V., Fitch, J., Skok, S., Begovic, M., Phadke, A., „Wide Area Monitoring, Protection and Control of Future Electric Power Networks“, Proceedings of the IEEE, Vol. 99, No. 1, 2011, str. 80-93.
- [10] Skok, S., Frlan, K., Zbunjak, Z., „Nadzor i vođenje rada vjetroelektrane s okolnim elektroenergetskim sustavom na osnovi sinkroniziranih mjerenja fazora“, 10. savjetovanje HRO CIGRE, Cavtat, 2011.
- [11] Madani, V., Novosel, D., Begovic, M., Adamiak, M., „Application Considerations in System Integrity Protection Schemes (SIPS)“, dostupno na: <https://www.semanticscholar.org/> (16. travnja 2019.)

- [12] Anderson, P.M., LeReverend, B.K., „Industry Experience with Special Protection Schemes“, IEEE Transactions on Power Systems, Vol. 11, No. 3, 1996., str. 1166-1179.
- [13] Elizondo de la Garza, D.C., „Hidden Failures in Protection Systems and its Impact on Power System Wide-area Disturbances“, magistarski rad, Blacksburg, Virginia, 2000.
- [14] Madani, V., Novosel, D., Horowitz, S., Adamiak, M., Amantegui, J., Karlsson, D., Imai, S., Apostolov, A., „IEEE PSRC report on global industry experiences with system integrity protection schemes (SIPS)“, IEEE Transactions on Power Delivery, Vol. 25, No. 4, 2010, str. 2143-2155.
- [15] Agrawal, V.K., Porwal, R.K., Kumar, R., Pandey, V., Muthukumar, T., „Deployment of System Protection Schemes for enhancing reliability of power system: Operational experience of wide area SPS in Northern Regional Power System in India“, International Conference on Power and Energy Systems, Chennai, India, 2011.
- [16] Sykes, J., Adamiak, M., Brunello, G., „Implementation and Operational Experience of a Wide Area Special Protection Scheme on the SRP System“, Power Systems Conference: Advanced Metering, Protection, Control, Communication, and Distributed Resources, Clemson, SC, USA, 2006.
- [17] Strong, D., Green, M., „Development and Implementation of System Protection Schemes, Report to Electricity Commission“, David Strong & Associates, Wellington, New Zealand, 2009.
- [18] Hillberg, E., Trengereid, F., Breidablik, Ø., Uhlen, K., Kjølle, G., Løvlund, S., Gjerde, J.O., „System Integrity Protection Schemes – Increasing Operational Security and System Capacity“, CIGRE Session, Paris, France, 2012.
- [19] Ivanković, I., Brnobić, D., Rubeša, R., Zbunjak, Z., Grudenić, V., „Analyses of phasor measurement unit estimation algorithms for protection functions inside WAMPAC system“, First International Colloquium on Smart Grid Metrology, Split, Croatia, 2018.

- [20] Zbunjak, Z., Kuzle, I., „Advanced Control and System Integrity Protection Schemes of Croatian Power Transmission Network with Integrated Renewable Energy Sources“, Eurocon, Zagreb, Croatia, 2013.
- [21] Skok, S., Frlan, K., Zbunjak, Z., Brnobić, D., „Korištenje sinkroniziranih mjerenja u cilju podešenja funkcije provjere sinkronizma“, 13. simpozij o sustavu vođenja EES-a, Rovinj, 2018.
- [22] Steinmetz, C.P., „Complex Quantities and Their Use in Electrical Engineering“, AIEE International Electrical Congress, Chicago, 1893., str. 33-74.
- [23] Phadke, A.G., Ibrahim, M., Hlibka, T., „Fundamental basis for distance relaying with symmetrical components“, IEEE Transactions on Power Apparatus and Systems, Vol. 96, No. 2, 1977, str. 635-646.
- [24] IEEE 1344-1995, „IEEE Standard for Synchrophasors for Power Systems“, 1995.
- [25] IEEE C37.118-2005, „IEEE Standard for Synchrophasors for Power Systems“, 2005.
- [26] IEEE C37.118.1-2011, „IEEE Standard for Synchrophasor Measurements for Power Systems“, 2011.
- [27] IEEE C37.118.2-2011, „IEEE Standard for Synchrophasor Data Transfer for Power Systems“, 2011.
- [28] IEEE 60255-118-1-2018, „IEEE/IEC International Standard - Measuring relays and protection equipment - Part 118-1: Synchrophasor for power systems – Measurements“, 2018.
- [29] Skok, S., Ivankovic, I., Frlan, K., Zbunjak, Z., „Monitoring and control of smart transmission grid based on synchronized measurements“, International Conference on Advanced Power System Automation and Protection, Beijing, China, 2011.
- [30] Skok, S., Šturlić, I., Rubeša, R., Zbunjak Z., Frlan K., „Centralni kontroler za nadzor i automatsko vođenje prijenosnog elektroenergetskog sustava“, 11. simpozij o sustavu vođenja EES-a, Opatija, 2014.

- [31] Brnobić, D., Frlan, K., Ivanković, I., Zbunjak, Z., „Uređaj za mjerenje sinkroniziranih fazora tipa STERPMU R-1“, 12. simpozij o sustavu vođenja EES-a, Split, 2016.
- [32] Frlan, K., Pavić, I., Zbunjak, Z., Tomašević, F., Sokolić, L., „Analiza pogona mrežnog transformatora 220/110 kV u HE Senj s uzdužnom i kosom regulacijom“, 13. savjetovanje HRO CIGRE, Šibenik, 2017.
- [33] Karlsson, D., „System Protection Schemes in Power Network based on New Principles“, dostupno na: <https://new.abb.com> (16. travnja 2019.)
- [34] Zbunjak, Z., Kuzle, I., „SIPS development method and busbar splitting scheme supported by PMU technology“, 11th Mediterranean Conference on Power Generation, Transmission, Distribution and Energy Conversion, Cavtat, Croatia, 2018.
- [35] Ožegović, M., Ožegović, K., „Električne energetske mreže“, FESB, Split, 1999.
- [36] University of Washington, „Power Systems Test Case Archive“, dostupno na: http://www.ee.washington.edu/research/pstca/pf14/pg_tca14bus.htm (16. travnja 2019.)
- [37] Shahriar, M.S., Habiballah, I.O., Hussein, H., „Optimization of Phasor Measurement Unit (PMU) Placement in Supervisory Control and Data Acquisition (SCADA)-Based Power System for Better State-Estimation Performance“, *Energies*, Vol. 11, No. 3, 2018, str. 570.
- [38] Ali, Z.M., Razavi, S.E., Javadi, M.S., Gandoman, F.H., Aleem, S.H.E.A., „Dual Enhancement of Power System Monitoring: Improved Probabilistic Multi-Stage PMU Placement with an Increased Search Space & Mathematical Linear Expansion to Consider Zero-Injection Bus“, *Energies*, Vol. 11, No. 6, 2018, str. 1429.
- [39] Nuqui, R.F., Phadke, A.G., „Phasor measurement unit placement techniques for complete and incomplete observability“, *IEEE Transactions on Power Delivery*, Vol. 20, No. 4, 2005, str. 2381-2388.
- [40] Pal, A., Sanchez-Ayala, G.A., Centeno, V.A., Thorp, J.S., „A PMU placement scheme ensuring real-time monitoring of critical buses of the network“, *IEEE Transactions on Power Delivery*, Vol. 29, No. 2, 2014, 510-517.

- [41] Skok, S., Rubeša, R., Kirinčić, V., Frlan, K., Zbunjak, Z., „Dinamička analiza pogona dijela elektroenergetskog sustava prijenosnog područja Rijeka obzirom na rad VE Vrataruša“, 9. simpozij o sustavu vođenja EES-a, Zadar, 2010.
- [42] Zbunjak, Z., Bašić, H., Pandžić, H., Kuzle, I., „Phase Shifting Autotransformer, Transmission Switching and Battery Energy Storage Systems to Ensure N-1 Criterion of Stability“, 12th Conference on Sustainable Development of Energy, Water and Environment Systems, Dubrovnik, Croatia, 2017.
- [43] Studio elektronike Rijeka, „WAMSTER - Ad hoc synchrophasor measurement network“, dostupno na: <http://www.wamster.net> (16. travnja 2019.)
- [44] Hrvatski operator prijenosnog sustava, „Mrežna pravila prijenosnog sustava“, NN 67/2017
- [45] Zbunjak, Z., Kuzle, I., „System Integrity Protection Scheme (SIPS) Development and an Optimal Bus-Splitting Scheme Supported by Phasor Measurement Units (PMUs)“, *Energies*, Vol. 12, No. 17, 2019, str. 3404.
- [46] Purchala, K., „Modelling and analysis of techno-economic interactions in meshed high voltage grids exhibiting congestion“ doktorski rad, University of Leuven, Belgija, 2005.
- [47] Zbunjak, Z., Kuzle, I., Mađar, D., „Overload Mitigation SIPS Based on DC Model Optimization and PMU Technology“, *Tehnički vjesnik*, Vol. 27, No. 1, Accepted for publishing on August-29 2019
- [48] Kotorac, D., Zbunjak, Z., Valentić, V., Sokolić, L., Šumberac, B., „Analiza mogućnosti primjene naprednog vođenja prijenosnog sustava na elektroenergetskom podsustavu Istre“, 11. savjetovanje HRO CIGRE, Cavtat, 2013.
- [49] Skok, S., Frlan, K., Kirinčić, V., Kotorac, D., Mikac, E., Zbunjak, Z., „Napredno vođenje i zaštita dijela prijenosnog elektroenergetskog sustava Prijenosnog područja Rijeka-podsustav Istre“, 12. Savjetovanje HRO CIGRE, Šibenik, 2015.
- [50] Kotorac, D., Andrić, A., Frlan, K., Sokolić, L., Zbunjak, Z., „Aktivnosti za sprječavanje raspada EES-a na području Istre“, 12. simpozij o sustavu vođenja EES-a, Split, 2016.

- [51] Mađar, D., Jerčinović, D., Jeletić, A., Zbunjak, Z., Frlan, K., „Prijedlog algoritma za hitno rasterećenje konzuma elektroenergetskog podsustava Istre u uvjetima ugroženog normalnog pogona“, 13. simpozij o sustavu vođenja EES-a, Rovinj, 2018.

KAZALO POJMOVA

A/D	Analogno digitalna pretvorba
AT	Autotransformator
CIGRE	Međunarodno vijeće za velike elektroenergetske sustave (fra. <i>Conseil International des Grands Réseaux Électriques</i>)
CPU	Procesor (eng. <i>Central Processing Unit</i>)
DI	Digitalni ulazi (eng. <i>Digital Inputs</i>)
DO	Digitalni izlazi (eng. <i>Digital Outputs</i>)
DV	Dalekovod
EES	Elektroenergetski sustav
EMS	Sustav za nadzor i vođenje EES-a (eng. <i>Energy Management System</i>)
GOOSE	informacijska poruka opisana u standardu IEC 61850 (eng. <i>Generic Object Oriented Substation Event</i>)
GPRS	Bežična podatkovna komunikacijska usluga druge generacije (eng. <i>General Packet Radio Service</i>)
GPS	Globalni sustav pozicioniranja (eng. <i>Global Positioning System</i>)
HE	Hidroelektrana
HOPS	Hrvatski operator prijenosnog sustava
ICT	Informacijsko komunikacijske tehnologije (eng. <i>Information and Communication Technology</i>)
IEC	Međunarodni odbor za elektrotehniku (eng. <i>International Electrotechnical Commission</i>)
IEEE	Institut inženjera elektrotehnike i elektronike (eng. <i>Institute of Electrical and Electronics Engineers</i>)
LCD	Ekran temeljen na tehnologiji tekućih kristala (eng. <i>Liquid Crystal Display</i>)
MILP	Mješovito cjelobrojno linearno programiranje (eng. <i>Mixed Integer Linear Programming</i>)

N-1	Kriterij sigurnosti u radu EES-a
NZS	Napredna zaštitna shema
PDC	Računalo za prikupljanje sinkroniziranih fazora (eng. <i>Phasor Data Concentrator</i>)
PMU	Uređaj za sinkronizirano mjerenje fazora (eng. <i>Phasor Measurement Unit</i>)
PSS/E	Programski paket za analizu rada EES-a
RAS	Sheme brze pomoći (eng. <i>Remedial Action Schemes</i>)
ROCOF	Brzina promjene frekvencije (eng. <i>Rate of Change of Frequency</i>)
RS232	Standard za serijsku komunikaciju
SCADA	Sustav za nadzor i prikupljanje podataka (eng. <i>Supervisory Control And Data Acquisition</i>)
SIPS	Sheme zaštite cjelovitosti sustava (eng. <i>System Integrity Protection Schemes</i>)
SPS	Posebne zaštitne sheme (eng. <i>Special Protection Schemes</i>)
TE	Termoelektrana
TK	Telekomunikacije
TS	Transformatorska stanica
UMTS	Bežična podatkovna komunikacijska usluga treće generacije (eng. <i>Universal Mobile Telecommunications System</i>)
USB	Tehnološko rješenje za komunikaciju računala s vanjskim uređajima (eng. <i>Universal Serial Bus</i>)
VE	Vjetroelektrana
WAM	Nadzor šireg dijela EES-a (eng. <i>Wide Area Monitoring</i>)
WAMPAC	Nadzor, zaštita i upravljanje šireg dijela EES-a (eng. <i>Wide Area Monitoring, Protection and Control</i>)
WECC	Zapadno koordinacijsko vijeće za električnu energiju (eng. <i>Western Electricity Coordinating Council</i>)

POPIS OZNAKA

$\partial f / \partial x _0$	Parcijalna derivacija funkcije f po varijabli x pri zadanim početnim vrijednostima
$\partial f / \partial x$	Parcijalna derivacija funkcije f po varijabli x
$ V $	Apsolutna vrijednost jediničnog napona
A	Amplituda
A_i	Zamjenska varijabla kod proračuna tokova snaga korištenjem Gauss-Seidel metode prema izrazu (4.20)
a_{kk}	Koeficijenti uz nepoznanice algebarskih jednadžbi
B_{ij}	Susceptancija elemenata između čvorišta i i j
B_{im}	Zamjenska varijabla kod proračuna tokova snaga korištenjem Gauss-Seidel metode prema izrazu (4.21)
e	Oznaka elementa
E	Ukupan broj elemenata
F	Fazor
f	Frekvencija
$f(t)$	Sinusna funkcija
g_l	Funkcija viših derivacija f_1 i umnožaka $\Delta x_1, \Delta x_2, \dots, \Delta x_n$ kod raspisivanja Taylorovog reda
G_i	Djelatna snaga proizvedena u čvorištu i
G_{ij}	Vodljivost elemenata između čvorišta i i j
I	Matrica struja čvorišta mreže
i, j	Oznake čvorišta
I_i	Struja i -tog čvorišta
i_{mn}	Struja od čvorišta m prema čvorištu n
I_t	Dozvoljeno strujno opterećenje

J	Jacobijeva matrica
$J_{P V}$	Podmatrica parcijalnih derivacija djelatne snage u sabirnicama po iznosima napona,
$J_{P\delta}$	Podmatrica parcijalnih derivacija djelatne snage u sabirnicama po kutovima napona
$J_{Q V}$	Podmatrica parcijalnih derivacija jalove snage u sabirnicama po iznosima napona.
$J_{Q\delta}$	Podmatrica parcijalnih derivacija jalove snage u sabirnicama po kutovima napona,
K	Matrica rješenja algebarskih jednadžbi
k_1, \dots, k_n	Konstante algebarskih jednadžbi
k_{Pe}	Faktor prilagodbe za element e
k_Q	Faktor prilagodbe
k_{Q-IEEE}	Faktor prilagodbe za IEEE ispitni sustav s 14 sabirnica
$k_{Q-ISTRA}$	Faktor prilagodbe za podsustav Istre
k_s	Faktor sigurnosti
L_i	Djelatna snaga tereta priključenog u čvorištu i
M_e	faktor linearizacije elementa e
N	Broj čvorišta
N_1	Broj sabirnica snage
N_2	Broj sabirnica s kontrolom napona
P	Djelatna snaga
$P(\delta, V)$	Matrica djelatnih snaga
P^0	Vektor početno zadanih djelatnih snaga
P_{DCe}	Proračunati tok djelatne snage elementa e na temelju istosmjernog modela
P_{DCij}	Proračunati tok djelatne snage od čvorišta i prema čvorištu j na temelju istosmjernog modela

P_e	Tok djelatne snage elementa e
PG_i	Proizvedena djelatna snaga u i -tom čvorištu
P_i	Djelatna snaga u i -tom čvorištu
P_i^0	Početno zadana djelatna snaga u i -tom čvorištu
P_{ij}, P_{mn}	Tok djelatne snage od čvorišta i prema čvorištu j , odnosno od čvorišta m prema čvorištu n
PL_i	Potrošena djelatna snaga u i -tom čvorištu
P_{REALe}	Stvarno izmjerena djelatna snaga elementa e korištenjem sinkroniziranih mjerenja fazora
$PRIOR_i$	Kriterij prioriteta opskrbe u čvorištu i
Q	Jalova snaga
$Q(\delta, V)$	Matrica jalovih snaga
Q^0	Vektor početno zadanih jalovih snaga
QG_i	Proizvedena jalova snaga u i -tom čvorištu
Q_i	Jalova snaga u i -tom čvorištu
Q_i^0	Početno zadana jalova snaga u i -tom čvorištu
QL_i	Potrošena jalova snaga u i -tom čvorištu
Q_{mn}	Tok jalove snage od čvorišta m prema čvorištu n
R_L	Otpor voda
s	Čvorište definirano kao sabirnica regulacijske elektrane
S	Prividna snaga
SG_i	Proizvedena prividna snaga u i -tom čvorištu
S_i	Prividna snaga u i -tom čvorištu
SL_i	Potrošena prividna snaga u i -tom čvorištu
S_{MAXe}	Najveće dozvoljeno prividno opterećenje između čvorišta i i j
S_{MAXij}	Najveće dozvoljeno prividno opterećenje elementa e
S_{m-n}	Gubici snage na elementu koji povezuje čvorišta m i n

S_{REALij}	Stvarno izmjerena prividna snaga preopterećenog elementa od čvorišta i prema čvorištu j
S_t	Dozvoljena prividna snaga
T	Vrijeme periode
T_{ij}	Uključenost elemenata između čvorišta i i j
T_{KORAK}	Vremenska točnost algoritma
T_{ODGODA}	Vremenska odgoda algoritma
V	Matrica napona čvorišta mreže
$VARE_i$	Varijabla odlučivanja o uključenosti elemenata e između čvorišta i i j
$VARL_i$	Varijabla odlučivanja o rasterećenju čvorišta i
V_i, V_m, V_n	Napon i -tog, j -tog odnosno m -tog čvorišta
V_i^h	Napon i -tog čvorišta u h -toj iteraciji
V_i^{h+1}	Napon i -tog čvorišta u $h+1$ -toj iteraciji
X	Matrica nepoznanica
x_1, \dots, x_n	Nepoznanice algebarskih jednadžbi
X_e	Reaktancija elementa e
X_{ij}	Reaktancija elementa između čvorišta i i j
X_L	Reaktancija voda
x_n^0	Početna vrijednost nepoznanice
Y	Matrica admitancija čvorišta mreže
Y'_{mn}	Admitancija poprečne grane nadomjesne Π sheme elemenata između čvorišta m i n
y_1, \dots, y_n	Rješenja algebarskih jednadžbi
Y_{ij}, Y_{mn}	Admitancija elemenata između čvorišta i i j odnosno m i n
δ	Fazni kut napona
$\Delta V $	Vektor faktora prilagođenja iznosa napona
$\delta_i, \delta_j, \delta_m$	Fazni kut napona za čvorište i, j odnosno m

$\delta_i - \delta_j$	Razlika faznih kutova napona susjednih čvorišta
δ_{MAX}	Najveći fazni kut napona svih čvorišta
δ_{MIN}	Najmanji fazni kut napona svih čvorišta
ΔP	Vektor razlike početno zadane djelatne snage i trenutno izračunate vrijednosti
ΔQ	Vektor razlike početno zadane jalove snage i trenutno izračunate vrijednosti
δ_{REF}	Referentni fazni kut napona
ΔX	Matrica faktora prilagođenja
$\Delta x_1, \dots, \Delta x_n$	Faktori prilagođenja
$\Delta \delta$	Vektor faktora prilagođenja faznog kuta napona
θ_{mn}	Kut admitancije elemenata između čvorišta m i n
φ	Fazni pomak
ω	Kutna brzina

POPIS SLIKA

Slika 2.1 Vremensko djelovanje sustav vođenja	11
Slika 2.2 Princip rada zaštitne sheme	12
Slika 2.3 Dio funkcija zaštite cjelovitosti sustava.....	14
Slika 2.4 Napredna zaštitna shema zasnovana na sinkroniziranim mjerenjima.....	14
Slika 3.1 Prikaz načela procjene fazora u odnosu na vremenski signal	17
Slika 3.2 Uređaj za sinkronizirano mjerenje fazora proizvođača Macrodyne, model 1690	18
Slika 3.3 Grafički prikaz funkcije $f(t)$	20
Slika 3.4 Grafički prikaz fazor F u kompleksnoj ravnini.....	20
Slika 3.5 Arhitektura sustava zaštite cjelovitosti zasnovana na sinkroniziranim mjerenjima fazora.....	21
Slika 3.6 Sklopovska blok shema modernog PMU uređaja	22
Slika 3.7 Mogućnosti komunikacijske povezanosti modernog PMU uređaja.....	23
Slika 3.8 Djelatna snaga prilikom isključenja DV 220 kV Plomin-Melina	23
Slika 3.9 Jalova snaga prilikom isključenja DV 220 kV Plomin-Melina	24
Slika 3.10 Frekvencija u mjerenim točkama EES-a prilikom isključenja DV 220 kV Plomin-Melina.....	24
Slika 3.11 Proračun tokova snaga u programu NetVision DAM za karakterističan položaj ...	25
Slika 3.12 Sinkronizirana mjerenja fazora za opisani karakterističan položaj.....	26
Slika 3.13 Zabilježeno preopterećenje DV 110 kV Crikvenica-Vrataruša	27
Slika 4.1 Metoda za izradu NZS-a na temelju procjene sigurnosti	30
Slika 4.2 Vrste sabirnica u proračunu	35
Slika 4.3 Izračun tokova na elementu mreže.....	38
Slika 4.4 Kriteriji za pokretanje napredne zaštitne sheme	51
Slika 4.5 Predložak za simuliranje pokretanja napredne zaštitne sheme	52
Slika 5.1 IEEE ispitni sustav s 14 sabirnica s prijedlogom smještaja sinkroniziranih mjernih uređaja za potrebe heurističkog modela za promjenu topologije mreže	55
Slika 5.2 Proračun tokova snaga osnovnog scenarija s prikazom prividne snage i postotnih opterećenja vodova.....	57
Slika 5.3 N-1 analiza voda 1-2(1) s prikazom prividne snage i postotnih opterećenja vodova	58
Slika 5.4 Provjera djelovanja NZS IEEE 14 A na izmjeničnom modelu mreže	59
Slika 5.5 Uvjeti pokretanja NZS-e za IEEE ispitni sustav s 14 sabirnica	60
Slika 5.6 Simulacija pokretanja NZS-a za IEEE ispitni sustav s 14 sabirnica.....	62

Slika 5.7 Usporedba prividne snage elemenata korištenjem NZS IEEE 14 A.....	63
Slika 5.8 Usporedba iznosa napona sabirnica korištenjem NZS IEEE 14 A	64
Slika 5.9 Usporedba kutova napona sabirnica korištenjem NZS IEEE 14 A	64
Slika 5.10 Usporedba proizvodnje, potrošnje i gubitaka korištenjem NZS IEEE 14 A.....	65
Slika 6.1 Dio EES-a Hrvatske u okolici VE Vrataruša	67
Slika 6.2 Stvarna sinkronizirana mjerenja snimljena korištenjem WAMSTER platforme.....	68
Slika 6.3 Rezultati dobiveni proračunom tokova snaga	69
Slika 6.4 Proračun tokova snaga za scenarij maksimalne proizvodnje.....	70
Slika 6.5 N-1 analiza ispada 220/110 kV AT u HE Senj	71
Slika 6.6 Proračun primjene modela razdvajanja sustava sabirnica NZS Senj	72
Slika 6.7 Uvjeti pokretanja NZS Senj	73
Slika 6.8 Provjera pokretanja NZS Senj u programskom paketu Matlab	74
Slika 6.9 Usporedba postotnog iznosa prividne snage elemenata korištenjem NZS Senj	74
Slika 6.10 Usporedba iznosa napona sabirnica korištenjem NZS Senj.....	75
Slika 6.11 Usporedba kutova napona sabirnica korištenjem NZS Senj	76
Slika 6.12 Razlika proizvodnje, razmjene, potrošnje i gubitaka korištenjem NZS Senj	76
Slika 6.13 Dijagram toka razvijenog algoritma.....	77
Slika 7.1 Primjer stanice sa šest početno definiranih elemenata	82
Slika 7.2 Nadomjesni model stanice sa šest početno definiranih elemenata	83
Slika 7.3 Simbolični primjer razdvajanja stanice sa šest početno definiranih elemenata na tri sustava sabirnica.....	86
Slika 7.4 IEEE ispitni sustav s 14 sabirnica s prijedlogom smještaja sinkroniziranih mjernih uređaja za potrebe modela optimalne promjene topologije mreže.....	87
Slika 7.5 Proračun tokova snaga osnovnog scenarija s prikazom djelatne snage i postotnih opterećenja vodova.....	88
Slika 7.6 N-1 analiza voda 1-2(1) s prikazom djelatne snage i postotnih opterećenja vodova	89
Slika 7.7 Rješenje optimizacijskog algoritma NZS IEEE 14 B	92
Slika 7.8 Provjera djelovanja NZS IEEE 14 B na izmjeničnom modelu mreže	93
Slika 7.9 Usporedba prividne snage elemenata korištenjem NZS IEEE 14 B.....	95
Slika 7.10 Usporedba iznosa napona sabirnica korištenjem NZS IEEE 14 B	96
Slika 7.11 Usporedba kutova napona sabirnica korištenjem NZS IEEE 14 B.....	96
Slika 7.12 Usporedba proizvodnje, potrošnje i gubitaka korištenjem NZS IEEE 14 B.....	97
Slika 8.1 IEEE ispitni sustav s 14 sabirnica s prijedlogom smještaja sinkroniziranih mjernih uređaja za potrebe modela optimalnog rasterećenja.....	101

Slika 8.2 Proračun tokova snaga osnovnog scenarija s prikazom djelatne i jalove snage vodova	102
Slika 8.3 N-1 analiza voda 1-2(1) s prikazom djelatne i jalove snage vodova	103
Slika 8.4 Rješenje optimizacijskog algoritma NZS IEEE 14 O	105
Slika 8.5 Provjera djelovanja NZS IEEE 14 O na izmjeničnom modelu mreže	107
Slika 8.6 Rješenje optimizacijskog algoritma NZS IEEE 14 P	108
Slika 8.7 Provjera djelovanja NZS IEEE 14 P na izmjeničnom modelu mreže	110
Slika 8.8 Usporedba prividne snage elemenata korištenjem NZS IEEE 14 O i P	112
Slika 8.9 Usporedba iznosa napona sabirnica korištenjem NZS IEEE 14 O i P	113
Slika 8.10 Usporedba kutova napona sabirnica korištenjem NZS IEEE 14 O i P	113
Slika 8.11 Usporedba proizvodnje, potrošnje i gubitaka korištenjem NZS IEEE 14 O i P ...	114
Slika 9.1 Elektroenergetski podsustav Istre	116
Slika 9.2 Efektivne vrijednosti struja u TS Buje na VP 110 kV Kopar	117
Slika 9.3 Efektivne vrijednosti struja u TS Plomin na VP 110 kV Lovran	117
Slika 9.4 Efektivne vrijednosti faznih napona u TS Buje na VP 110 kV Kopar	118
Slika 9.5 Efektivne vrijednosti faznih napona u TS Plomin na VP 110 kV Lovran	119
Slika 9.6 Prividna snaga u TS Buje na VP 110 kV Kopar	120
Slika 9.7 Prividna snaga u TS Plomin na VP 110 kV Lovran	120
Slika 9.8 P-Q dijagram u TS Buje na VP 110 kV Kopar	121
Slika 9.9 P-Q dijagram u TS Plomin na VP 110 kV Lovran	121
Slika 9.10 Proračun tokova snaga izmjeničnog modela prije izvođenja optimizacije	124
Slika 9.11 Proračun tokova snaga izmjeničnog modela nakon izvođenja optimizacije	127
Slika 9.12 Usporedba prividne snage elemenata korištenjem NZS Istra	129
Slika 9.13 Usporedba iznosa napona sabirnica korištenjem NZS Istra	130
Slika 9.14 Usporedba kutova napona sabirnica korištenjem NZS Istra	131
Slika 9.15 Razlika proizvodnje, potrošnje i gubitaka korištenjem NZS Istra	131

POPIS TABLICA

Tablica 5.1 Predložak NZS-e promjene topologije mreže	54
Tablica 5.2 Predloženi heuristički model promjene topologije mreže NZS IEEE 14 A.....	60
Tablica 6.1 Usporedba izračunatih i stvarnih mjerenih vrijednosti.....	69
Tablica 6.2 Scenarij maksimalne proizvodnje	70
Tablica 6.3 Predloženi model razdvajanja sustava sabirnica NZS Senj.....	72
Tablica 6.4 Definiranje dozvoljenog opterećenja elementa mreže	78
Tablica 6.5 Parametri vremenske točnosti i odgode.....	79
Tablica 7.1 Pretpostavljena dozvoljena ograničenja elemenata ispitnog sustava	86
Tablica 7.2 Izračun faktora prilagodbe k_{pe} za slučaj preopterećenja.....	90
Tablica 7.3 Predloženi model optimalne promjene topologije mreže NZS IEEE 14 B.....	91
Tablica 8.1 Pretpostavljena dozvoljena ograničenja elemenata ispitnog sustava	100
Tablica 8.2 Rezultati optimizacije NZS IEEE 14 O.....	106
Tablica 8.3 Rezultati optimizacije NZS IEEE 14 P s uvedenim prioritetom opskrbe	109
Tablica 8.4 Prividna snaga i postotno opterećenje voda 1-2(2) za različite modele.....	111
Tablica 9.1 Iznosi tereta modeliranog podsustava Istre	122
Tablica 9.2 Rezultati proračuna tokova snaga prije optimizacije	123
Tablica 9.3 Prikaz sume tereta koju je potrebno isključiti primjenom NZS Istra.....	125
Tablica 9.4 Rezultati optimizacije analiziranog scenarija i definicija NZS Istra.....	126
Tablica 9.5 Rezultati proračuna tokova snage nakon optimizacije.....	128

Prilog 2 – Programski kod algoritma za primjenu naprednih zaštitnih shema

```
clear all;
clc;
disp('Algoritam NZS u Prijenosnom području Rijeka');
disp('...');
disp('Detekcija preopterećenja 110 kV dalekovoda Crikvenica – Vratarusa');
%%% GENERIRANJE MJERENJA ZA POTREBE SIMULACIJE
if sticeni_objekt==1 % 110 kV kabel Crikvenica – Krk, Sn = 70 MVA, In = 367,85 A
    I_min=360;
    I_max=375;
    S_min=60;
    S_max=80;
elseif sticeni_objekt==2 % 110 kV dalekovod Crikvenica – Vratarusa, Sn = 123 MVA, In = 646,35 A
    I_min=640;
    I_max=655;
    S_min=115;
    S_max=130;
end
T_end=10;
broj_uzoraka=T_end*1000; %broj uzoraka mjerenja
I_mjer=zeros(broj_uzoraka,2);
I_mjer(:,1) = I_min + (I_max-I_min).*rand(broj_uzoraka,1); %slučajne vrijednosti u intervalu [I_min,I_max]
S_mjer=zeros(broj_uzoraka,2);
S_mjer(:,1) = S_min + (S_max-S_min).*rand(broj_uzoraka,1); %slučajne vrijednosti u intervalu [S_min,S_max]
for i1=2:1:broj_uzoraka %generiranje vremena u zapisu
    I_mjer(i1,2)=I_mjer(i1-1,2)+20;
    S_mjer(i1,2)=S_mjer(i1-1,2)+20;
end
%%% PROVJERA STATUSA VODA
vod_uklj_isklj=-1; %1 vod uključen, 0 vod isključen
disp('-----');
while ((vod_uklj_isklj~=1)&&(vod_uklj_isklj~=0))
    vod_uklj_isklj = input('Status voda (1 uključen, 0 isključen): ');
end
if vod_uklj_isklj==1 %vod uključen
    %% IZBOR KRITERIJA ALGORITMA
    izbor_kriterija=-1;
    disp('-----');
    disp('Izbor kriterija algoritma');
    disp(' 1) struja');
    disp(' 2) snaga');
    disp(' 3) struja i snaga');
    while ((izbor_kriterija~=1)&&(izbor_kriterija~=2)&&(izbor_kriterija~=3))
        izbor_kriterija = input('Kriterij: ');
    end
    %% DEFINIRANJE DOZVOLJENOG OPTERECENJA PRIJENOSNOG VODA
    I_krit=-1; %granicna struja
    S_krit=-1; %granicna snaga
    disp('');
    disp('-----');
    disp('Dozvoljeno opterećenje prijenosnog voda');
    if sticeni_objekt==1
        disp('110 kV kabel Crikvenica – Krk, Sn = 70 MVA, In = 367 A');
    elseif sticeni_objekt==2
        disp('110 kV dalekovod Crikvenica – Vratarusa, Sn = 123 MVA, In = 646 A');
    end
    switch izbor_kriterija
        case 1 %struja
            while I_krit<0
```

```

        I_krit = input('Struja I_t [A]: ');
    end
case 2 %snaga
    while S_krit<0
        S_krit = input('Prividna snaga S_t [MVA]: ');
    end
case 3 %struja i snaga
    while S_krit<0
        S_krit = input('Prividna snaga S_t [MVA]: ');
    end
    while I_krit<0
        I_krit = input('Struja I_t [A]: ');
    end
end
kriteriji=struct('T_krit',I_krit,'S_krit',S_krit);
%% PARAMETRI VREMENSKE TOCNOSTI I ODGODE
T_korak=-1;%vremenska tocnost algoritma
T_odgoda=-1;%vremenska odgoda djelovanja algoritma
disp('-----');
disp('Parametri vremenske tocnosti i odgode');
disp('  T_korak (dozvoljene vrijednosti 20 [ms], 40 [ms], 80 [ms], 100 [ms])');
disp('  T_odgoda (dozvoljene vrijednosti 1 [s], 2 [s])');
while (T_korak~=20)&&(T_korak~=40)&&(T_korak~=80)&&(T_korak~=100)
    T_korak = input('Vremenska tocnost algoritma T_korak [ms]: ');
end
while (T_odgoda~=1)&&(T_odgoda~=2)
    T_odgoda = input('Vremenska odgoda djelovanja algoritma T_odgoda [s]: ');
end
%% IZRACUN
i4=0;
i7=0;
for T=0:T_korak:20000
    for i2=1:1:size(mjerenja.I_mjer,1)
        if mjerenja.I_mjer(i2,2)==T%mjerenje za odabrani vremenski trenutak
            i4=i4+1;
            I_check(i4,1)=T;%promatrani vremenski trenutak
            I_check(i4,2)=mjerenja.I_mjer(i2,1);%vrijednost u promatranom vremenskom trenutku
            if mjerenja.I_mjer(i2,1)>kriteriji.I_krit%iznos mjerenja veci od kriterija
                I_check(i4,3)=1;
            end
            for i3=1:1:size(mjerenja.I_mjer,1)
                if mjerenja.I_mjer(i3,2)==T+T_odgoda*1000%mjerenje za odabrani vremenski trenutak s odgodom
                    (T_odgoda je u [s] pa mnozimo s 1000 za [ms])
                    I_check(i4,4)=T+T_odgoda*1000;%promatrani vremenski trenutak + vrijeme odgode
                    I_check(i4,5)=mjerenja.I_mjer(i3,1);% vrijednost u novom vremenskom trenutku
                    if mjerenja.I_mjer(i3,1)>kriteriji.I_krit%iznos mjerenja veci od kriterija
                        I_check(i4,6)=1;
                    end
                end
            end
        end
    end
end
end
for i5=1:1:size(mjerenja.S_mjer,1)
    if mjerenja.S_mjer(i5,2)==T%mjerenje za odabrani vremenski trenutak
        i7=i7+1;
        S_check(i7,1)=T;%promatrani vremenski trenutak
        S_check(i7,2)=mjerenja.S_mjer(i5,1);%vrijednost u promatranom vremenskom trenutku
        if mjerenja.S_mjer(i5,1)>kriteriji.S_krit%iznos mjerenja veci od kriterija
            S_check(i7,3)=1;
        end
    end
end

```



```

disp('Uklonno stanje okolne mreze:');
switch sticeni_objekt
case 1% 110 kV kabel Crikvenica – Krk
disp('1) Iskljucen 110 kV DV Otocac – Senj, 220 kV DV Melina – Senj ili 220/110 kV
autotransformator u HE Senj');
disp('2) Iskljucen 110 kV DV Crikvenica – Vinodol');
izbor_modela_djelovanja=-1;
while ((izbor_modela_djelovanja~=1)&&(izbor_modela_djelovanja~=2))
izbor_modela_djelovanja = input('Odabir (1, 2): ');
end
fprintf('\n ...aktivacija modela djelovanja...\n');
if izbor_modela_djelovanja==1
disp(' Model djelovanja: D, postojenje: HE VINODOL');
disp(' Sistem I: generatori i tereti (odvodi prema distribuciji) te dalekovodi Delnice i
Vrbovsko');
disp(' Sistem II: dalekovodi Crikvenica, Melina i Plase');
elseif izbor_modela_djelovanja==2
disp(' Model djelovanja: A, postojenje: HE SENJ');
disp(' Sistem I: jedan generator i tereti (odvodi prema distribuciji) te dalekovodi
Vratarusa i Otocac');
disp(' Sistem II: drugi generator i 220/110 kV autotransformator');
end
case 2 % 110 kV dalekovod Crikvenica – Vratarusa
disp('1) Iskljucen 110 kV DV Otocac – Senj');
disp('2) Iskljucen 220/110 kV autotransformator u HE Senj');
disp('3) Iskljucen 220 kV DV Melina – Senj');
izbor_modela_djelovanja=-1;
while
((izbor_modela_djelovanja~=1)&&(izbor_modela_djelovanja~=2)&&(izbor_modela_djelovanja~=3))
izbor_modela_djelovanja = input('Odabir (1, 2): ');
end
fprintf(' ...aktivacija modela djelovanja...\n');
if izbor_modela_djelovanja==1
disp(' Model djelovanja: C, postojenje: HE SENJ');
disp(' Sistem I: jedan generator i tereti (odvodi prema distribuciji) te dalekovod
Vratarusa');
disp(' Sistem II: drugi generator i 220/110 kV autotransformator');
elseif izbor_modela_djelovanja==2
disp(' Model djelovanja: B, postojenje: HE SENJ');
disp(' Sistem I: jedan generator i tereti (odvodi prema distribuciji) te dalekovod
Vratarusa');
disp(' Sistem II: drugi generator te dalekovod Otocac');
elseif izbor_modela_djelovanja==3
disp(' Model djelovanja: A, postojenje: HE SENJ');
disp(' Sistem I: jedan generator i tereti (odvodi prema distribuciji) te dalekovodi
Vratarusa i Otocac');
disp(' Sistem II: drugi generator i 220/110 kV autotransformator');
end
end
else
I_S_T2_check=0;
i8_prethodno=i8;
fprintf('T2=%7.2f, I2=%6.2f, S2=%6.2f, OPT=%6.2f nema preopterecenja u trenutku
T2\n',I_check(i8,4),I_check(i8,5),S_check(i8,5),I_S_T2_check);
fprintf(' ...ponovno uspostavljanje funkcije lokalne zastite...\n');
end
elseif (I_check_opt_T1(i8,1)==0)&&(S_check_opt_T1(i8,1)==0)
I_S_T1_check=0;
i8_prethodno=i8;
disp('-----');

```

```

    fprintf('T1=%7.2f, I1=%6.2f, S1=%6.2f, OPT=%6.2f nema preopterećenja u trenutku
T1\n',I_check(i8,1),I_check(i8,2),S_check(i8,2),I_S_T1_check);
    end
    while ((algoritam_nastavak_prekid~=1)&&(algoritam_nastavak_prekid~=2))
        disp('-----');
        algoritam_nastavak_prekid = input('Nastavak (1) ili prekid algoritma (2): ');
        end
        if algoritam_nastavak_prekid==2
            disp('Kraj algoritma');
            end
        end
        i9(i10,1:5)=[I_check(i8,1) I_check(i8,4) I_S_T1_check i8 i8_prethodno]; %provjera, ako je u T1
preopterećenje onda je iduci T1=T1+Tkorak+Todgoda, ako nije bilo preopterećenja onda je T1=T1+Tkorak
        i10=i10+1;
        end
    end
end
else
    disp('Vod iskljucen, kraj algoritma');
end
end

```

Prilog 3 – Funkcionalno ispitivanje algoritma za primjenu naprednih zaštitnih shema u programskom paketu MATLAB

Algoritam NZS u Prijenosnom području Rijeka

Detekcija preopterećenja 110 kV dalekovoda Crikvenica – Vrataruša

Status voda (1 uključen, 0 isključen): 1

Izbor kriterija algoritma

- 1) struja
- 2) snaga
- 3) struja i snaga

Kriterij: 3 **MOGUĆE ODABRATI BILO KOJI KRITERIJ**

Dozvoljeno opterećenje prijenosnog voda

110 kV dalekovod Crikvenica – Vrataruša, $S_n = 123$ MVA, $I_n = 646$ A **ZA SADA SE UPISUJE – U BUDUĆNOSTI SE ČITA IZ BAZE PODATAKA**

Prividna snaga S_t [MVA]: 123

Struja I_t [A]: 646

Parametri vremenske točnosti i odgode

T_{korak} (dozvoljene vrijednosti 20 [ms], 40 [ms], 80 [ms], 100 [ms])

T_{odgoda} (dozvoljene vrijednosti 1 [s], 2 [s])

Vremenska točnost algoritma T_{korak} [ms]: 20

Vremenska odgoda djelovanja algoritma T_{odgoda} [s]: 2

$T1 = 0.00$, $I1 = 646.54$, $S1 = 127.38$, $OPT = 1.00$ preopterećenje u trenutku T1

...blokada lokalne zaštite...

...vremenska odgoda...

T2=2000.00, I2=646.66, S2=127.77, OPT= 1.00 preopterećenje u trenutku T2

Uklopno stanje okolne mreže:

- 1) Isključen 110 kV DV Otočac – Senj
- 2) Isključen 220/110 kV autotransformator u HE Senj
- 3) Isključen 220 kV DV Melina – Senj

Odabir (1, 2, 3): 1 **BIRA SE RUČNO MEĐUTIM IMPLEMENTIRAN S CJELOVITIM SUSTAVOM DJELUJE AUTOMATSKI**

...aktivacija modela djelovanja...

Model djelovanja: C, postrojenje: HE SENJ

Sistem I: jedan generator i tereti (odvodi prema distribuciji) te dalekovod Vrataruša

Sistem II: drugi generator i 220/110 kV autotransformator

Nastavak (1) ili prekid algoritma (2): 1

T1=2020.00, I1=650.57, S1=128.22, OPT= 1.00 preopterećenje u trenutku T1

...blokada lokalne zaštite...

...vremenska odgoda...

T2=4020.00, I2=644.03, S2=115.00, OPT= 0.00 nema preopterećenja u trenutku T2

...ponovno uspostavljanje funkcije lokalne zaštite...

Nastavak (1) ili prekid algoritma (2): 1

T1=4040.00, I1=650.96, S1=127.15, OPT= 1.00 preopterećenje u trenutku T1

...blokada lokalne zaštite...

...vremenska odgoda...

T2=6040.00, I2=654.42, S2=128.69, OPT= 1.00 preopterećenje u trenutku T2

Uklopno stanje okolne mreže:

- 1) Isključen 110 kV DV Otočac – Senj
- 2) Isključen 220/110 kV autotransformator u HE Senj
- 3) Isključen 220 kV DV Melina – Senj

Odabir (1, 2, 3): 2

...aktivacija modela djelovanja...

Model djelovanja: B, postrojenje: HE SENJ

Sistem I: jedan generator i tereti (odvodi prema distribuciji) te dalekovod Vrataruša

Sistem II: drugi generator te dalekovod Otočac

Nastavak (1) ili prekid algoritma (2): 1

T1=6060.00, I1=640.95, S1=117.85, OPT= 0.00 nema preopterećenja u trenutku T1

Nastavak (1) ili prekid algoritma (2): 1

T1=6080.00, I1=650.79, S1=125.64, OPT= 1.00 preopterećenje u trenutku T1

...blokada lokalne zaštite...

...vremenska odgoda...

T2=8080.00, I2=645.11, S2=118.85, OPT= 0.00 nema preopterećenja u trenutku T2

...ponovno uspostavljanje funkcije lokalne zaštite...

Nastavak (1) ili prekid algoritma (2): 1

T1=8100.00, I1=643.47, S1=117.54, OPT= 0.00 nema preopterećenja u trenutku T1

Nastavak (1) ili prekid algoritma (2): 1

T1=8120.00, I1=650.63, S1=118.59, OPT= 1.00 preopterećenje u trenutku T1

...blokada lokalne zaštite...

...vremenska odgoda...

T2=10120.00, I2=654.32, S2=116.38, OPT= 1.00 preopterećenje u trenutku T2

Uklopno stanje okolne mreže:

- 1) Isključen 110 kV DV Otočac – Senj
- 2) Isključen 220/110 kV autotransformator u HE Senj
- 3) Isključen 220 kV DV Melina – Senj

Odabir (1, 2, 3): 3

...aktivacija modela djelovanja...

Model djelovanja: A, postrojenje: HE SENJ

Sistem I: jedan generator i tereti (odvodi prema distribuciji) te dalekovodi Vrataruša i Otočac

Sistem II: drugi generator i 220/110 kV autotransformator

Nastavak (1) ili prekid algoritma (2): 1

T1=10140.00, I1=642.84, S1=122.23, OPT= 0.00 nema preopterećenja u trenutku T1

Nastavak (1) ili prekid algoritma (2): 2 **NAKON ŠTO SE UTVRDILO DA VIŠE NEMA PREOPTEREĆENJA – ALGORITAM SE PREKIDA - U AUTOMATSKOM REŽIMU NIJE POTREBNO ODABRATI PREKID, MEĐUTIM OPERATER UVIJEK IMA MOGUĆNOST PREKIDA ALGORITMA U SVAKOM TRENUTKU**

Prilog 4 – Programski kod optimizacijskog algoritma za razdvajanje sabirnica

```
model IEEE14DCmodelX
uses "mmxprs"
!PRORAČUN TOKOVA SNAGA TEMELJI SE NA DC MODELU MREŽE

!PODACI ZA UNOS:  -BROJ SABIRNICA
!                -BROJ ELEMENATA
!                -NIZ -1/REAKTANCIJA SVIH POSTOJEĆIH VEZA IZMEĐU SABIRNICA
!                -DOZVOLJENA OPTEREĆENJA ELEMENATA U MVA
!                -NIZ SNAGA TERETA U MW
!                -NIZ SNAGE PROIZVODNJE U MW
!                -STVARNA PMU MJERENJA

declarations

!RUČNI UNOS-----
i=1..14 !Ukupan broj sabirnica
iz=1..15 !Potrebno za izradu ZIL-ova
j=1..21 !Ukupan broj elemenata mreže
VELIKI_BROJ=500 !1/REAKTANCIJA ZIL-ova
ZILSMIN=-250 !Minimalna dozvoljena snaga ZIL-ova
ZILSMAX=250 !Maksimalno dozvojena snaga ZIL-ova
KUTVARMIN=0 !Minimalni kut sabirnica
KUTVARMAX=10000 !Maksimalni kut sabirnica
MAXISK=117 !Maksimalni broj isključenja
KS=1.2 !Koeficijent sigurnosti
ii=1..55 !Ukupan broj sabirnica novog modela
jj=1..117 !Ukupan broj elemenata novog modela
!-----

NKUTVAR:array(ii) of mpvar !Varijabla odlučivanja kuta
NSNAGE_ELEMENATA:array(jj) of mpvar !Varijabla odlučivanja snage elemenata
NPROIZVODNJA:array(ii) of mpvar !Varijabla odlučivanja proizvodnje u sabirnicama
NUKVAR:array(jj) of mpvar !Varijabla odlučivanja uključenosti elemenata

TERET:array(i) of real !Tereti u sabirnicama
B_IMPEDANCIJA:array(j) of real !-1/reaktancija elemenata
PROIZVODNJAMIN:array(i) of real !Minimalna proizvodnja sabirnica
PROIZVODNJAMAX:array(i) of real !Maksimalna proizvodnja sabirnica
SMIN:array(j) of real !Minimalne snage elemenata
SMAX:array(j) of real !Maksimalne snage elemenata
M:array(jj) of real !Koeficijent linearizacije
NN:array(j) of integer !Početna sabirnica elemenata
MM:array(j) of integer !Krajnja sabirnica elemenata
FAKTOR_PRILAGODBE:array(j) of real !Niz izračunatih faktora prilagodbe

NTERET:array(ii) of real !Tereti u sabirnicama prosirenog modela
NB_IMPEDANCIJA:array(jj) of real !-1/reaktancija elemenata prosirenog modela
NNN:array(jj) of integer !Početna sabirnica elemenata prosirenog modela
MMM:array(jj) of integer !Krajnja sabirnica elemenata prosirenog modela
nn:integer !Početna sabirnica elemenata kod stvaranja prosirenog modela
mm:integer !Krajnja sabirnica elemenata kod stvaranja prosirenog modela
NFAKTOR_PRILAGODBE:array(jj) of real !Niz izračunatih faktora prilagodbe prosirenog modela

PDC:array(j) of real !Snage elemenata dobivene proračunom istosmjernog modela mreže
PAC:array(j) of real !Stvarne snage elemenata - dobivene proračunom izmjeničnog modela mreže

BROJ_VODOVA:array(i) of integer !Broj vodova koji izlaze iz sabirnica
BROJ_VODOVA_SAB:array(i) of integer !Broj vodova u sabirnicama
```



```

    NTERET(nn):=TERET(n)
    NPROIZVODNJAMIN(nn):=0
    NPROIZVODNJAMAX(nn):=0
    nn:=nn+1
end-if
forall(m in j|NN(m)=n) do
    NNN(mm):=nn
    NB_IMPEDANCIJA(mm):=B_IMPEDANCIJA(m)
    NFAKTOR_PRILAGODBE(mm):=FAKTOR_PRILAGODBE(m)
    NPROIZVODNJAMIN(nn):=0
    NPROIZVODNJAMAX(nn):=0
    NTERET(nn):=0
    mm:=mm+1
    nn:=nn+1
end-do
forall(m in j|MM(m)=n) do
    MMM(m):=nn
    NPROIZVODNJAMIN(nn):=0
    NPROIZVODNJAMAX(nn):=0
    NTERET(nn):=0
    nn:=nn+1
end-do
end-do

```

!STVARANJE ZIL-ova

```

KRAJEVI_ZIL(1):=0
forall (n in i) KRAJEVI_ZIL(n+1):=KRAJEVI_ZIL(n)+BROJ_ELEMENATA_SAB(n)
forall (n in i) do
    POCETAK:=KRAJEVI_ZIL(n)+1
    KRAJ:=KRAJEVI_ZIL(n+1)
    while (POCETAK<KRAJ) do
        PRIV:=POCETAK+1
        while (PRIV<=KRAJ) do
            NNN(mm):=POCETAK
            MMM(mm):=PRIV
            NB_IMPEDANCIJA(mm):=VELIKI_BROJ
            NFAKTOR_PRILAGODBE(mm):=1
            mm:=mm+1
            PRIV:=PRIV+1
        end-do
        POCETAK:=POCETAK+1
    end-do
end-do

```

!OGRANIČENJA I FORMULE

```

NKUTVAR(1)=0

forall(n in ii) do
    KUTVARMIN<=NKUTVAR(n)
    NKUTVAR(n)<=KUTVARMAX
    NPROIZVODNJAMIN(n)<=NPROIZVODNJA(n)
    NPROIZVODNJA(n)<=NPROIZVODNJAMAX(n)
    NPROIZVODNJA(n)-NTERET(n)=sum(q in jj|NNN(q)=n) NSNAGE_ELEMENATA(q)-sum(q in
jj|MMM(q)=n) NSNAGE_ELEMENATA(q)
end-do

forall(m in jj) do
    NUKVAR(m) is_binary
    NFAKTOR_PRILAGODBE(m)*NSMIN(m)<=NSNAGE_ELEMENATA(m)
    NSNAGE_ELEMENATA(m)<=NFAKTOR_PRILAGODBE(m)*NSMAX(m)

```

```

    NUKVAR(m)*NFAKTOR_PRILAGODBE(m)*NSMIN(m)<=NSNAGE_ELEMENATA(m)
    NSNAGE_ELEMENATA(m)<=NUKVAR(m)*NFAKTOR_PRILAGODBE(m)*NSMAX(m)
    M(m):=NB_IMPEDANCIJA(m)*(KUTVARMAX-KUTVARMIN)
    (-1)*NB_IMPEDANCIJA(m)*(NKUTVAR(NNN(m))-NKUTVAR(MMM(m)))+(1-
NUKVAR(m))*M(m)>=NSNAGE_ELEMENATA(m)
    (-1)*NB_IMPEDANCIJA(m)*(NKUTVAR(NNN(m))-NKUTVAR(MMM(m)))-(1-
NUKVAR(m))*M(m)<=NSNAGE_ELEMENATA(m)
end-do

```

!DEFINIRANJE GRANICE MOGUĆIH ISKLJUČENJA

```
sum(m in jj) (1-NUKVAR(m))<=MAXISK
```

!DEFINIRANJE ZABRANE ISKLJUCENJA

```
forall(m in jj|m<>1) NUKVAR(m)>=1 !ELEMENTI OD 2 DO 21 (STARI VODOVI) NE SMIJU SE
ISKLUČIT
```

!SABIRNICE S MANJE OD 4 ELEMENTA NE SMIJU SE RAZDVAJATI

```

NUKVAR(49)>=1
NUKVAR(50)>=1 !SABIRNICE 3
NUKVAR(51)>=1
NUKVAR(87)>=1
NUKVAR(88)>=1 !SABIRNICE 7
NUKVAR(89)>=1
NUKVAR(100)>=1
NUKVAR(101)>=1 !SABIRNICE 10
NUKVAR(102)>=1
NUKVAR(103)>=1
NUKVAR(104)>=1 !SABIRNICE 11
NUKVAR(105)>=1
NUKVAR(106)>=1
NUKVAR(107)>=1 !SABIRNICE 12
NUKVAR(108)>=1
NUKVAR(115)>=1
NUKVAR(116)>=1 !SABIRNICE 14
NUKVAR(117)>=1

```

!UVJET DA MINIMALNO 2 ELEMENTA MORAJU BITI UKLJUČENA PO SABIRNICAMA

```

forall (n in ii|n<>34) do
    if (NPROIZVODNJAMAX(n)>0 or NTERET(n)>0) then
        (sum(m in jj|NNN(m)=n) NUKVAR(m) + sum(m in jj|MMM(m)=n) NUKVAR(m))>=1
    elif (NPROIZVODNJAMAX(n)=0 and NTERET(n)=0) then
        (sum(m in jj|NNN(m)=n) NUKVAR(m) + sum(m in jj|MMM(m)=n) NUKVAR(m))>=2
    end-if
end-do

```

!IZRACUN BROJA ISKLJUČENIH ELEMENTA

```
BROJ_ISK_ELE:=sum(m in jj) (1-NUKVAR(m))
```

!FUNKCIJA CILJA

```
minimize(sum(n in i) NPROIZVODNJA(n)) !Minimizacija sume proizvodnje
```

!ISPIS REZULTATA

```

forall(m in jj) writeln("ELEMENT-",m," od ",NNN(m)," do ",MMM(m)," u iznosu
",getsol(NSNAGE_ELEMENATA(m))," ukljucen: ", getsol(NUKVAR(m))) !Ispis podataka elemenata
forall(n in ii|getsol(NPROIZVODNJA(n))<>0) writeln("PROIZVODNJA-",n," iznosi:
",getsol(NPROIZVODNJA(n))) !Ispiši svu aktivnu proizvodnju
writeln("BROJ ISKLJUCENIH ELEMENTA: ", getsol(BROJ_ISK_ELE)) !Ispiši rezultat optimizacije -
broj isključenih elemenata
end-model

```


ŽIVOTOPIS

Zoran Zbunjak rođen je 1984. godine u Rijeci. Studij elektrotehnike, smjer električna postrojenja, pri Tehničkom fakultetu Sveučilišta u Rijeci upisao je 2003. godine gdje je i diplomirao 2008. godine. Prve četiri godine diplomskog studija nagrađivan je od strane fakultetskog vijeća nagradom za studenta godine, a od druge godine prima stipendiju HEP Operatora prijenosnog sustava, danas Hrvatskog operatora prijenosnog sustava.

Od 2008. godine, po završetku diplomskog studija, zapošljava se u Prijenosnom području Rijeka u Odjelu za relejnu zaštitu gdje se bavi poslovima održavanja i ugradnje uređaja relejne zaštite, analizom nastalih događaja u visokonaponskoj prijenosnoj mreži, proračunima tokova snaga i kratkih spojeva te primjenom sinkroniziranih mjerenja fazora u cilju razvoja sustava za vođenje. Godine 2016. postaje rukovoditelj navedenog odjela gdje proširuje svoje područje rada na organizacijske vještine.

Od 2008. do 2018. godine radi kao vanjski suradnik izabran u naslovno suradničko zvanje asistenta na Tehničkom fakultetu Sveučilišta u Rijeci na Zavodu za elektroenergetiku na raznim kolegijima: Zaštita i automatizacija električnih postrojenja, Vođenje elektroenergetskih sustava, Elektromotorni pogoni i Upravljanje elektromotornim pogonima.

Član je stručne grupe za relejnu zaštitu pri Hrvatskom operatoru prijenosnog sustava. Od 2010. godine član je tima za uvođenje i trajno korištenje programskog paketa CAPE za analizu i koordinaciju rada relejne zaštite na razini Hrvatskog operatora prijenosnog sustava. Od 2015. član je promatrač studijskog odbora B5 Zaštita i automatizacija pri hrvatskom ogranku CIGRE, a od 2019. član je udruženja CIGRE u Parizu. Od 2015. do 2018. godine bio je član trogodišnjeg znanstvenog projekta SIREN financiranog od strane Hrvatskog operatora prijenosnog sustava i Hrvatske zaklade za znanost.

Govori engleski jezik.

POPIS RADOVA:

- [1] Zbunjak, Z., Kuzle, I., „System Integrity Protection Scheme (SIPS) Development and an Optimal Bus-Splitting Scheme Supported by Phasor Measurement Units (PMUs)“, Energies, Vol. 12, No. 17, 2019, str. 3404.

- [2] Zbunjak, Z., Kuzle, I., Mađar, D., „Overload Mitigation SIPS Based on DC Model Optimization and PMU Technology”, *Tehnički vjesnik*, Vol. 27, No. 1, 2020, str. 213-220.
- [3] Skok, S., Ivanković, I., Zbunjak, Z., „Two Layer Hydropower Plant Dynamic Mathematical Modelling Using Synchronized Measurements“, *International Journal of Electrical Power & Energy Systems*, Vol. 103, 2018, str. 302-309.
- [4] Zbunjak, Z., Kuzle, I., „SIPS development method and busbar splitting scheme supported by PMU technology“, *11th Mediterranean Conference on Power Generation, Transmission, Distribution and Energy Conversion*, Cavtat, Croatia, 2018.
- [5] Ivanković, I., Brnobić, D., Rubeša, R., Zbunjak, Z., Grudenić, V., „Analyses of phasor measurement unit estimation algorithms for protection functions inside WAMPAC system“, *First International Colloquium on Smart Grid Metrology*, Split, Croatia, 2018.
- [6] Mađar, D., Jerčinović, D., Jeletić, A., Zbunjak, Z., Frlan, K., „Prijedlog algoritma za hitno rasterećenje konzuma elektroenergetskog podsustava Istre u uvjetima ugroženog normalnog pogona“, *13. simpozij o sustavu vođenja EES-a*, Rovinj, 2018.
- [7] Jeletić, A., Mađar, D., Jerčinović, D., Zbunjak, Z., Frlan, K., „Analiza proračuna kratkog spoja prijenosne elektroenergetske mreže u okolici VE ZD6P i ZD6 (TS Velika Popina) za potrebe provođenja primarnih pokusa kratkog spoja“, *13. simpozij o sustavu vođenja EES-a*, Rovinj, 2018.
- [8] Andrić, A., Kosor, R., Zbunjak, Z., Benović, J., Stjepandić, T., Tadin, T., „Nadogradnja mehanizma podfrekvencijskog rasterećenja“, *13. simpozij o sustavu vođenja EES-a*, Rovinj, 2018.
- [9] Skok, S., Frlan, K., Zbunjak, Z., Brnobić, D., „Korištenje sinkroniziranih mjerenja u cilju podešenja funkcije provjere sinkronizma“, *13. simpozij o sustavu vođenja EES-a*, Rovinj, 2018.
- [10] Zbunjak, Z., Bašić, H., Pandžić, H., Kuzle, I., „Phase Shifting Autotransformer, Transmission Switching and Battery Energy Storage Systems to Ensure N-1

Criterion of Stability“, 12th Conference on Sustainable Development of Energy, Water and Environment Systems, Dubrovnik, Croatia, 2017.

- [11] Zbunjak, Z., Bašić, H., Pandžić, H., Kuzle, I., „Integracija sustava baterijskog spremnika energije u elektroenergetski sustav za osiguranje N-1 kriterija sigurnosti“, 13. savjetovanje HRO CIGRE, Šibenik, 2017.
- [12] Frlan, K., Pavić, I., Zbunjak, Z., Tomašević, F., Sokolić, L., „Analiza pogona mrežnog transformatora 220/110 kV u HE Senj s uzdužnom i kosom regulacijom“, 13. savjetovanje HRO CIGRE, Šibenik, 2017.
- [13] Mađar, D., Zbunjak, Z., Frlan, K., „Analiza djelovanja sustava relejne zaštite u nadležnosti HOPS PrP Rijeka za vrijeme uvjeta ekstremne posolice u siječnju 2017. godine“, 13. savjetovanje HRO CIGRE, Šibenik, 2017.
- [14] Brnobić, D., Frlan, K., Ivanković, I., Zbunjak, Z., „Uređaj za mjerenje sinkroniziranih fazora tipa STERPMU R-1“, 12. simpozij o sustavu vođenja EES-a, Split, 2016.
- [15] Kotorac, D., Andrić, A., Frlan, K., Sokolić, L., Zbunjak, Z., „Aktivnosti za sprječavanje raspada EES-a na području Istre“, 12. simpozij o sustavu vođenja EES-a, Split, 2016.
- [16] Z. Zbunjak, H. Bašić, H. Pandžić, I. Kuzle, „Phase shifting autotransformer, transmission switching and battery energy storage systems to ensure n-1 criterion of stability“, Journal of Energy, Vol. 64, 2015 Special Issue, str. 285-298.
- [17] Skok, S., Frlan, K., Kirinčić, V., Kotorac, D., Mikac, E., Zbunjak, Z., „Napredno vođenje i zaštita dijela prijenosnog elektroenergetskog sustava Prijenosnog područja Rijeka-podsustav Istre“, 12. Savjetovanje HRO CIGRE, Šibenik, 2015.
- [18] Šutej, A., Frlan, K., Zbunjak, Z., „Rekonstrukcija i modernizacija opreme za nadzor, zaštitu i upravljanje u trafostanici 400/220/110 kV Melina“, 12. savjetovanje HRO CIGRE, Šibenik, 2015.
- [19] Šutej, A., Zbunjak, Z., Frlan, K., „Using Automatic Reclose Operation of Numerical Relay Protection on Combined Overhead-Cable Transmission Lines“, Protection Automation and Control World Conference, Zagreb, 2014.

- [20] Skok, S., Šturlić, I., Rubeša, R., Zbunjak Z., Frlan K., „Centralni kontroler za nadzor i automatsko vođenje prijenosnog elektroenergetskog sustava“, 11. simpozij o sustavu vođenja EES-a, Opatija, 2014.
- [21] Zbunjak, Z., Kuzle, I., „Advanced Control and System Integrity Protection Schemes of Croatian Power Transmission Network with Integrated Renewable Energy Sources“, Eurocon, Zagreb, Croatia, 2013.
- [22] Zbunjak, Z., Frlan, K., Skok, S., „Napredna sistemska zaštita od preopterećenja u dijelu mreže prijenosnog područja Rijeka“, 11. savjetovanje HRO CIGRE, Cavtat, 2013.
- [23] Kotorac, D., Zbunjak, Z., Valentić, V., Sokolić, L., Šumberac, B., „Analiza mogućnosti primjene naprednog vođenja prijenosnog sustava na elektroenergetskom podsustavu Istre“, 11. savjetovanje HRO CIGRE, Cavtat, 2013.
- [24] Skok, S., Ivankovic, I., Frlan, K., Zbunjak, Z., „Monitoring and control of smart transmission grid based on synchronized measurements“, International Conference on Advanced Power System Automation and Protection, Beijing, China, 2011.
- [25] Zbunjak, Z., Kuzle, I., „Possible savings in electricity transmission using wide area monitoring technologies in Croatian power transmission network“, 8th international conference on the European Energy Market, Zagreb, Croatia, 2011.
- [26] Skok, S., Frlan, K., Zbunjak, Z., „Nadzor i vođenje rada vjetroelektrane s okolnim elektroenergetskim sustavom na osnovi sinkroniziranih mjerenja fazora“, 10. savjetovanje HRO CIGRE, Cavtat, 2011.
- [27] Skok, S., Rubeša, R., Kirinčić, V., Frlan, K., Zbunjak, Z., „Dinamička analiza pogona dijela elektroenergetskog sustava prijenosnog područja Rijeka obzirom na rad VE Vrataruša“, 9. simpozij o sustavu vođenja EES-a, Zadar, 2010.
- [28] Zbunjak, Z., Frlan, K., „Prilagodljiva zaštita elektroenergetskog sustava ovisna o uklopnom stanju mreže“, 9. simpozij o sustavu vođenja EES-a, Zadar, 2010.
- [29] Justinić, G., Zbunjak, Z., Fabijanić, A., „Povećanje sigurnosti opskrbe i rasterećenje postojećeg voda DV 110 kV Plomin - Pazin izgradnjom priključnog

DV 110 (2*110) kV za TS 110/20 kV Tupljak“, 9. simpozij o sustavu vođenja EES-a, Zadar, 2010.

- [30] Zbunjak, Z., Frlan, K., Justinić, G., „Očitavanje uređaja relejne zaštite s udaljene lokacije korištenjem kombinirane TCP/RS 485 komunikacije za potrebe analize i vođenja EES-a“, 9. savjetovanje HRO CIGRE, Cavtat, 2009.
- [31] Zbunjak, Z., Višković, A., Valentić, V., „Osnovni razlozi i smjernice reforme elektroenergetskog sustava“, 18. međunarodni elektroinženjerski simpozij, Šibenik, 2009.
- [32] Justinić, G., Zbunjak, Z., Matina, G., „Neselektivna prorada zaštite kao uzrok razaranja u elektroenergetskom sustavu“, 16. međunarodni elektroinženjerski simpozij, Šibenik, 2008.

BIOGRAPHY

Zoran Zbunjak was born in Rijeka, Republic of Croatia, in 1984. He enrolled electrical engineering studies at Faculty of Engineering, University of Rijeka, in 2003 where he graduated in 2008. The first four years of study was awarded by the faculty council for the student of the year prize, and since the second year received the HEP Transmission System Operator scholarship, which is today known as Croatian Transmission System Operator.

Since 2008, at the completion of his graduate study, he has been employed in the Transmission Area Rijeka in the Relay Protection Department where he is involved in maintenance and installation of relay protection devices, analysis of events occurring in the high voltage transmission network, calculation of power flows and short circuits, and application of synchronized phasor measurements in order to develop energy management system. In 2016, he became the head of the department in question, extending his field of work to organizational skills.

From 2008 to 2018, he has worked as an external associate in the title co-assistant of Faculty of Engineering, University of Rijeka at the Department of Power Engineering at various courses: Protection and Automation of Electrical Systems, Power System Control, Electric Motors and Electric Motors Drives.

He is a member of the expert group for relay protection at the Croatian Transmission System Operator. Since 2010, he is a member of team for implementation and permanent use of the program package CAPE for analysis and coordination of relay protection systems at the level of Croatian Transmission System Operator. Since 2015, he has been a member of B5 Protection and Automation Committee at Croatian CIGRE, and since 2019 he is a member of CIGRE association in Paris. Between 2015 and 2018, he was a member of the three-year scientific project SIREN funded by the Croatian Transmission System Operator and the Croatian Science Foundation.

Speaks English.